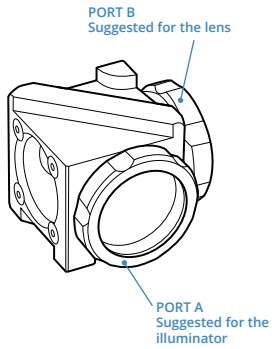


CMBS series

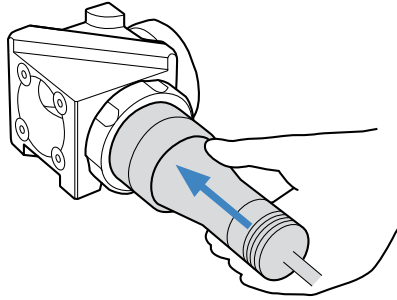
45° beam splitters

! Make sure to perform this procedure in a clean, non-dusty environment in order to prevent dust or other particles from entering the product.

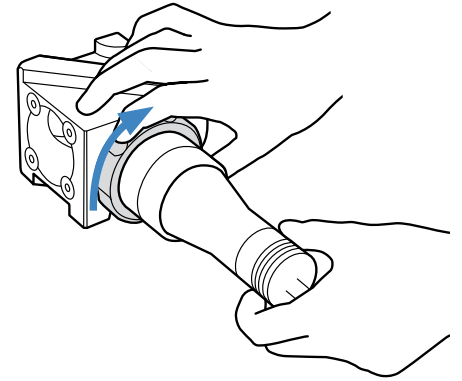
Positioning instructions



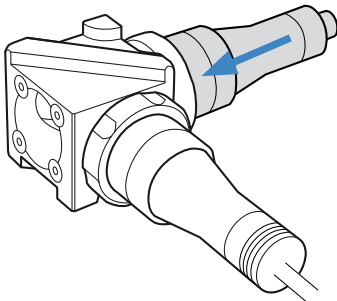
1 CMBS ports layout



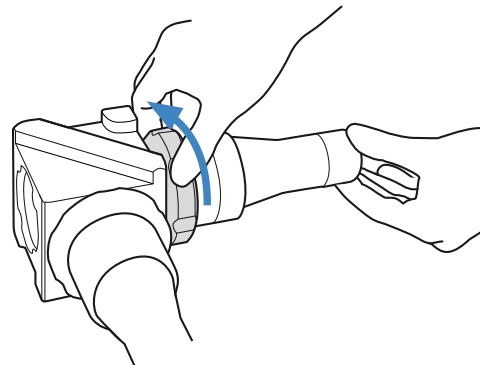
2 Insert the front part of the illuminator into PORT A of CMBS; rotate CMBS until you achieve the desired angular alignment.



3 Push CMBS against the illuminator and tighten the locking ring until it is securely held in place.



4 Insert the front part of the lens into PORT B of CMBS. Adjust the phase of the lens if needed.



4 Push the lens against CMBS and tighten the locking ring until securely held in place.

Additional clamping mechanics are required to adequately support combination of CMBS with telecentric lenses and illuminators. CMHO series clamping mechanics may be used prior to verification of mechanical compatibility (see CMHO series mechanical drawings available online).

CMHO is not compatible with the combination of the following products: CMBS and TC13xxx.