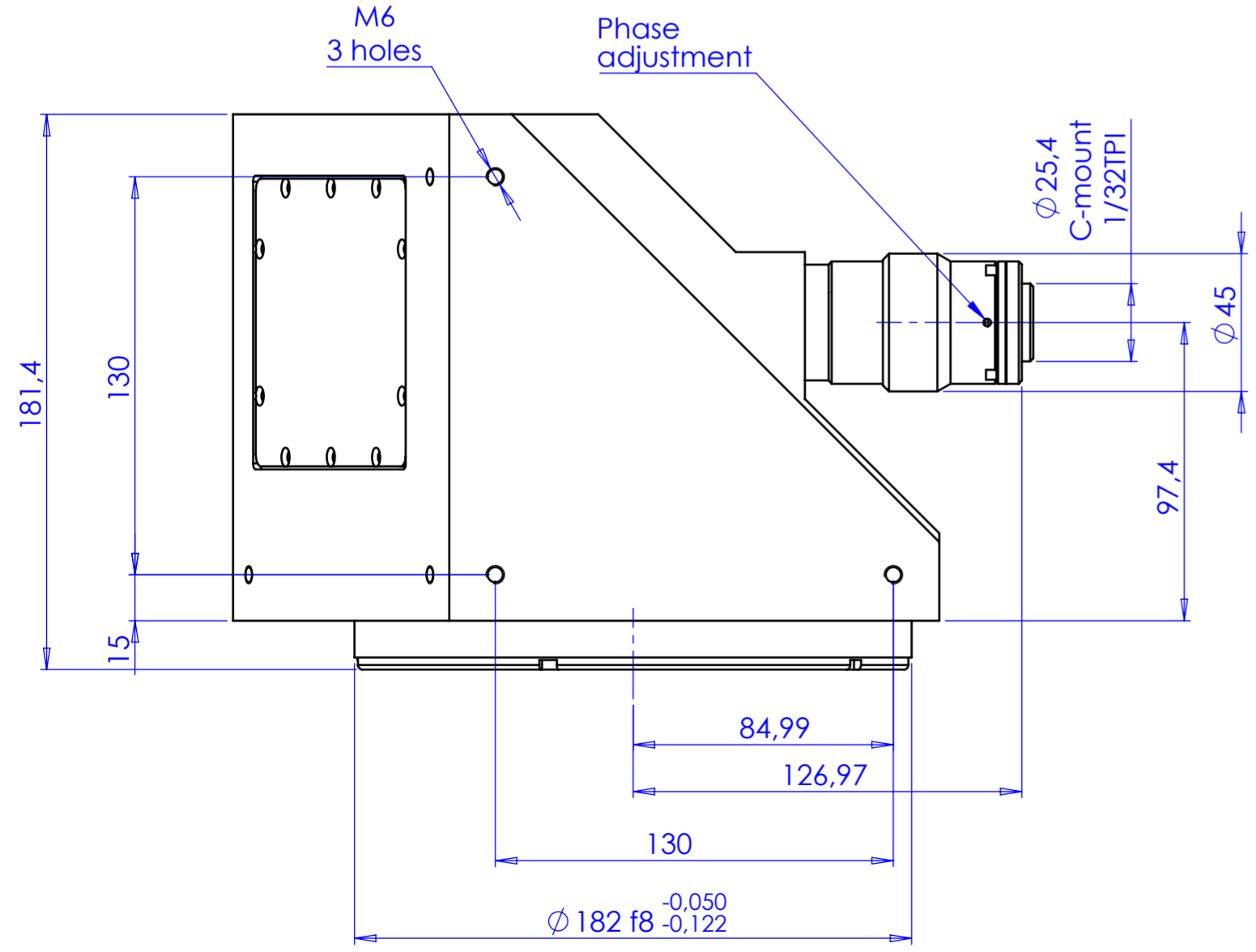
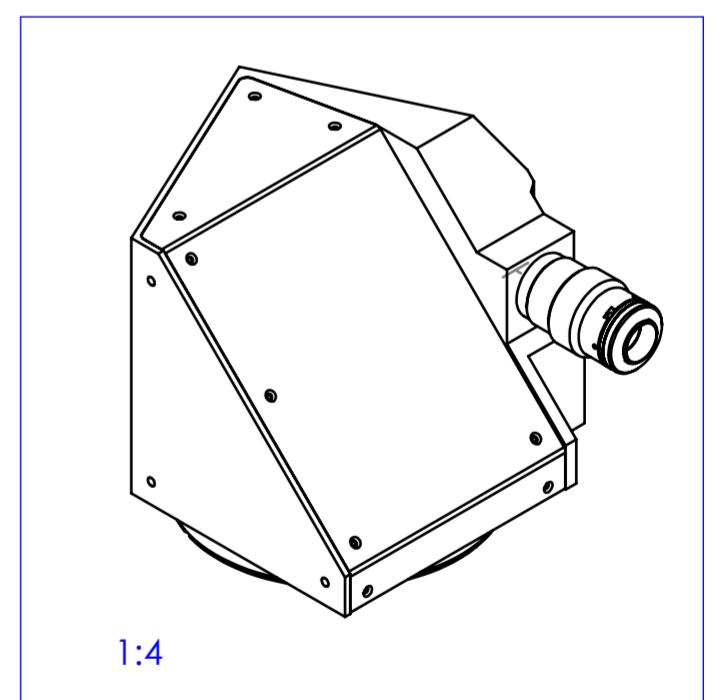
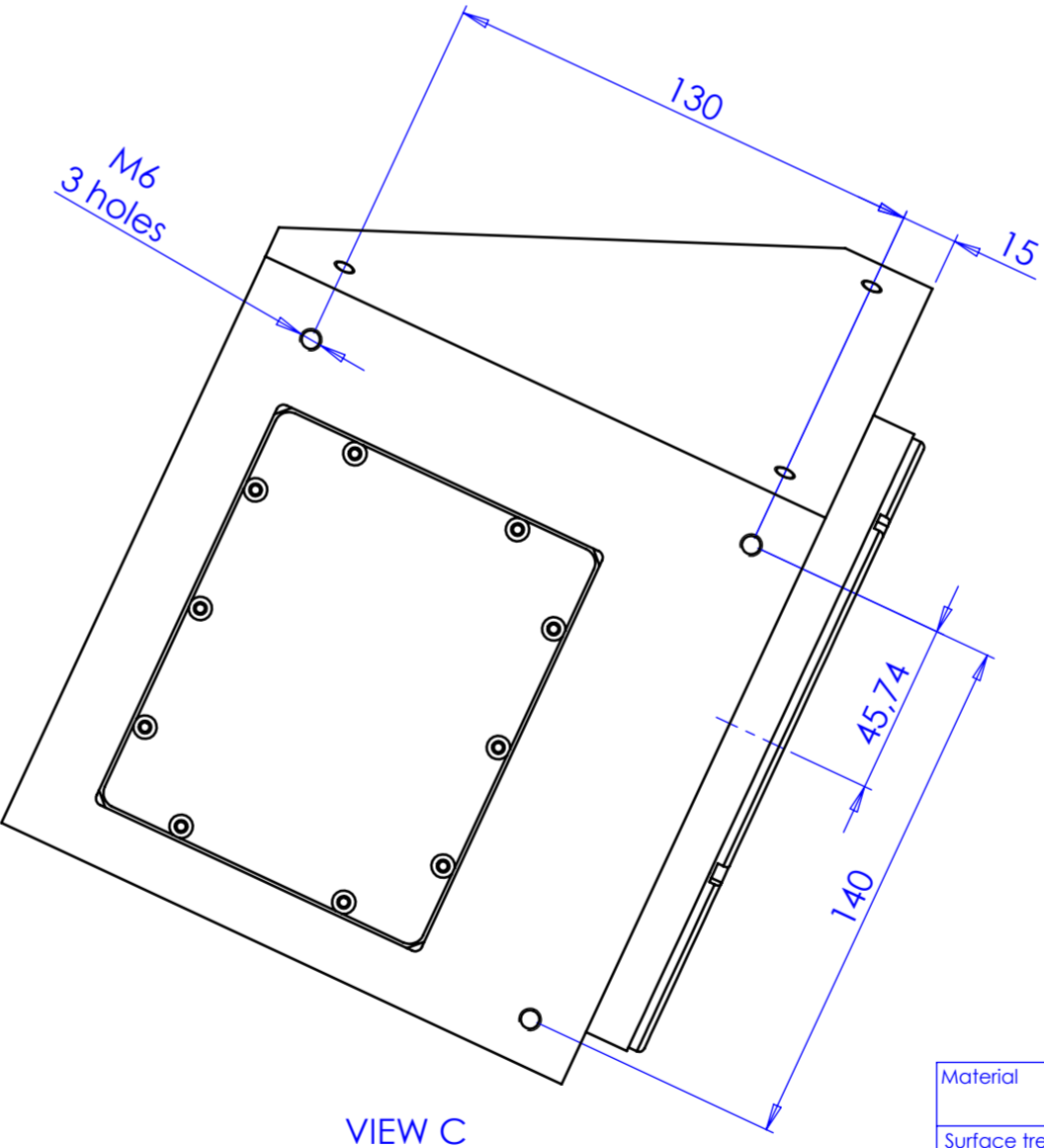
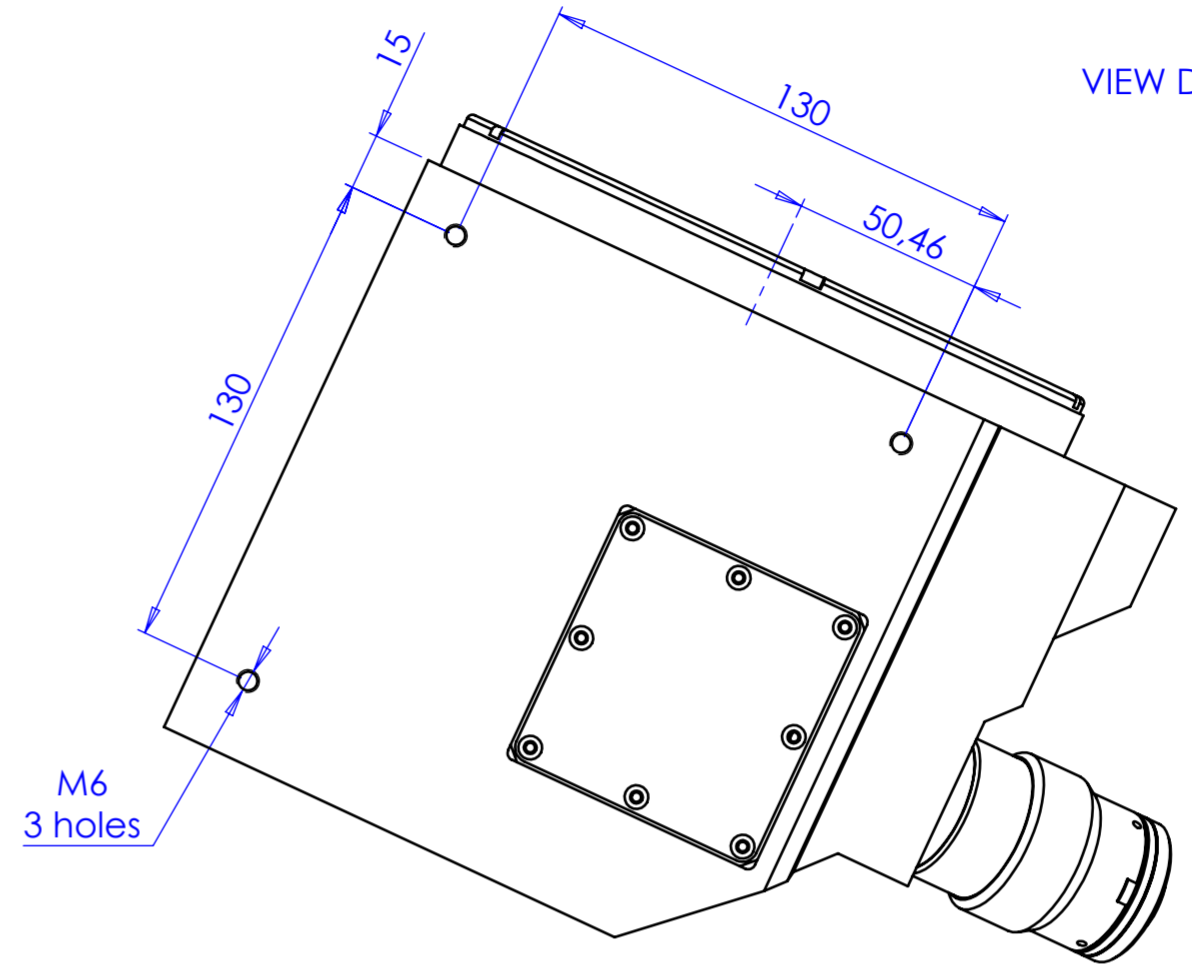
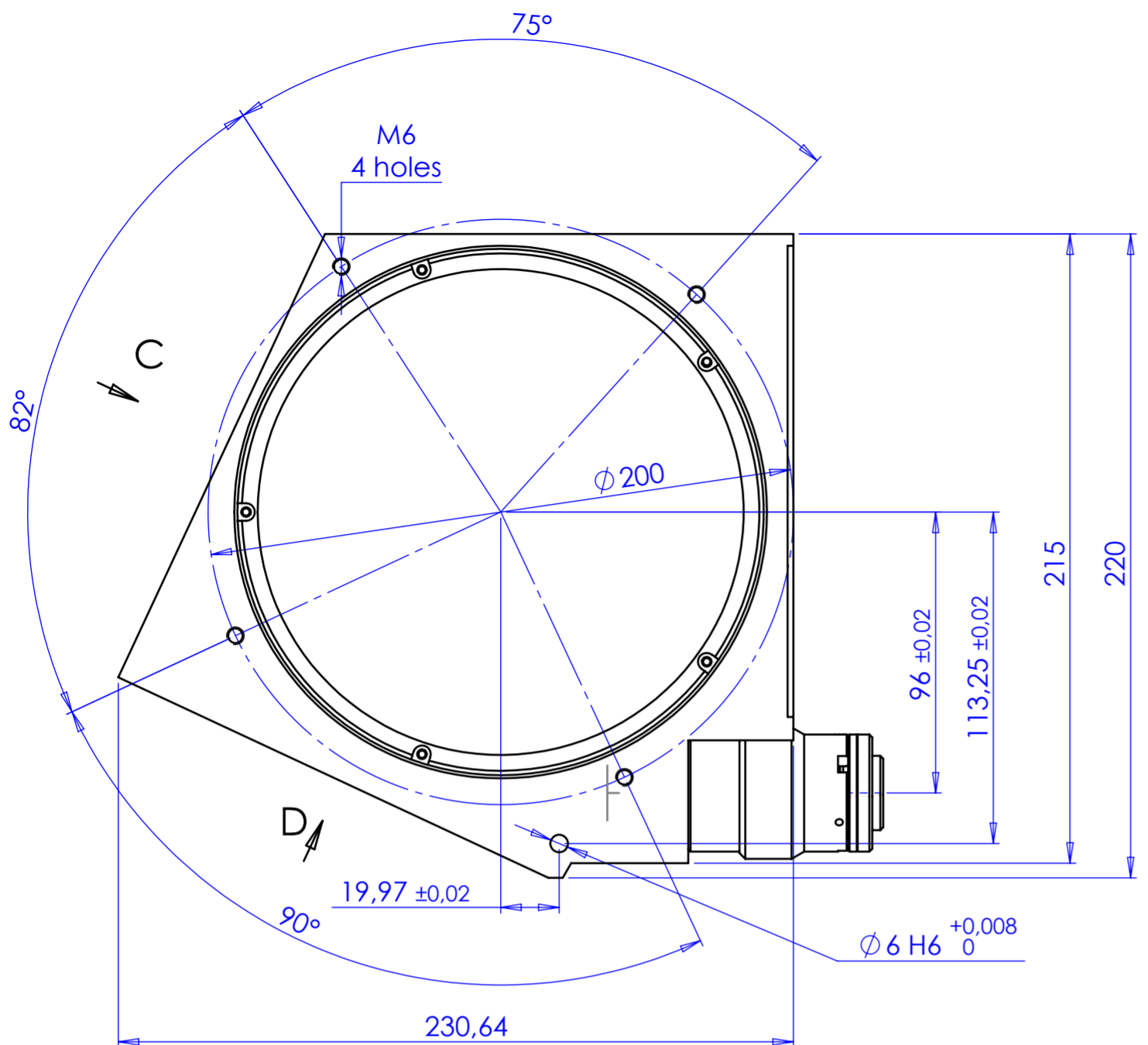


Rev No.	Description	Date	Name



Material	N.A.	Mass	9802 g	Scale	1:2		
Surface treatment	N.A.	Part No.	CO26818				
Geometrical tolerance (ISO 2768-2)	Class	K	Undimensioned bevels	0.5x45°	Description		
Linear tolerance (ISO 2768-2)	Class	m	Undimensioned radii	R 0.5	TCCR2M120-C		
0.5	>3+	>6+	>30+	>120	>400+	>1000	>2000
+3	6	30	120	+400	1000	+2000	+4000
±0.1	±0.1	±0.2	±0.3	±0.5	±0.8	±1.2	±2
Date		Name		Drawing No.			
Designed 14/03/2017		Vasconetto		DP 26818-A			
Drawn 17/04/2018		Rodella		Sheet 1/1			
Checked							
<p>OPTO ENGINEERING S.r.l. - Mantova Italy - Tel. +39 0376 699111 - www.opto-engineering.com</p> <p>Secret and confidential - All rights reserved - No copy, dissemination or circulation is allowed unless specifically authorized in writing by OPTO ENGINEERING S.r.l. - Any violation shall be legally prosecuted.</p>							

