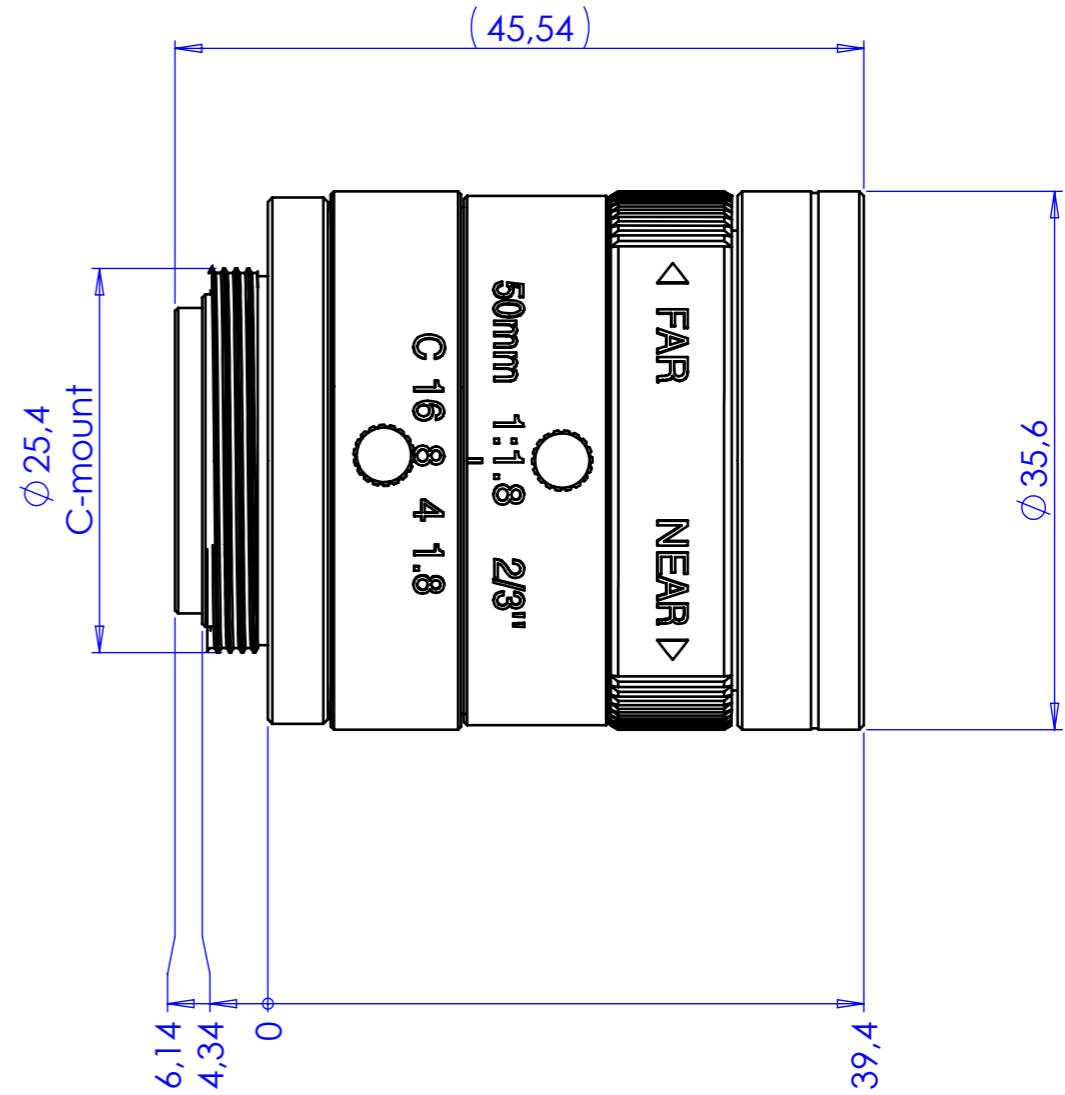
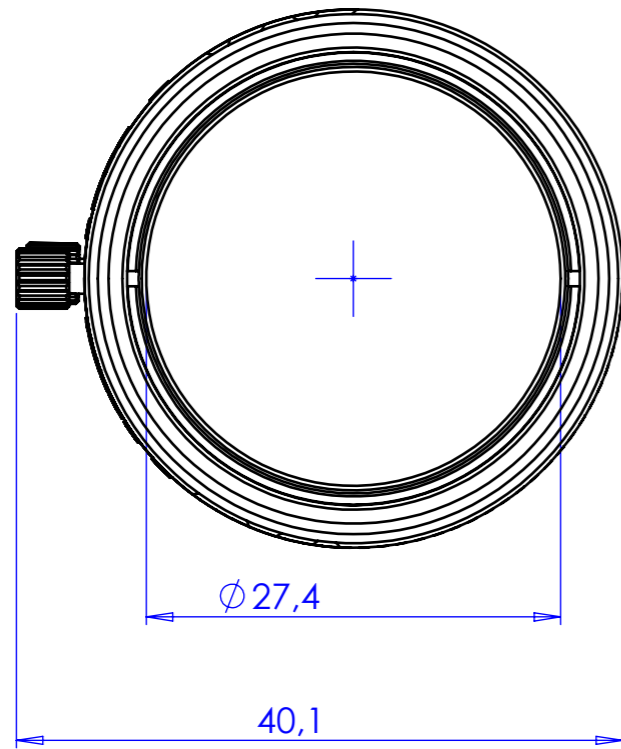


1 2 3 4 5 6 7 8

Rev No.	Description	Date	Name



D
C
B
A

D
C
B
A

Material	N.A.			Mass	13 g	Scale	2:1	
Surface treatment	N.A.			Part No.	COEN2MP5018			
Geometrical tolerance (ISO 2768-2)			Class	K	Description			
Linear tolerance (ISO 2768-2)			Class	m	Undimensioned bevels	0.5x45°	Fix focal EN2MP5018	
0.5 ±3	>3± 6	>6± 30	>30± 120	>120 ±400	>400± 1000	>1000 ±2000		>2000 ±4000
±0.1	±0.1	±0.2	±0.3	±0.5	±0.8	±1.2	±2	
Undimensioned radii			R 0.5		Drawing No.			
			Date	Name	Sheet			
			Designed	13/04/2018	Rodella	EN2MP5018		
			Drawn	13/04/2018	Rodella	1/1		
Checked			<i>Secret and confidential - All rights reserved - No copy, dissemination or circulation is allowed unless specifically authorized in writing by OPTO ENGINEERING S.r.l. - Any violation shall be legally prosecuted.</i>					
OPTO ENGINEERING S.r.l. - Mantova Italy - Tel. +39 0376 699111 - www.opto-engineering.com								

1 2 3 0 1 2 3 4 5 6 7 8 9 10 6 7 8

all dimensions are in mm