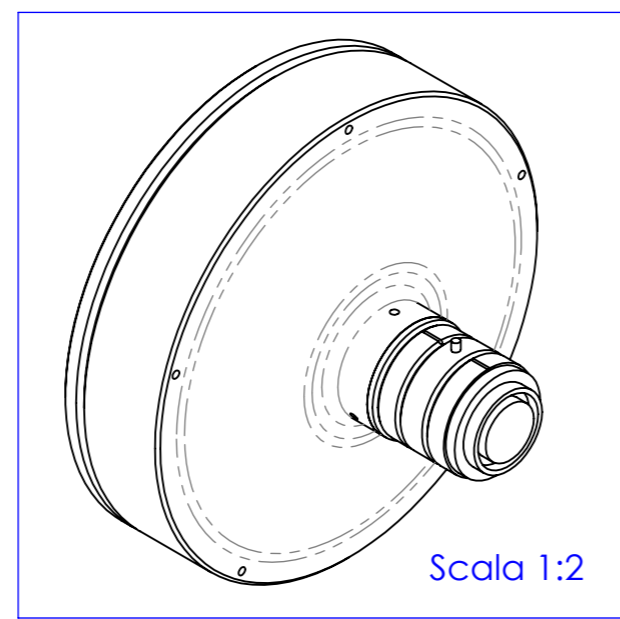
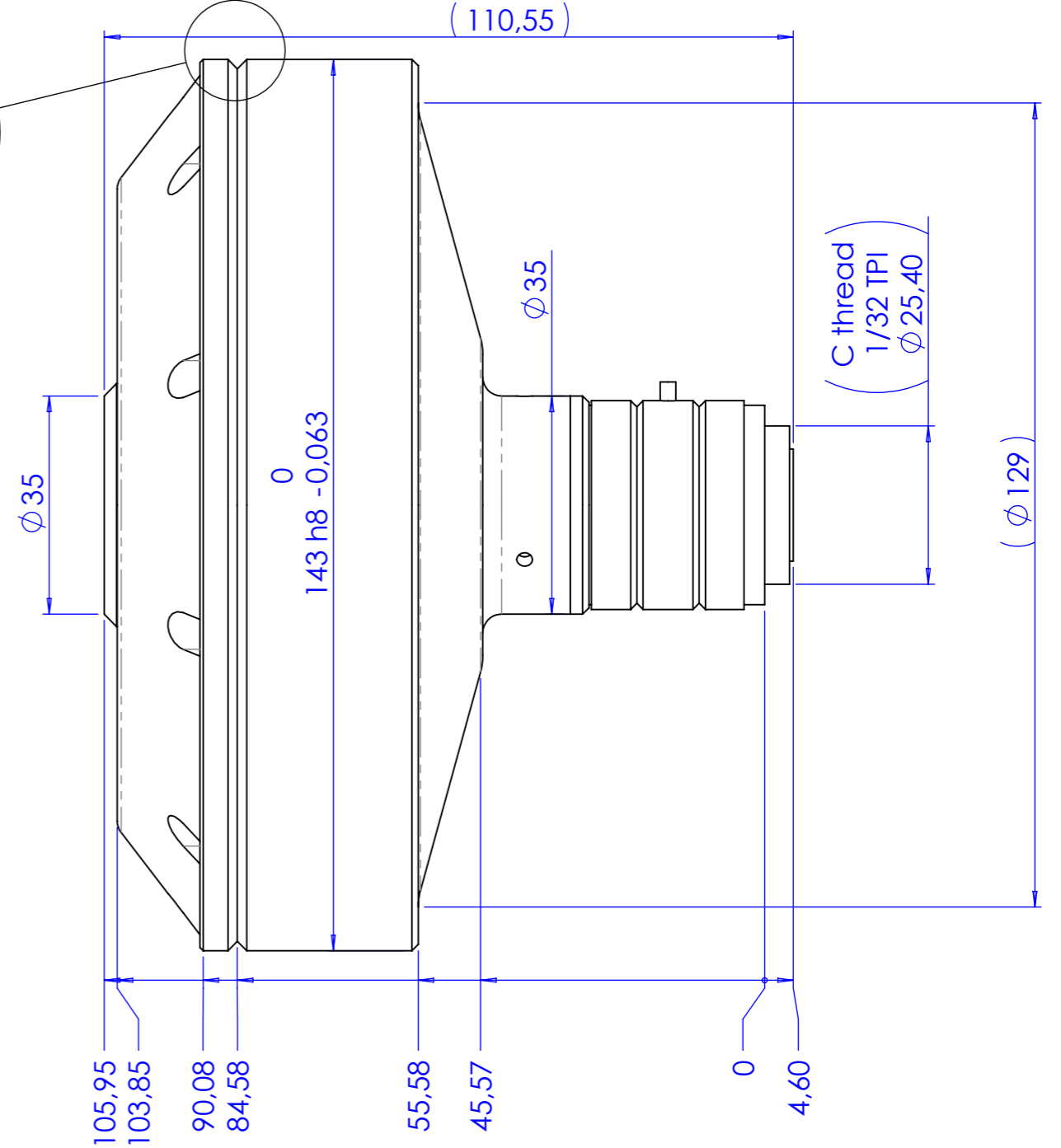


Rev No.	Description	Date	Name



Scala 1:2

Material		N.A.		Mass		g 982		Scale		1:1	
Surface treatment		N.A.		Part No.		CO14400					
Geometrical tolerance (ISO 2768-2)				Class		K		Undimensioned bevels		0,5x45°	
Linear tolerance (ISO 2768-2)				Class		m		Undimensioned radii		R 0,5	
0,5 ±3		>3± 6		>6± 30		>30± 120		>120 ±400		>400± 1000	
±0,1		±0,1		±0,2		±0,3		±0,5		±0,8	
										±1,2	
										±2	
Date				Name		Drawing No.		Sheet			
Designed				22/10/2014		Vasconetto		DP 14400-A		1/1	
Drawn				22/10/2014		Vasconetto		Secret and confidential - All rights reserved - No copy, dissemination or circulation is allowed unless specifically authorized in writing by OPTO ENGINEERING S.r.l. - Any violation shall be legally prosecuted.			
Checked											
OPTO ENGINEERING S.r.l. - Mantova Italy - Tel. +39 0376 699111 - www.opto-engineering.com											

all dimensions are in mm