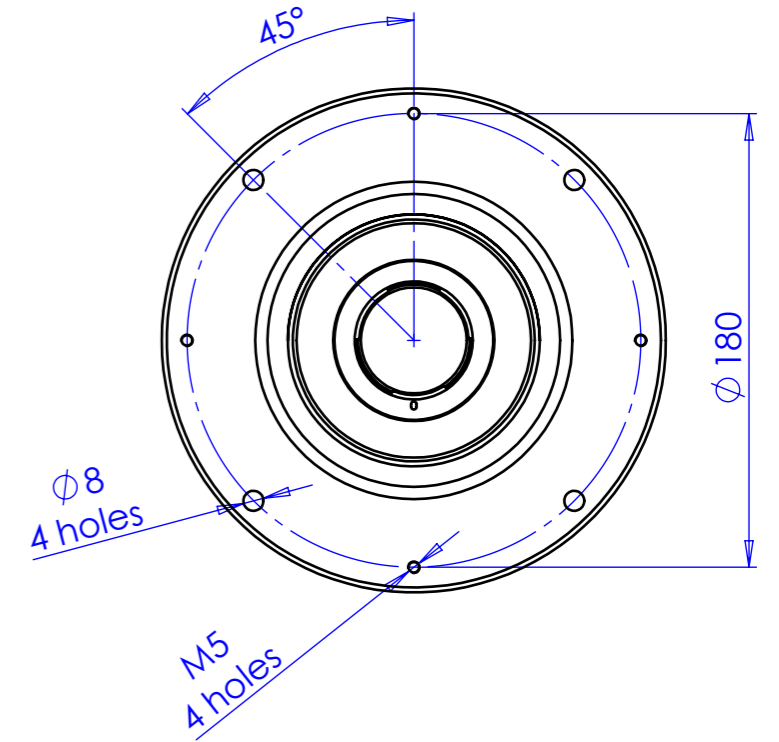
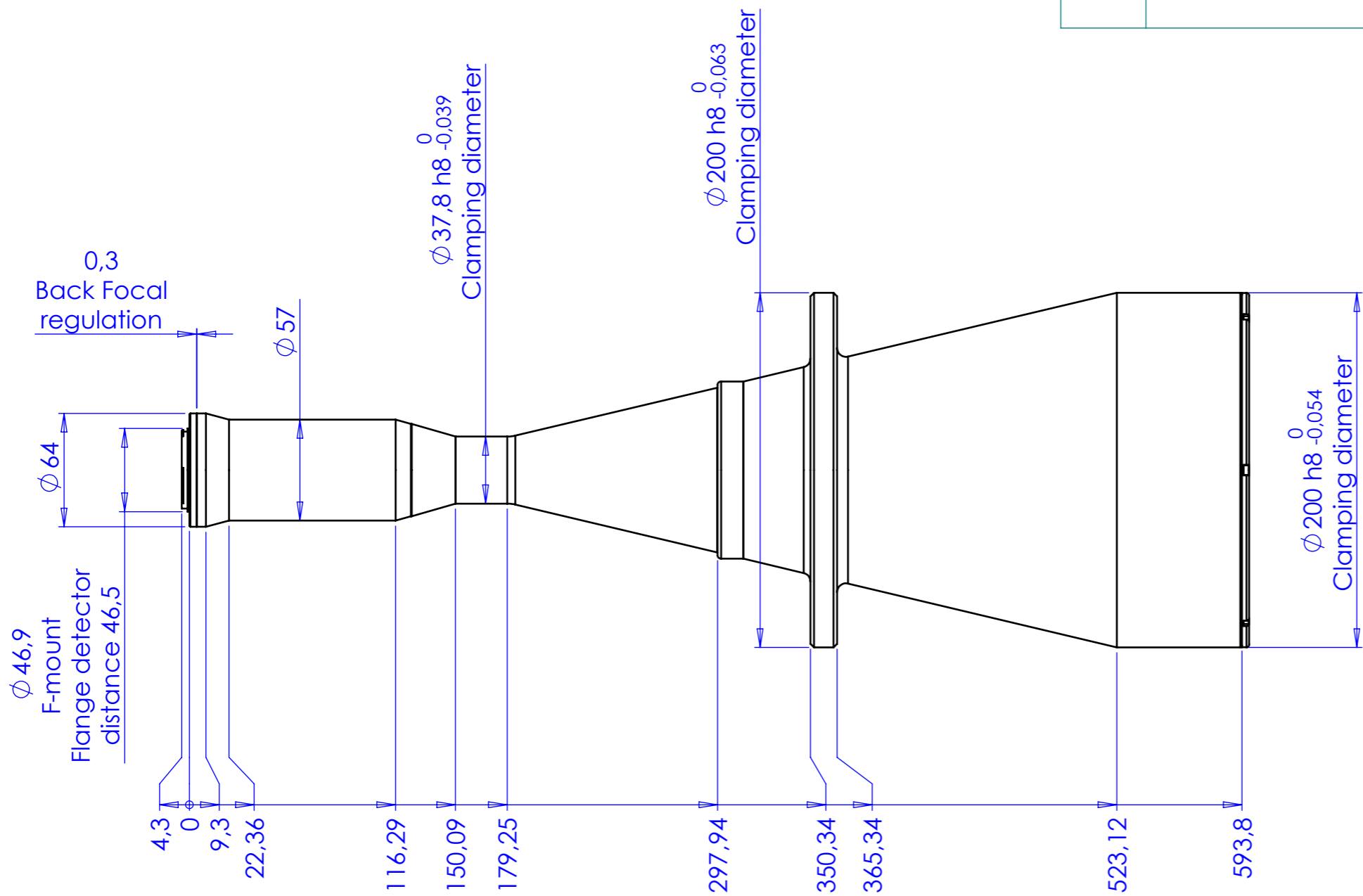



Rev No.	Description	Date	Name



Material	N.A.	Mass	6130 g	Scale	1:3								
Surface treatment	N.A.	Part No.	CO19371										
Geometrical tolerance (ISO 2768-2)	Class	K	Undimensioned bevels	0,5x45°	Description <b>TC16M144-F</b>								
Linear tolerance (ISO 2768-2)	Class	m	Undimensioned radii	R 0,5									
0,5 ±3	>3± 6	>6± 30	>30± 120	>120 ±400	>400± 1000	>1000 ±2000	>2000 ±4000	±2	Date	Name	Drawing No.	Sheet	
±0,1	±0,1	±0,2	±0,3	±0,5	±0,8	±1,2	±2	13/11/2014	Santini	DP 19371 -A	1/1		
										Drawn: 04/05/2015, Rodella Checked:		Drawing No. DP 19371 -A	
all dimensions are in mm OPTO ENGINEERING S.r.l. - Mantova Italy - Tel. +39 0376 699111 - www.opto-engineering.com													
Secret and confidential - All rights reserved - No copy, dissemination or circulation is allowed unless specifically authorized in writing by OPTO ENGINEERING S.r.l. - Any violation shall be legally prosecuted.													