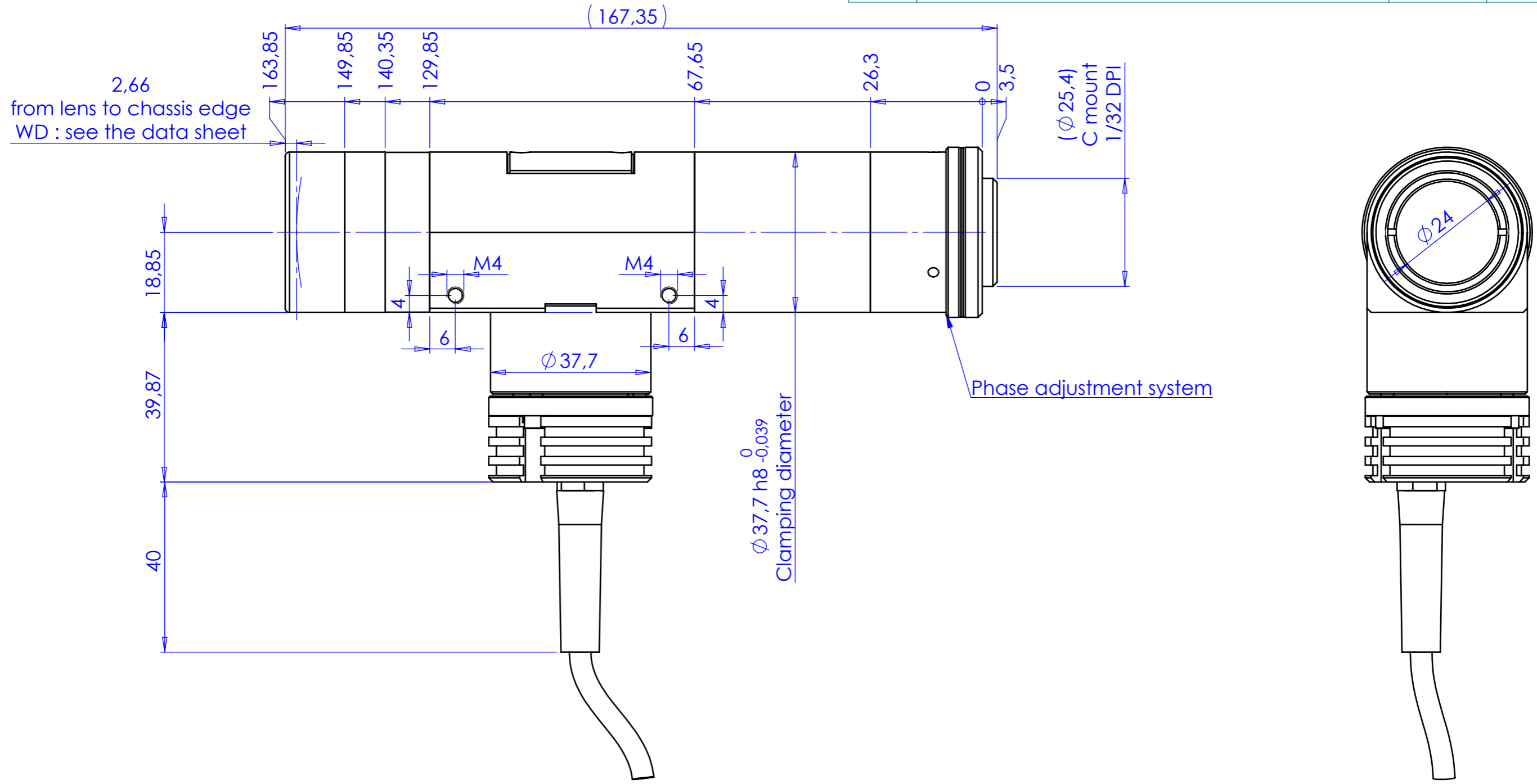


Rev No.	Description	Date	Name



D
C
B
A

D
C
B
A

Material N.A.			Mass 559 g	Scale 1:1																																																						
Surface treatment N.A.			Part No. CO22263																																																							
<table border="1" style="font-size: 8px;"> <thead> <tr> <th colspan="8">Geometrical tolerance (ISO 2768-2)</th> <th>Class</th> <th>K</th> <th rowspan="2">Undimensioned bevels</th> <th rowspan="2">0.5x45°</th> </tr> <tr> <th colspan="8">Linear tolerance (ISO 2768-2)</th> <th>Class</th> <th>m</th> </tr> </thead> <tbody> <tr> <td>0.5</td><td>>3±</td><td>>6±</td><td>>30±</td><td>>120</td><td>>400±</td><td>>1000</td><td>>2000</td> <td></td><td></td> <td rowspan="2">R 0.5</td> </tr> <tr> <td>±3</td><td>6</td><td>30</td><td>120</td><td>±400</td><td>±1000</td><td>±2000</td><td>±4000</td> <td></td><td></td> </tr> <tr> <td>±0.1</td><td>±0.1</td><td>±0.2</td><td>±0.3</td><td>±0.5</td><td>±0.8</td><td>±1.2</td><td>±2</td> <td></td><td></td> <td></td> </tr> </tbody> </table>			Geometrical tolerance (ISO 2768-2)								Class	K	Undimensioned bevels	0.5x45°	Linear tolerance (ISO 2768-2)								Class	m	0.5	>3±	>6±	>30±	>120	>400±	>1000	>2000			R 0.5	±3	6	30	120	±400	±1000	±2000	±4000			±0.1	±0.1	±0.2	±0.3	±0.5	±0.8	±1.2	±2				Description TCCX 250	
Geometrical tolerance (ISO 2768-2)								Class	K	Undimensioned bevels	0.5x45°																																															
Linear tolerance (ISO 2768-2)								Class	m																																																	
0.5	>3±	>6±	>30±	>120	>400±	>1000	>2000			R 0.5																																																
±3	6	30	120	±400	±1000	±2000	±4000																																																			
±0.1	±0.1	±0.2	±0.3	±0.5	±0.8	±1.2	±2																																																			
<p>OPTO ENGINEERING S.r.l. - Mantova Italy - Tel. +39 0376 699111 - www.opto-engineering.com</p>			Drawing No. DP 22263-A		Sheet 1/1																																																					
			Date 20/03/2014		Name A.Vasconetto																																																					
			Designed		Drawn																																																					
<p style="font-size: 8px;">Secret and confidential - All rights reserved - No copy, dissemination or circulation is allowed unless specifically authorized in writing by OPTO ENGINEERING S.r.l. - Any violation shall be legally prosecuted.</p>																																																										