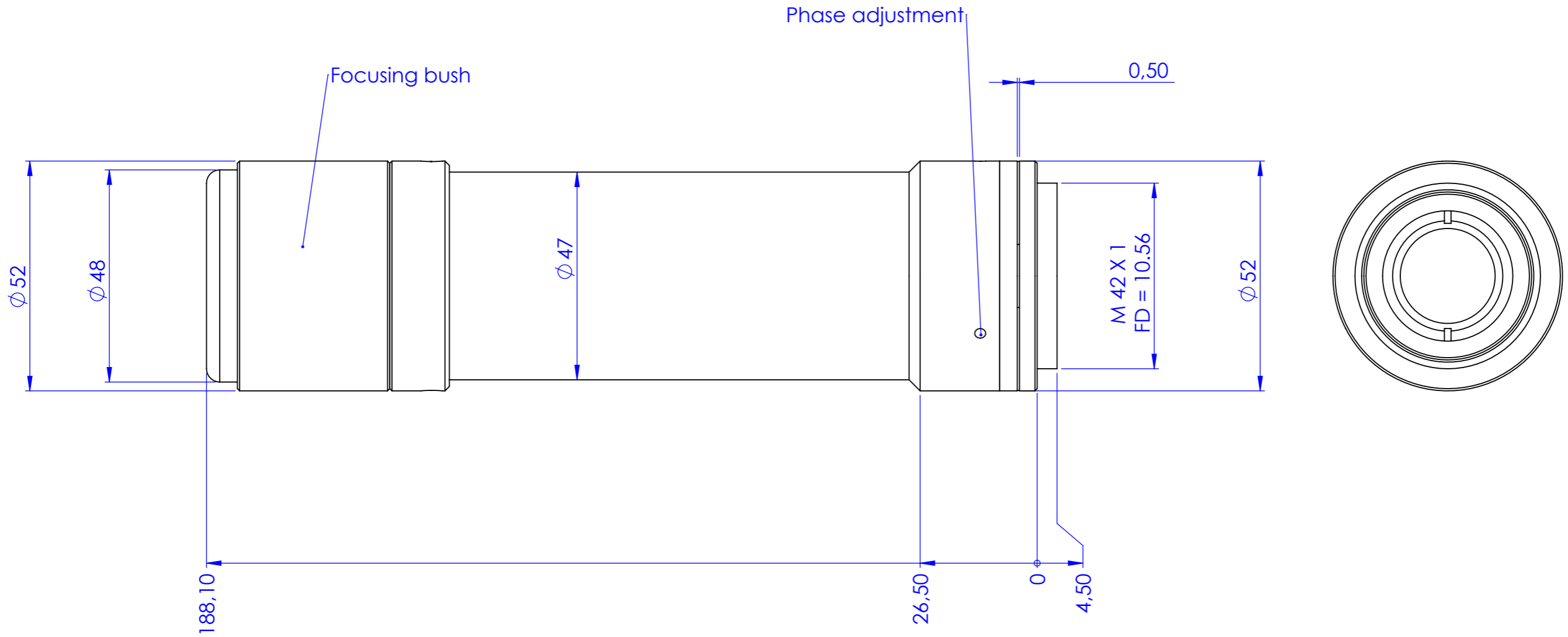


Rev No.	Description	Date	Name



Material		N.A.		Mass		590.77 g		Scale		1:1			
Surface treatment		N.A.		Part No.		CO23010							
Geometrical tolerance (ISO 2768-2)								Class		K			
Linear tolerance (ISO 2768-2)								Class		m			
0.5	>3÷	>6÷	>30÷	>120	>400÷	>1000	>2000	Undimensioned bevels		0.5x45°			
±3	6	30	120	±400	±1000	±2000	±4000	Undimensioned radii		R 0.5			
±0.1	±0.1	±0.2	±0.3	±0.5	±0.8	±1.2	±2	Date		Name			
 OPTO ENGINEERING <small>THE TELECENTRIC COMPANY</small>								Designed		04/06/2014		Bna	
								Drawn		19/06/2014		Bna	
								Checked					
OPTO ENGINEERING S.r.l. - Mantova Italy - Tel. +39 0376 699111 - www.opto-engineering.com								Drawing No.		Sheet			
								DP 23010-A		1/1			
<small>Secret and confidential - All rights reserved - No copy, dissemination or circulation is allowed unless specifically authorized in writing by OPTO ENGINEERING S.r.l. - Any violation shall be legally prosecuted.</small>													

all dimensions are in mm