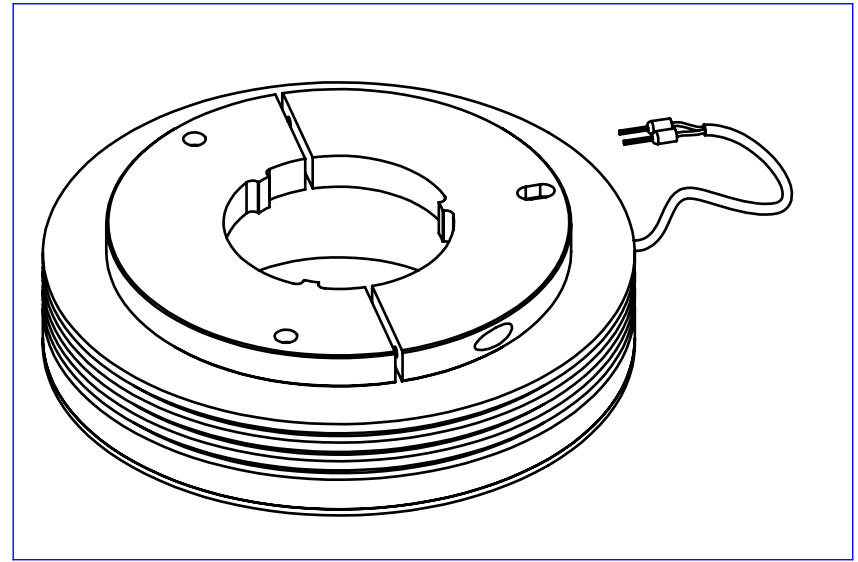
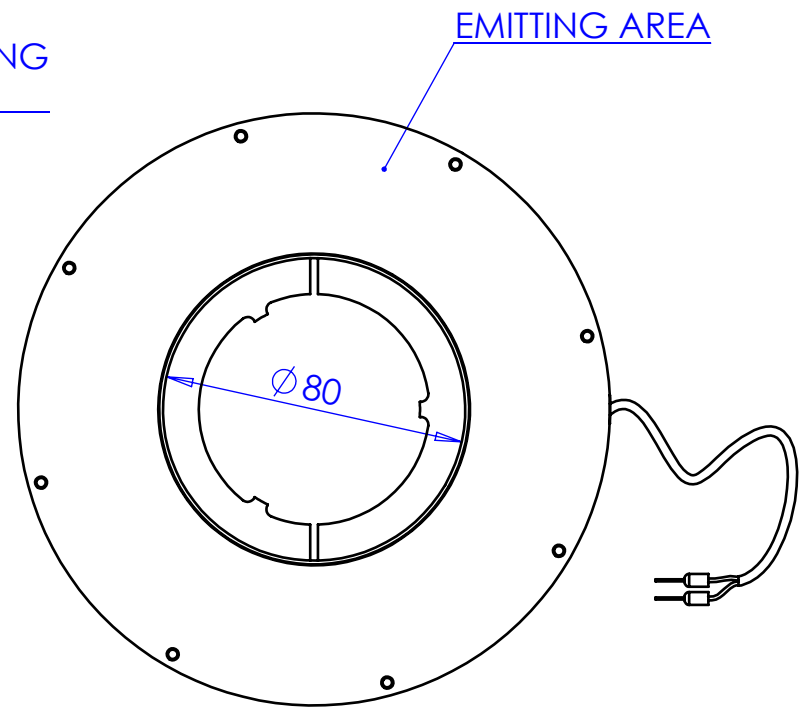
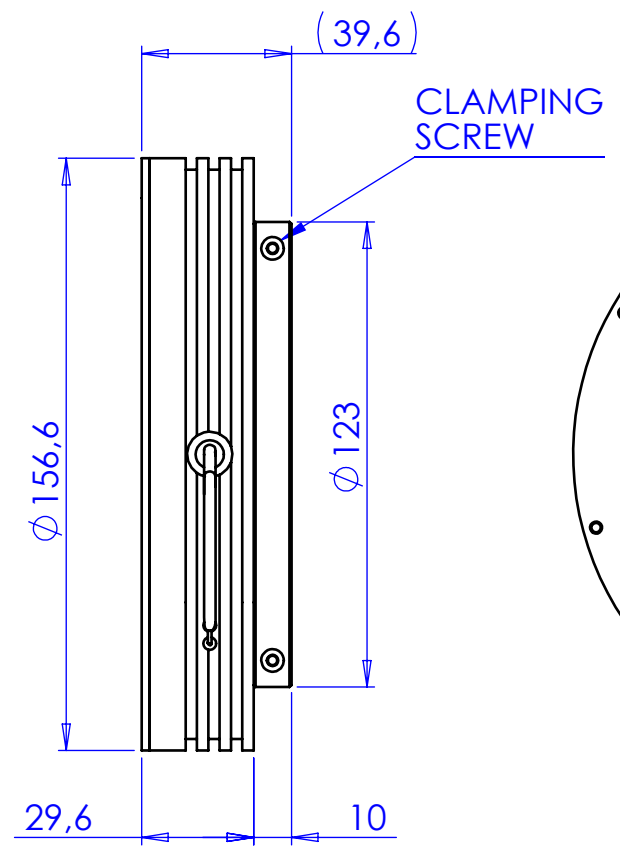
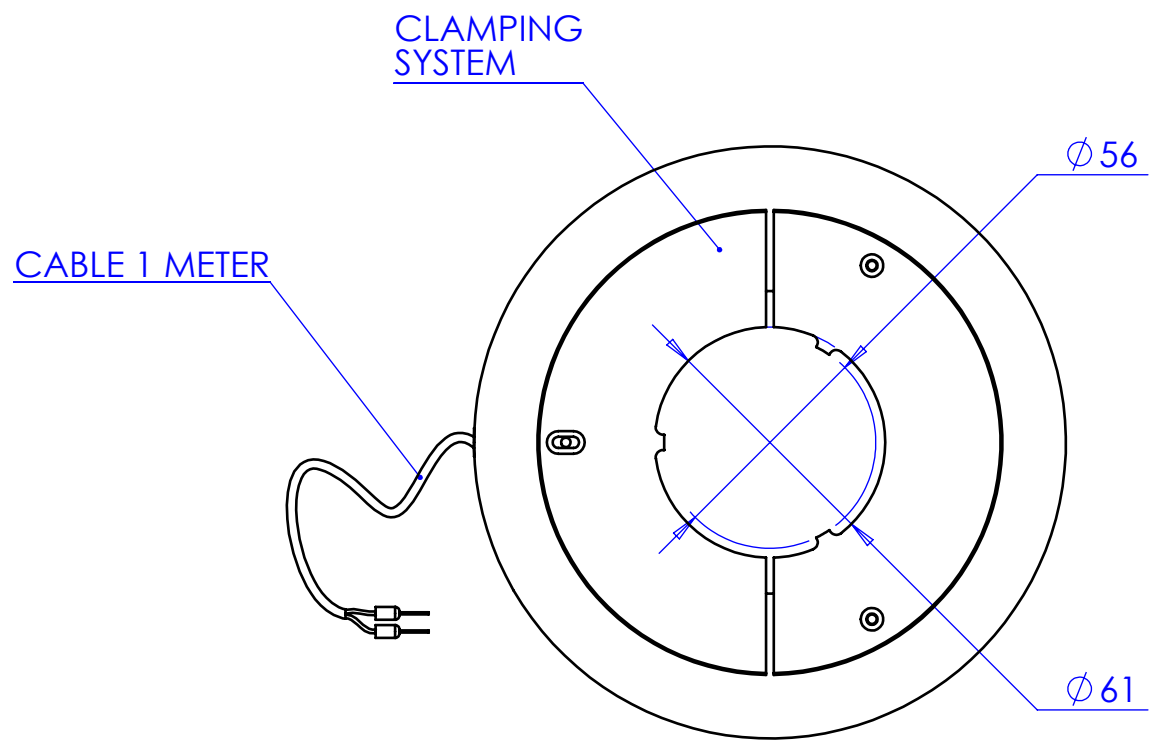


1 2 3 4 5 6 7 8

Rev No.	Description	Date	Name



Material	N.A.		Mass	301 g	Scale	1:2
Surface treatment	N.A.		Part No.	CO23434		
Geometrical tolerance (ISO 2768-2)			Class	K	Undimensioned bevels	0,5x45°
Linear tolerance (ISO 2768-2)			Class	m	Undimensioned radii	R 0.5
0.5	>3±	>6±	>30±	>120	>400±	>1000
±3	6	30	120	±400	1000	±2000
±0.1	±0.1	±0.2	±0.3	±0.5	±0.8	±1.2
±2	±2	±2	±2	±2	±2	±2
Description			LTRN032BL			
Drawing No.			DP 23434-A			
Date			Name			
Designed			16/12/2014			
Drawn			16/12/2014			
Checked			Rodella			
Sheet			1/1			
Secret and confidential - All rights reserved - No copy, dissemination or circulation is allowed unless specifically authorized in writing by OPTO ENGINEERING S.r.l. - Any violation shall be legally prosecuted.						

all dimensions are in mm



OPTO ENGINEERING S.r.l. - Mantova Italy - Tel. +39 0376 699111 - www.opto-engineering.com

1 2 3 0 1 2 3 4 5 6 7 8 9 10 6 7 8