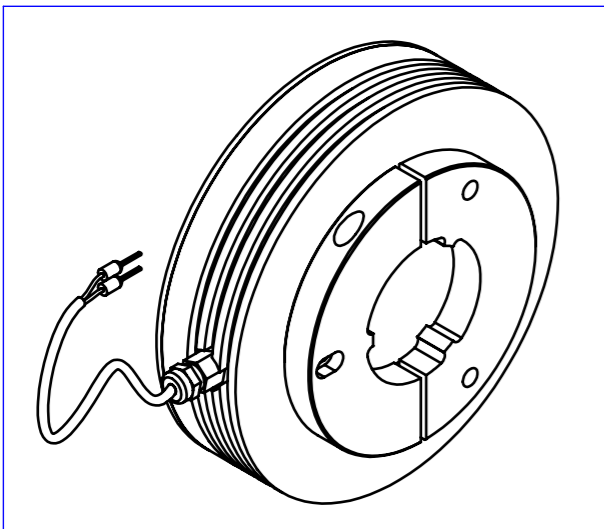
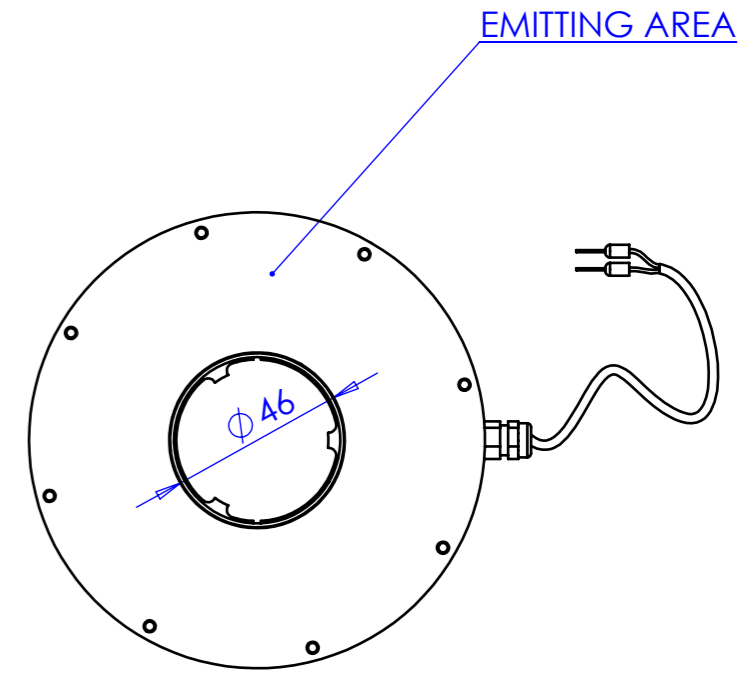
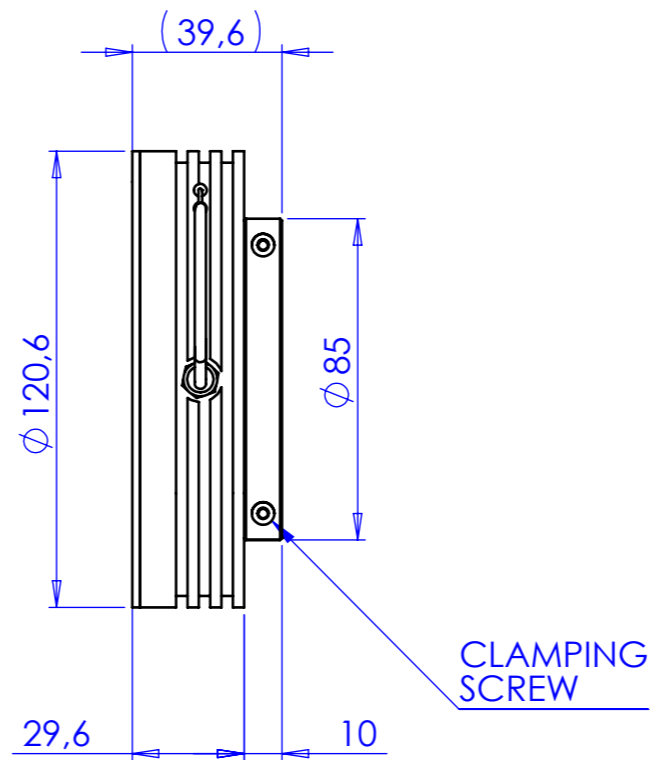
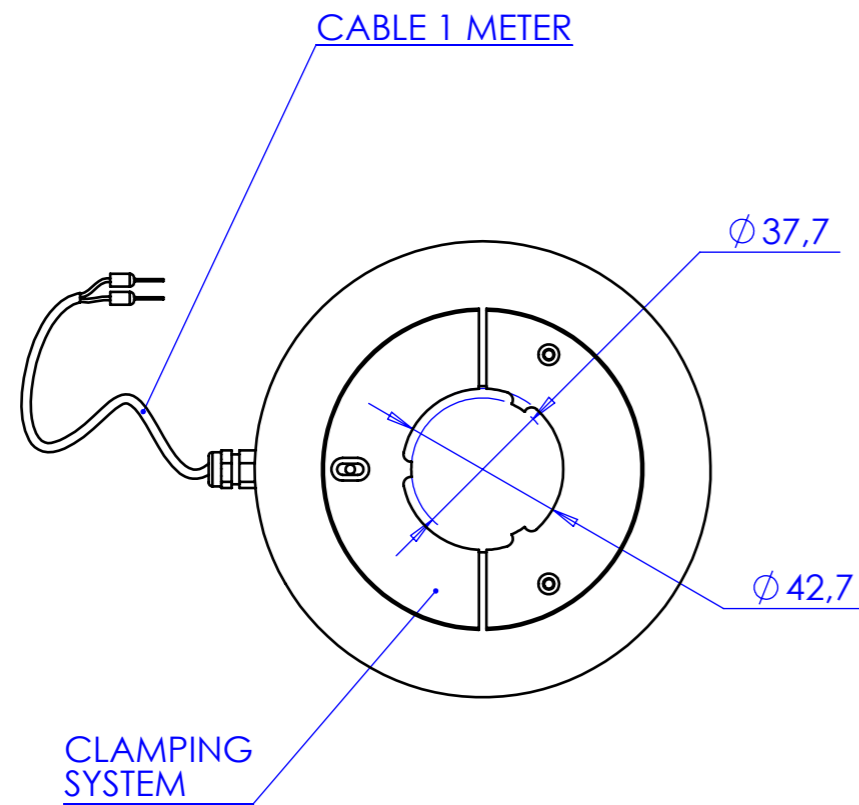


| Rev No. | Description | Date | Name |
|---------|-------------|------|------|
| | | | |
| | | | |
| | | | |



| | | | | | | | |
|--------------------------------------------------------------------------------------------------|------|------|----------|------------|----------------------|-------------|---------------------------------------------------------------------------------------------------------------------------------------------------------------------------------------------------------------------------|
| Material | N.A. | | Mass | 192 g | Scale | 1:2 | |
| Surface treatment | N.A. | | Part No. | CO23436 | | | |
| Geometrical tolerance (ISO 2768-2) | | | Class | K | Undimensioned bevels | 0.5x45° | |
| Linear tolerance (ISO 2768-2) | | | Class | m | Undimensioned radii | R 0.5 | |
| 0.5 | >3 | >6 | >30 | >120 | >400 | >1000 | >2000 |
| ±3 | 6 | 30 | 120 | ±400 | 1000 | ±2000 | ±4000 |
| ±0.1 | ±0.1 | ±0.2 | ±0.3 | ±0.5 | ±0.8 | ±1.2 | ±2 |
| all dimensions are in mm | | | Date | Name | | Drawing No. | Sheet |
| | | | Designed | 16/12/2014 | Rodella | DP 23436-A | 1/1 |
| | | | Drawn | 16/12/2014 | Rodella | | |
| | | | Checked | | | | |
| OPTO ENGINEERING S.r.l. - Mantova Italy - Tel. +39 0376 699111 - www.opto-engineering.com | | | | | | | <i>Secret and confidential - All rights reserved - No copy, dissemination or circulation is allowed unless specifically authorized in writing by OPTO ENGINEERING S.r.l. - Any violation shall be legally prosecuted.</i> |