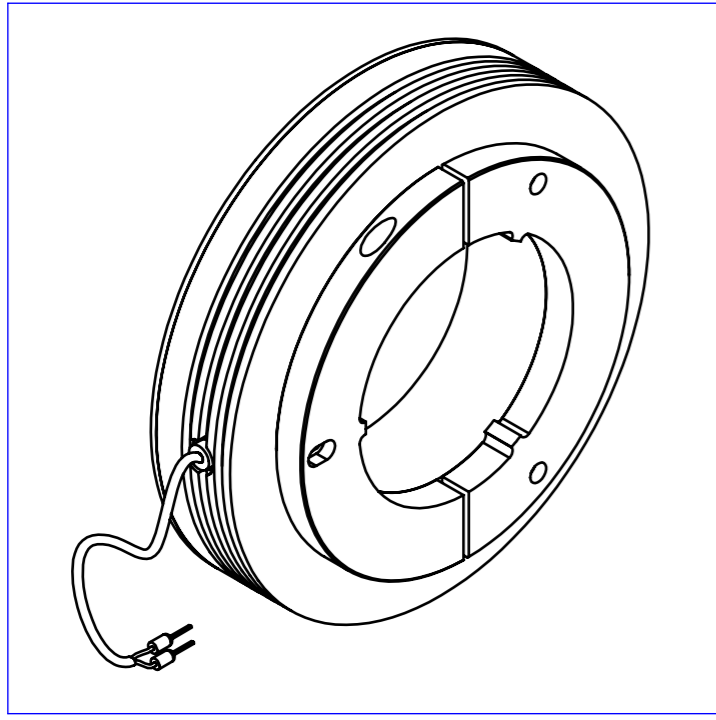
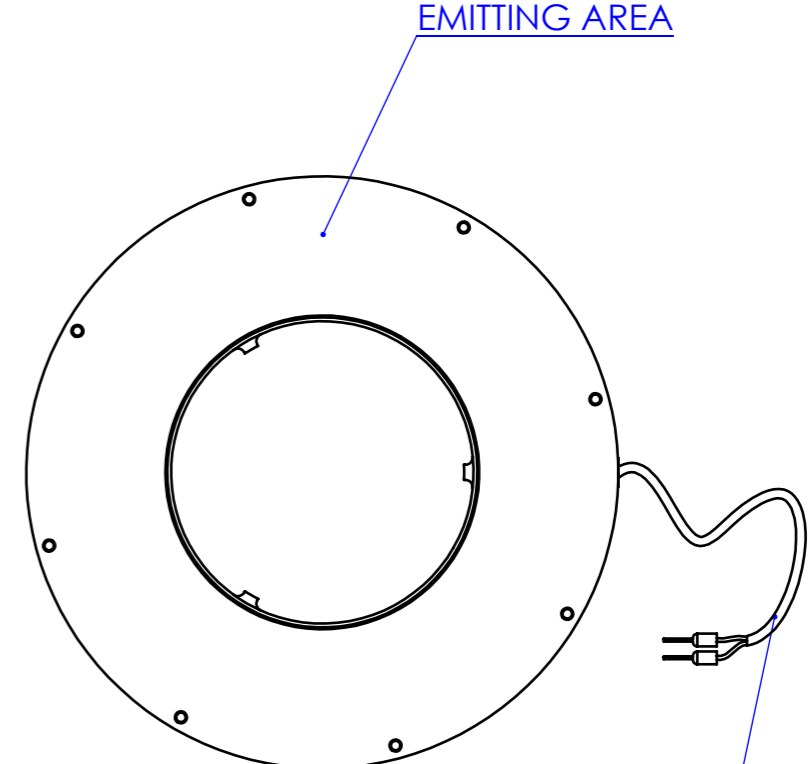
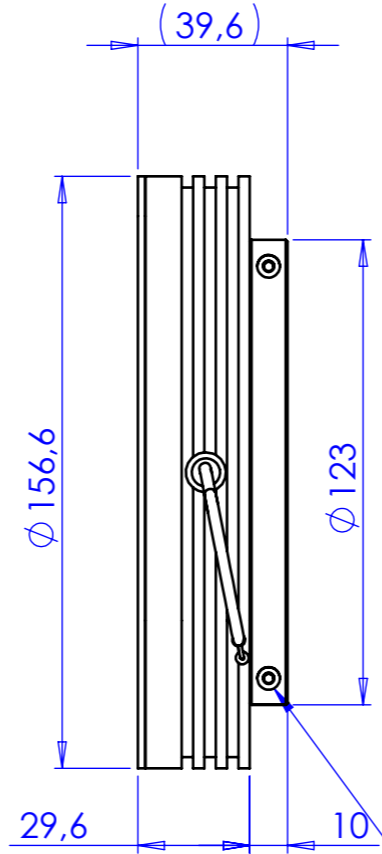
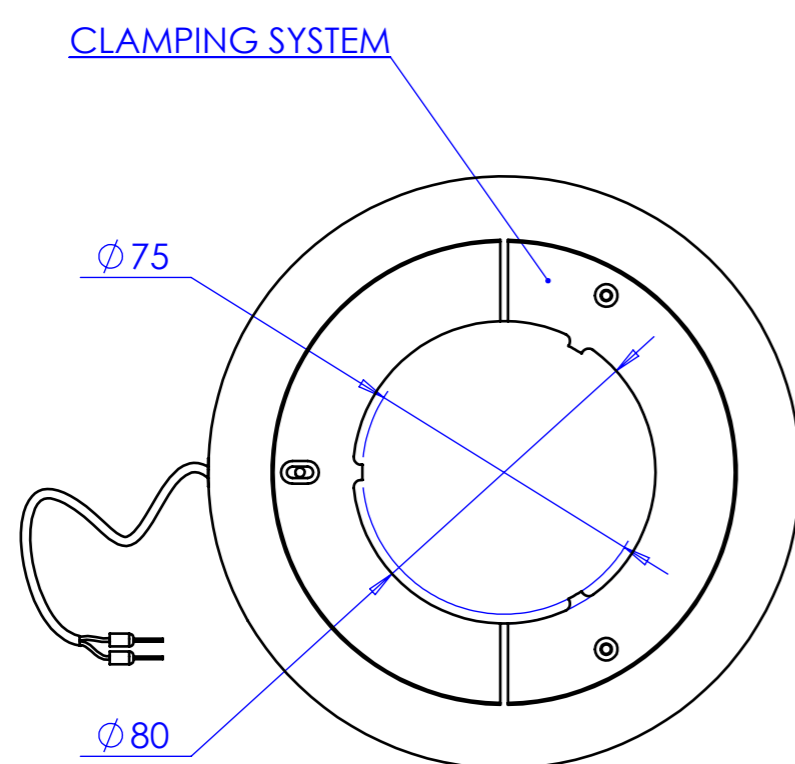


1 2 3 4 5 6 7 8

Rev No.	Description	Date	Name



CLAMPING SCREW

CABLE 1 METER

Material	N.A.	Mass	281 g	Scale	1:2
Surface treatment	N.A.	Part No.	CO23450		
Geometrical tolerance (ISO 2768-2)		Class	K	Undimensioned bevels	0.5x45°
Linear tolerance (ISO 2768-2)		Class	m	Undimensioned radii	R 0.5
0.5 ±0.1	>3÷6 ±0.1	>6÷30 ±0.2	>30÷120 ±0.3	>120 ±0.5	>400±1000 ±0.8
>1000 ±2000 ±1.2	>2000 ±4000 ±2	Date		Name	
		Designed	16/12/2014	Rodella	
<b>OPTO ENGINEERING S.r.l. - Mantova Italy - Tel. +39 0376 699111 - www.opto-engineering.com</b>		Drawn	18/12/2014	Rodella	
all dimensions are in mm		Checked			
Description			Drawing No.	Sheet	
LTRN048BL			DP 23450-A	1/1	
<i>Secret and confidential - All rights reserved - No copy, dissemination or circulation is allowed unless specifically authorized in writing by OPTO ENGINEERING S.r.l. - Any violation shall be legally prosecuted.</i>					

1 2 3 4 5 6 7 8

0 1 2 3 4 5 6 7 8 9 10