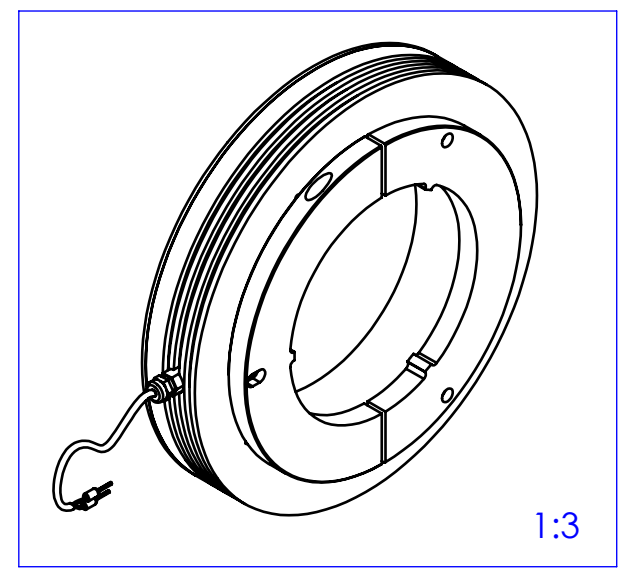
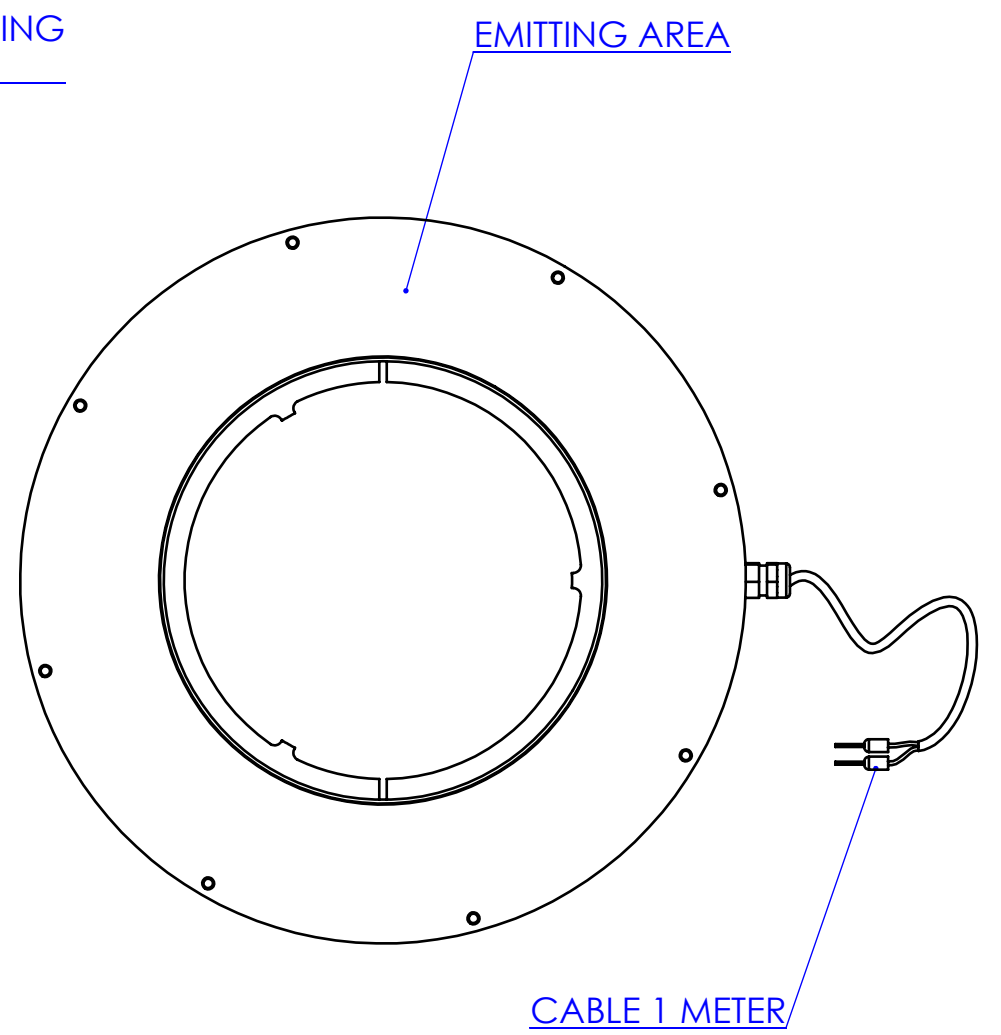
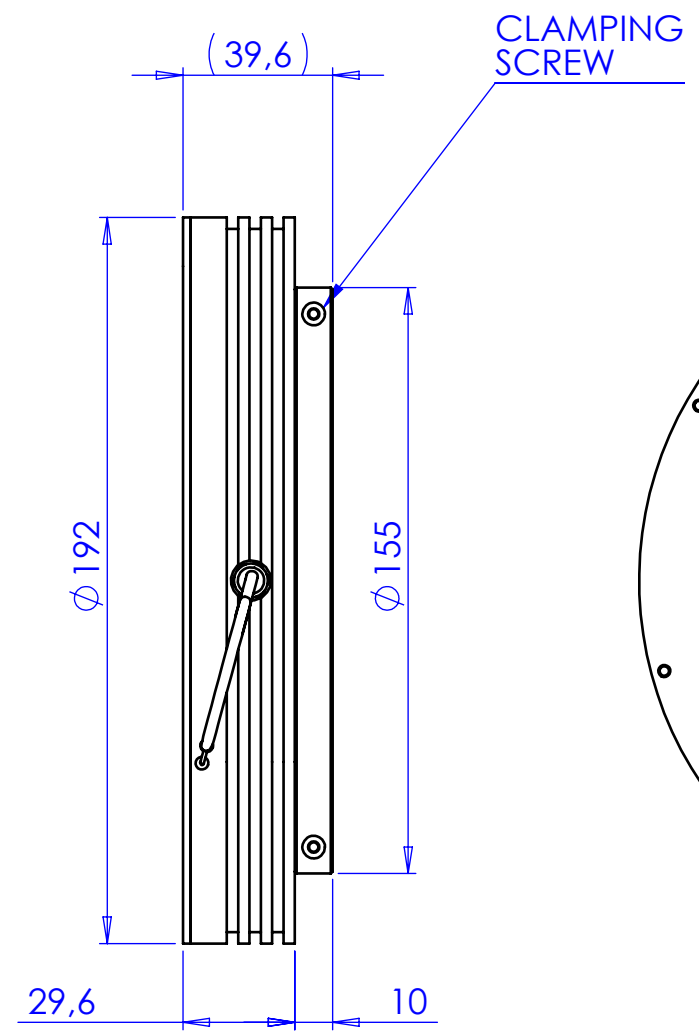
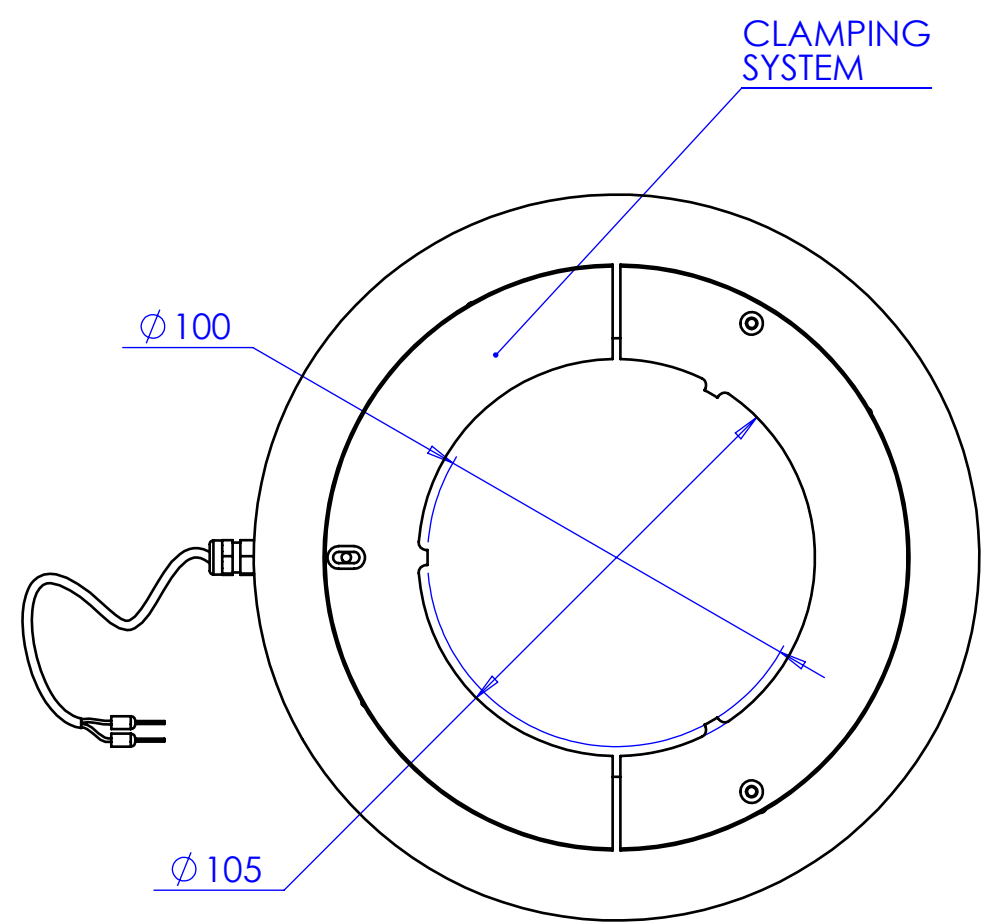


1 2 3 4 5 6 7 8

Rev No.	Description	Date	Name



Material	N.A.	Mass	381 g	Scale	1:2
Surface treatment	N.A.	Part No.	CO23458		
Geometrical tolerance (ISO 2768-2)		Class	K	Undimensioned bevels	0.5x45°
Linear tolerance (ISO 2768-2)		Class	m	Undimensioned radii	R 0.5
0.5 ±3	>3± 6	>6± 30	>30± 120	>120 ±400	>400± 1000
±0.1	±0.1	±0.2	±0.3	±0.5	±0.8
					>1000 ±2000
					±4000
					±2
		Date	Name		
		Designed	Rodella		
		Drawn	Rodella		
		Checked			
		Date	Name		
		Designed	Rodella		
		Drawn	Rodella		
		Checked			
		Date	Name		
		Designed	Rodella		
		Drawn	Rodella		
		Checked			
		Date	Name		
		Designed	Rodella		
		Drawn	Rodella		
		Checked			
		Date	Name		
		Designed	Rodella		
		Drawn	Rodella		
		Checked			
		Date	Name		
		Designed	Rodella		
		Drawn	Rodella		
		Checked			
		Date	Name		
		Designed	Rodella		
		Drawn	Rodella		
		Checked			
		Date	Name		
		Designed	Rodella		
		Drawn	Rodella		
		Checked			
		Date	Name		
		Designed	Rodella		
		Drawn	Rodella		
		Checked			
		Date	Name		
		Designed	Rodella		
		Drawn	Rodella		
		Checked			
		Date	Name		
		Designed	Rodella		
		Drawn	Rodella		
		Checked			
		Date	Name		
		Designed	Rodella		
		Drawn	Rodella		
		Checked			
		Date	Name		
		Designed	Rodella		
		Drawn	Rodella		
		Checked			
		Date	Name		
		Designed	Rodella		
		Drawn	Rodella		
		Checked			
		Date	Name		
		Designed	Rodella		
		Drawn	Rodella		
		Checked			
		Date	Name		
		Designed	Rodella		
		Drawn	Rodella		
		Checked			
		Date	Name		
		Designed	Rodella		
		Drawn	Rodella		
		Checked			
		Date	Name		
		Designed	Rodella		
		Drawn	Rodella		
		Checked			
		Date	Name		
		Designed	Rodella		
		Drawn	Rodella		
		Checked			
		Date	Name		
		Designed	Rodella		
		Drawn	Rodella		
		Checked			
		Date	Name		
		Designed	Rodella		
		Drawn	Rodella		
		Checked			
		Date	Name		
		Designed	Rodella		
		Drawn	Rodella		
		Checked			
		Date	Name		
		Designed	Rodella		
		Drawn	Rodella		
		Checked			
		Date	Name		
		Designed	Rodella		
		Drawn	Rodella		
		Checked			
		Date	Name		
		Designed	Rodella		
		Drawn	Rodella		
		Checked			
		Date	Name		
		Designed	Rodella		
		Drawn	Rodella		
		Checked			
		Date	Name		
		Designed	Rodella		
		Drawn	Rodella		
		Checked			
		Date	Name		
		Designed	Rodella		
		Drawn	Rodella		
		Checked			
		Date	Name		
		Designed	Rodella		
		Drawn	Rodella		
		Checked			
		Date	Name		
		Designed	Rodella		
		Drawn	Rodella		
		Checked			
		Date	Name		
		Designed	Rodella		
		Drawn	Rodella		
		Checked			
		Date	Name		
		Designed	Rodella		
		Drawn	Rodella		
		Checked			
		Date	Name		
		Designed	Rodella		
		Drawn	Rodella		
		Checked			
		Date	Name		
		Designed	Rodella		
		Drawn	Rodella		
		Checked			
		Date	Name		
		Designed	Rodella		
		Drawn	Rodella		
		Checked			
		Date	Name		
		Designed	Rodella		
		Drawn	Rodella		
		Checked			
		Date	Name		
		Designed	Rodella		
		Drawn	Rodella		
		Checked			
		Date	Name		
		Designed	Rodella		
		Drawn	Rodella		
		Checked			
		Date	Name		
		Designed	Rodella		
		Drawn	Rodella		
		Checked			
		Date	Name		
		Designed	Rodella		
		Drawn	Rodella		
		Checked			
		Date	Name		
		Designed	Rodella		
		Drawn	Rodella		
		Checked			
		Date	Name		
		Designed	Rodella		
		Drawn	Rodella		
		Checked			
		Date	Name		
		Designed	Rodella		
		Drawn	Rodella		
		Checked			
		Date	Name		
		Designed	Rodella		
		Drawn	Rodella		
		Checked			
		Date	Name		
		Designed	Rodella		
		Drawn	Rodella		
		Checked			
		Date	Name		
		Designed	Rodella		
		Drawn	Rodella		
		Checked			
		Date	Name		
		Designed	Rodella		
		Drawn	Rodella		
		Checked			
		Date	Name		
		Designed	Rodella		
		Drawn	Rodella		
		Checked			
		Date	Name		
		Designed	Rodella		
		Drawn	Rodella		
		Checked			
		Date	Name		
		Designed	Rodella		
		Drawn	Rodella		
		Checked			
		Date	Name		
		Designed	Rodella		
		Drawn	Rodella		
		Checked			
		Date	Name		
		Designed	Rodella		
		Drawn	Rodella		
		Checked			
		Date	Name		
		Designed	Rodella		
		Drawn	Rodella		
		Checked			
		Date	Name		
		Designed	Rodella		
		Drawn	Rodella		
		Checked			
		Date	Name		
		Designed	Rodella		
		Drawn	Rodella		
		Checked			
		Date	Name		
		Designed	Rodella		
		Drawn	Rodella		
		Checked			
		Date	Name		
		Designed	Rodella		