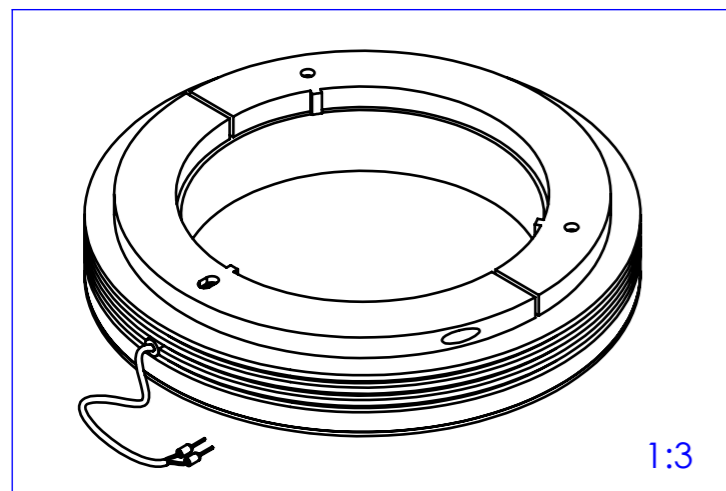
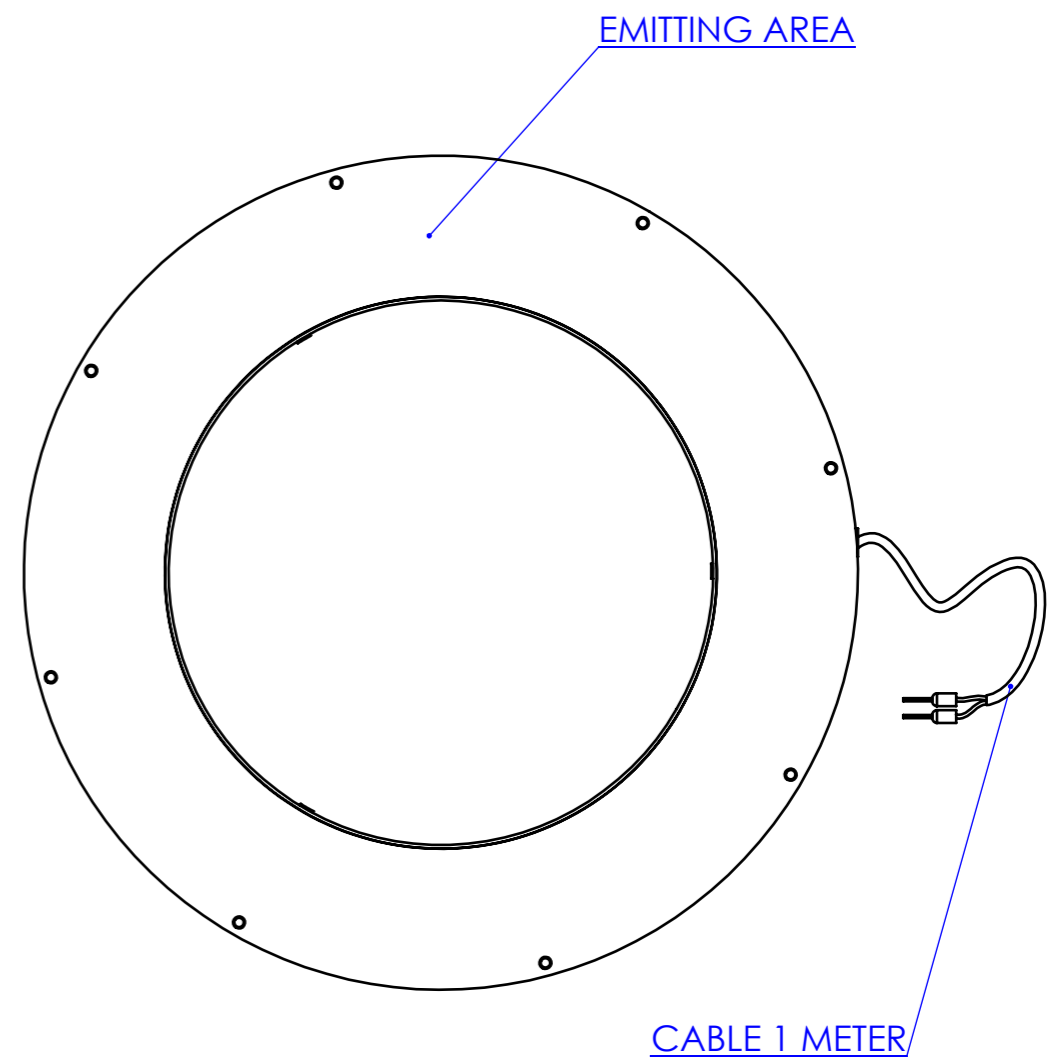
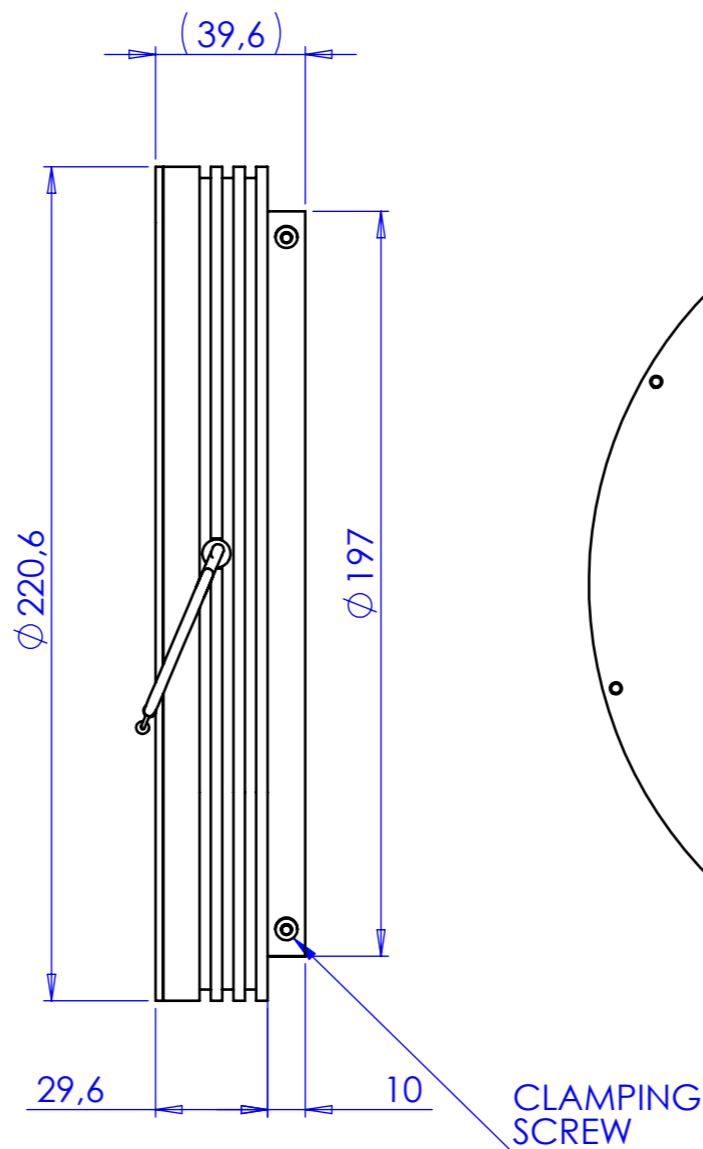
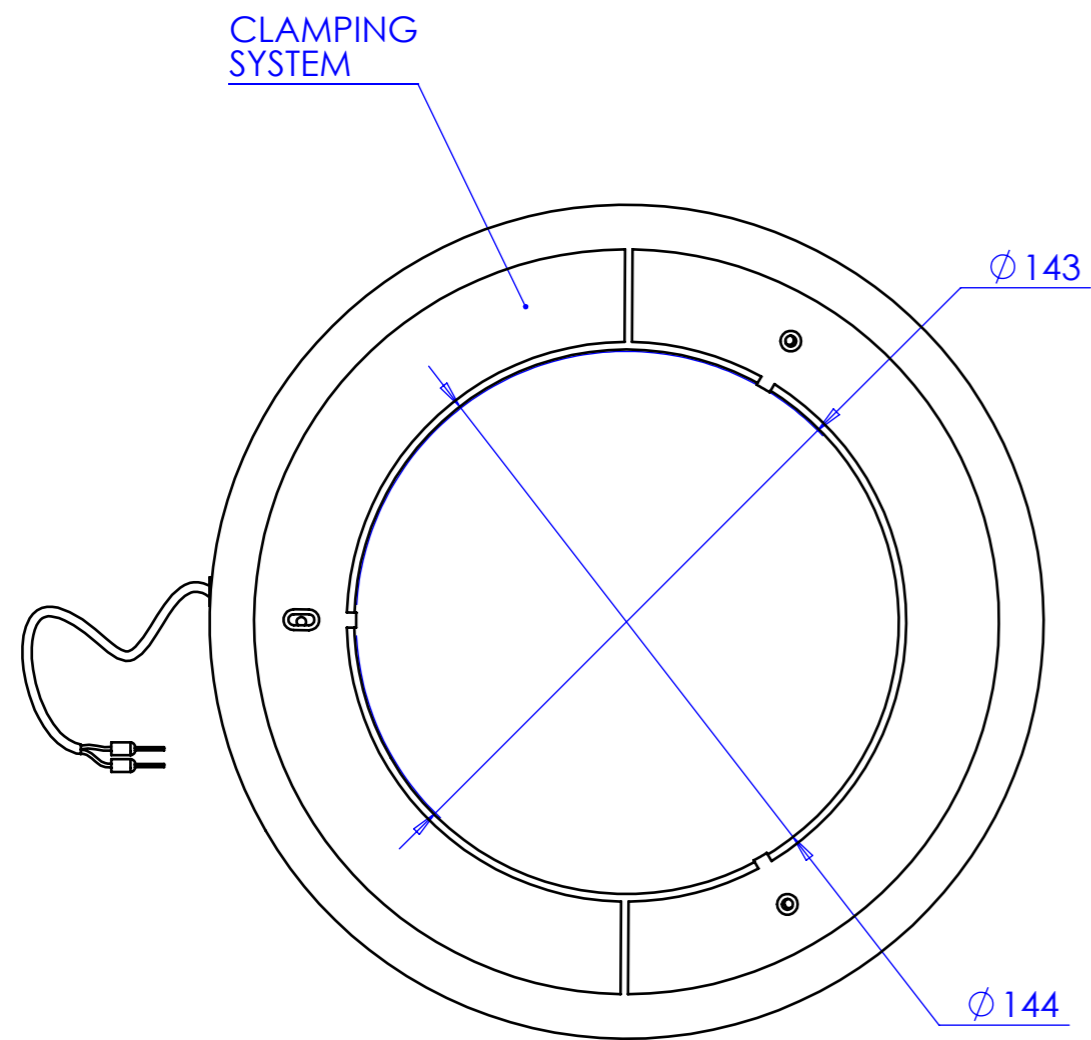


Rev No.	Description	Date	Name



Material	N.A.	Mass	468 g	Scale	1:2
Surface treatment	N.A.	Part No.	CO23466		
Geometrical tolerance (ISO 2768-2)		Class	K	Undimensioned bevels	0.5x45°
Linear tolerance (ISO 2768-2)		Class	m	Undimensioned radii	R 0.5
0.5 ±3	>3± 6	>6± 30	>30± 120	>120 ±400	>400± 1000
±0.1	±0.1	±0.2	±0.3	±0.5	±0.8
				±1.2	±2
Date		Name		Description	
Designed 18/12/2014		Rodella		LTRN096BL	
Drawn 18/12/2014		Rodella		Drawing No.	
Checked				DP 23466-A	
Date		Name		Sheet	
18/12/2014		Rodella		1/1	
<i>Secret and confidential - All rights reserved - No copy, dissemination or circulation is allowed unless specifically authorized in writing by OPTO ENGINEERING S.r.l. - Any violation shall be legally prosecuted.</i>					

all dimensions are in mm

OPTO ENGINEERING S.r.l. - Mantova Italy - Tel. +39 0376 699111 - www.opto-engineering.com