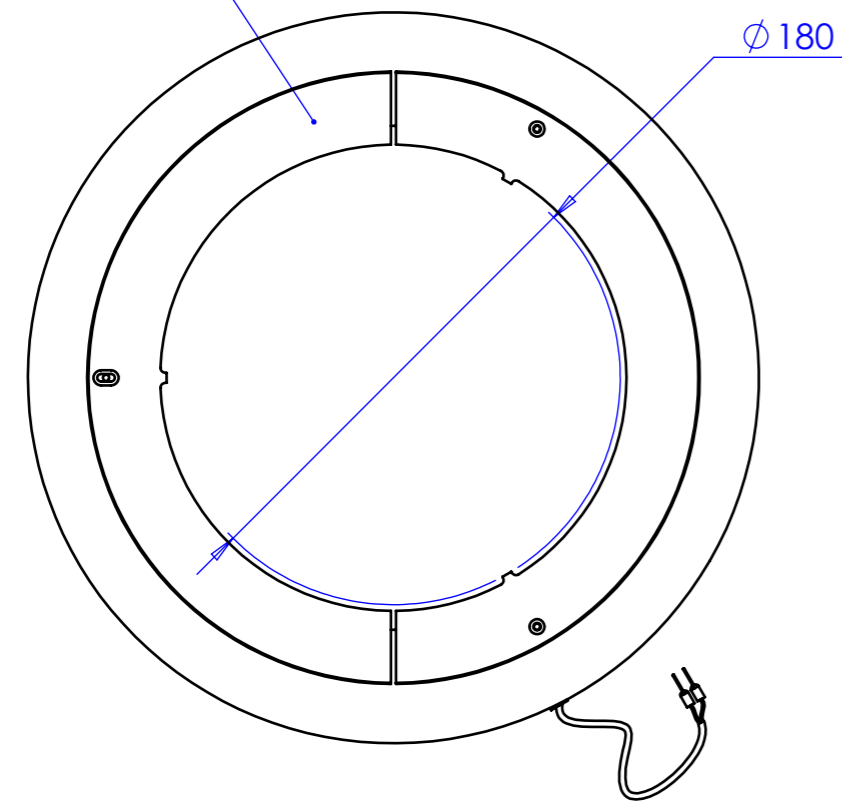
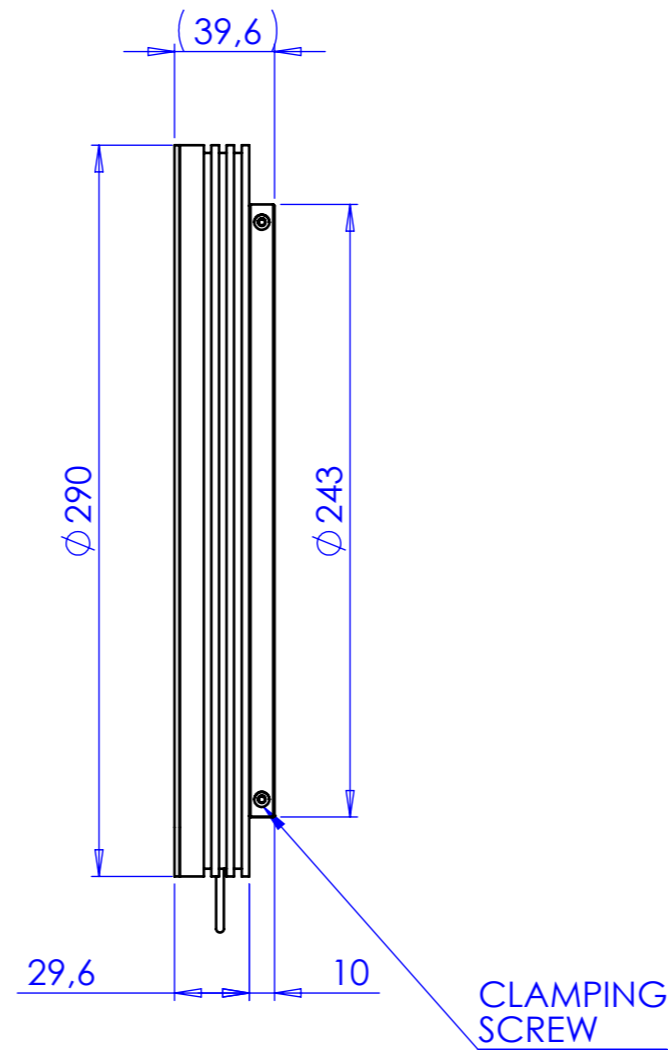


CLAMPING SYSTEM



Ø 180



29,6

(39,6)

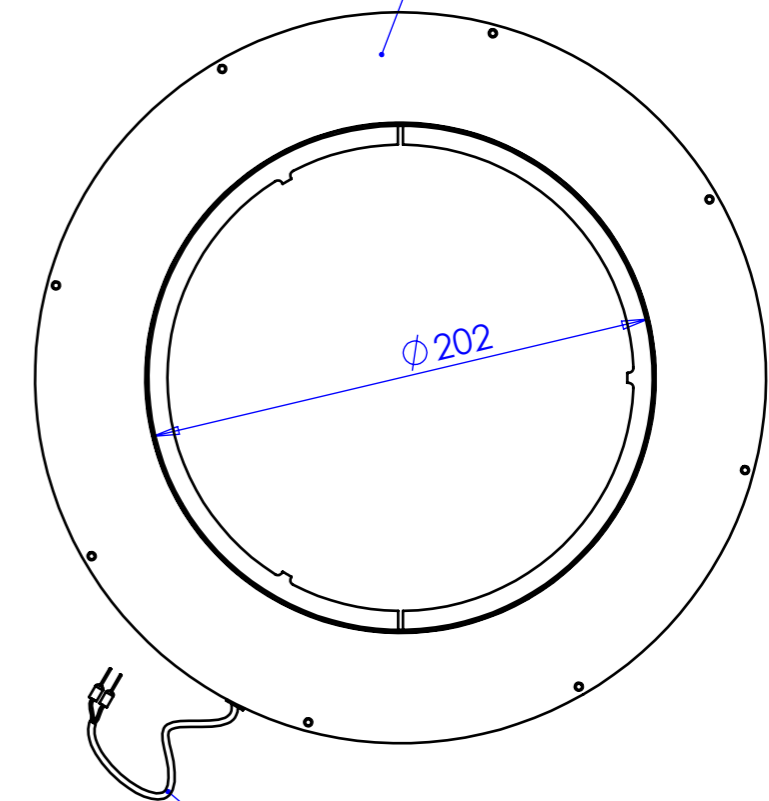
Ø 290

Ø 243

10

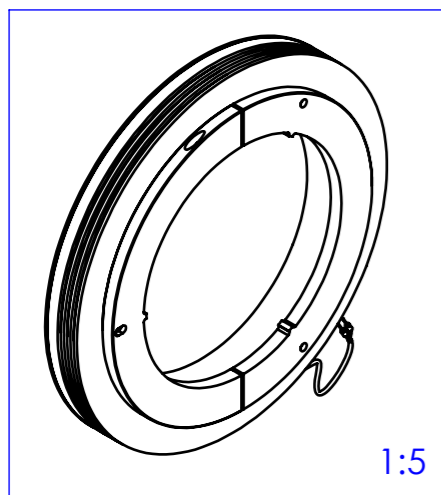
CLAMPING SCREW

EMITTING AREA



Ø 202

CABLE 1 METER



1:5

Rev No.	Description	Date	Name

Material	N.A.		Mass	735 g	Scale	1:3
Surface treatment	N.A.		Part No.	CO23477		
Geometrical tolerance (ISO 2768-2)			Class	K	Undimensioned bevels	0.5x45°
Linear tolerance (ISO 2768-2)			Class	m	Undimensioned radii	R 0.5
0.5	>3	>6	>30	>120	>400	>1000
±3	±6	±30	±120	±400	±1000	±2000
±0.1	±0.1	±0.2	±0.3	±0.5	±0.8	±1.2
Date			Name			
Designed			18/12/2014			
Drawn			18/12/2014			
Checked						
Description			LTRN120NW			
Drawing No.			DP 23477-A			
Sheet			1/1			
Secret and confidential - All rights reserved - No copy, dissemination or circulation is allowed unless specifically authorized in writing by OPTO ENGINEERING S.r.l. - Any violation shall be legally prosecuted.						

all dimensions are in mm



OPTO ENGINEERING S.r.l. - Mantova Italy - Tel. +39 0376 699111 - www.opto-engineering.com

0 1 2 3 4 5 6 7 8 9 10