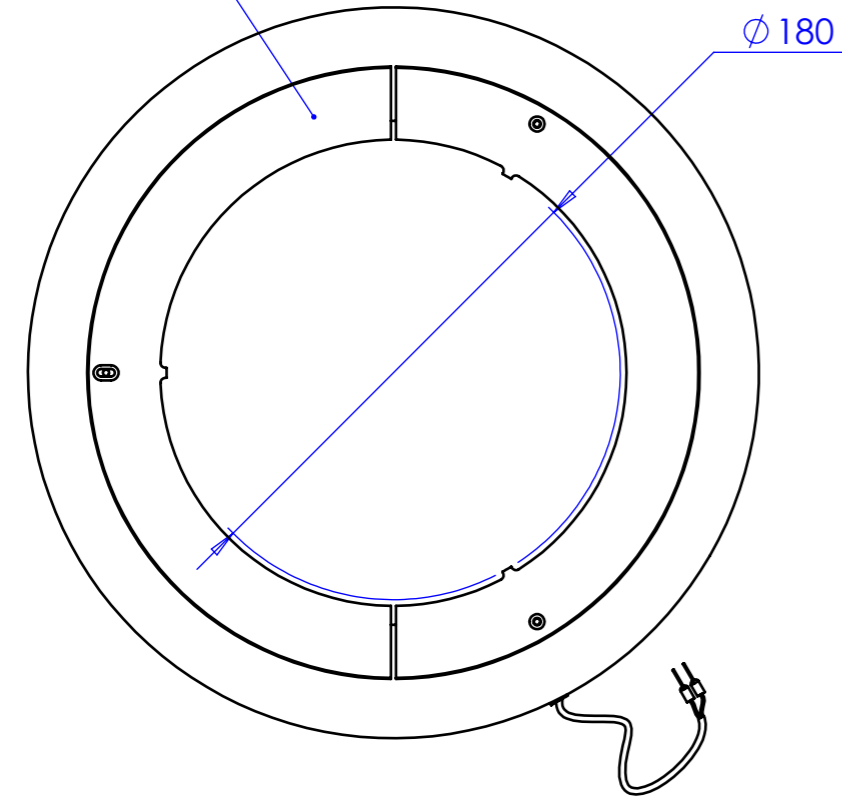
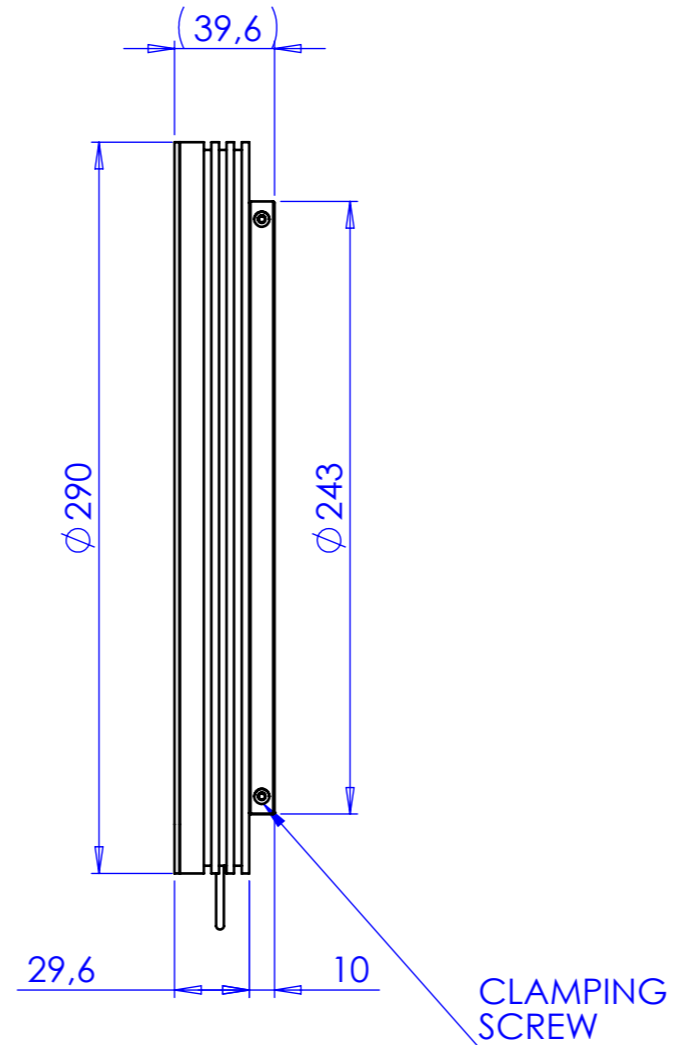


CLAMPING SYSTEM



Ø 180



(39,6)

29,6

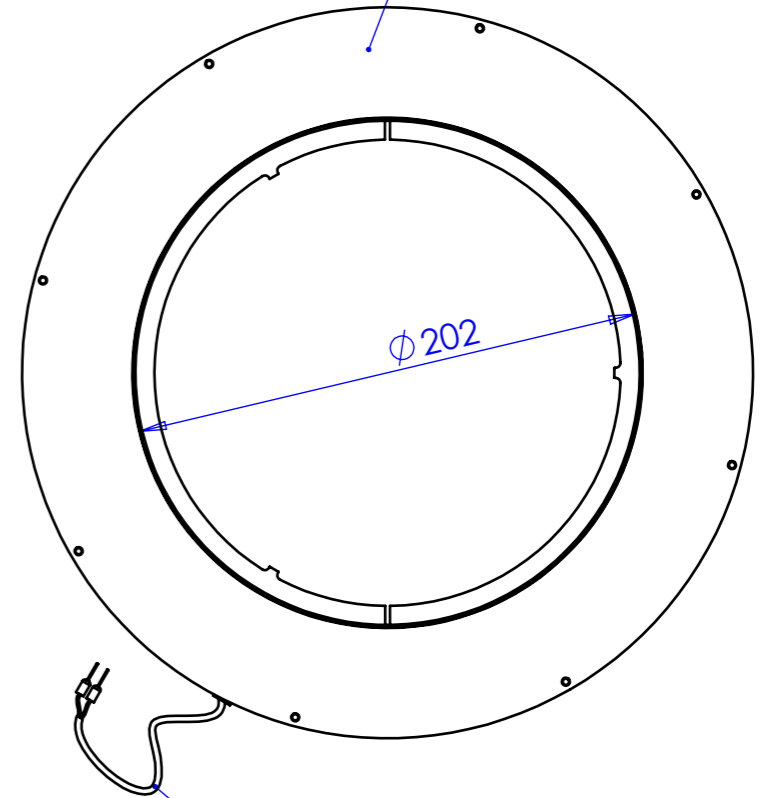
Ø 290

Ø 243

10

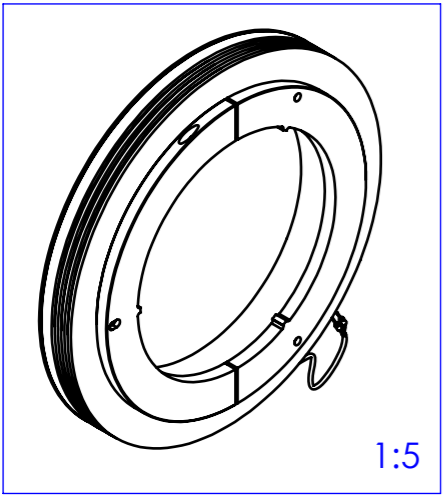
CLAMPING SCREW

EMITTING AREA



Ø 202

CABLE 1 METER



1:5

Rev No.	Description	Date	Name

Material		N.A.		Mass		735 g		Scale		1:3			
Surface treatment		N.A.		Part No.		CO23479							
Geometrical tolerance (ISO 2768-2)								Class		K			
Linear tolerance (ISO 2768-2)								Class		m			
0.5	>3	>6	>30	>120	>400	>1000	>2000	Undimensioned bevels	0.5x45°				
±3	6	30	120	±400	1000	±2000	±4000	Undimensioned radii	R 0.5				
±0.1	±0.1	±0.2	±0.3	±0.5	±0.8	±1.2	±2	Description		LTRN120GR			
<p>OPTO ENGINEERING S.r.l. - Mantova Italy - Tel. +39 0376 699111 - www.opto-engineering.com</p>				Date		Name		Drawing No.		Sheet			
				Designed		18/12/2014		Rodella		DP 23479-A		1/1	
				Drawn		18/12/2014		Rodella					
Checked								Secret and confidential - All rights reserved - No copy, dissemination or circulation is allowed unless specifically authorized in writing by OPTO ENGINEERING S.r.l. - Any violation shall be legally prosecuted.					

all dimensions are in mm