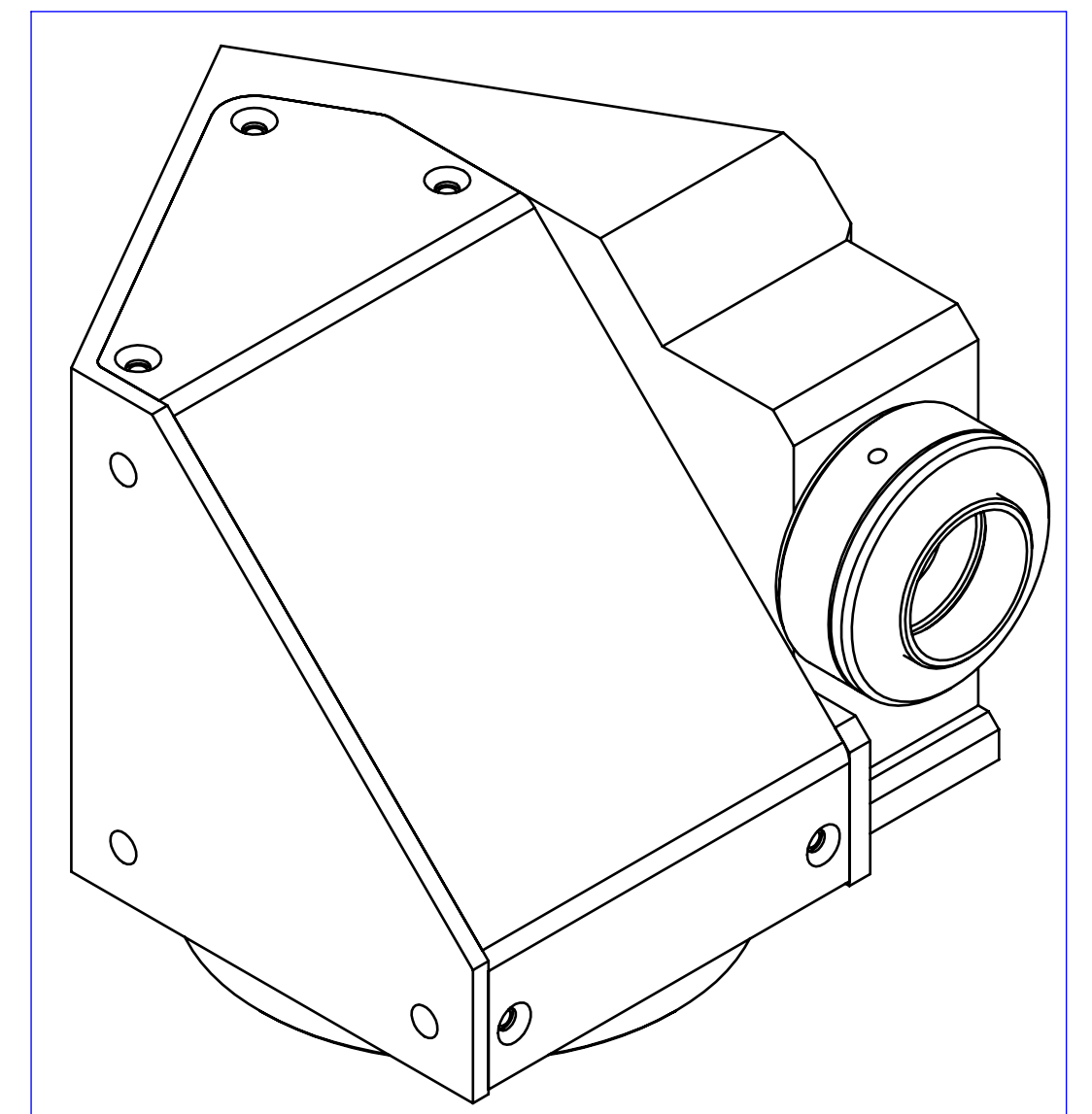
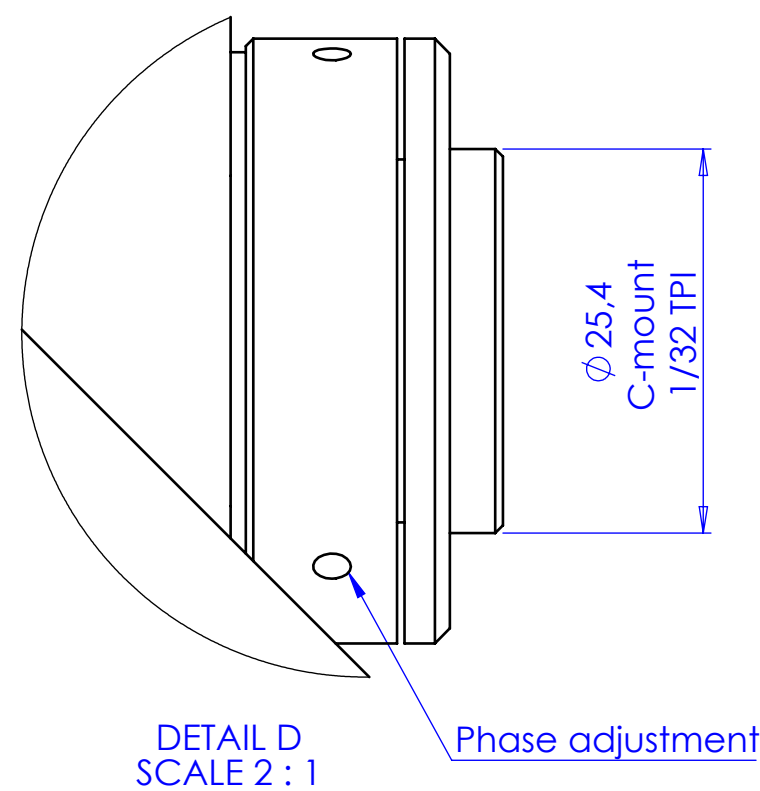
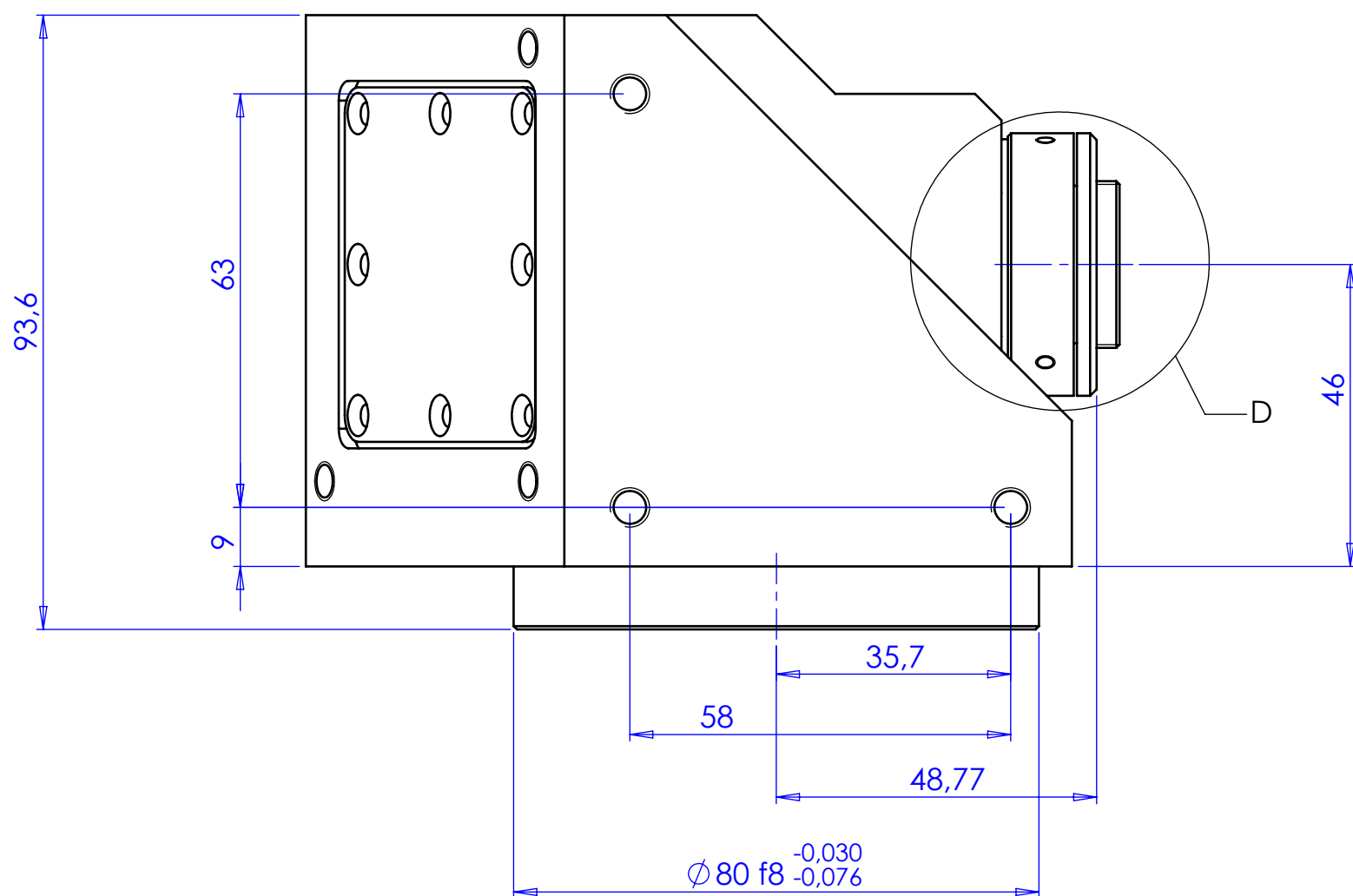
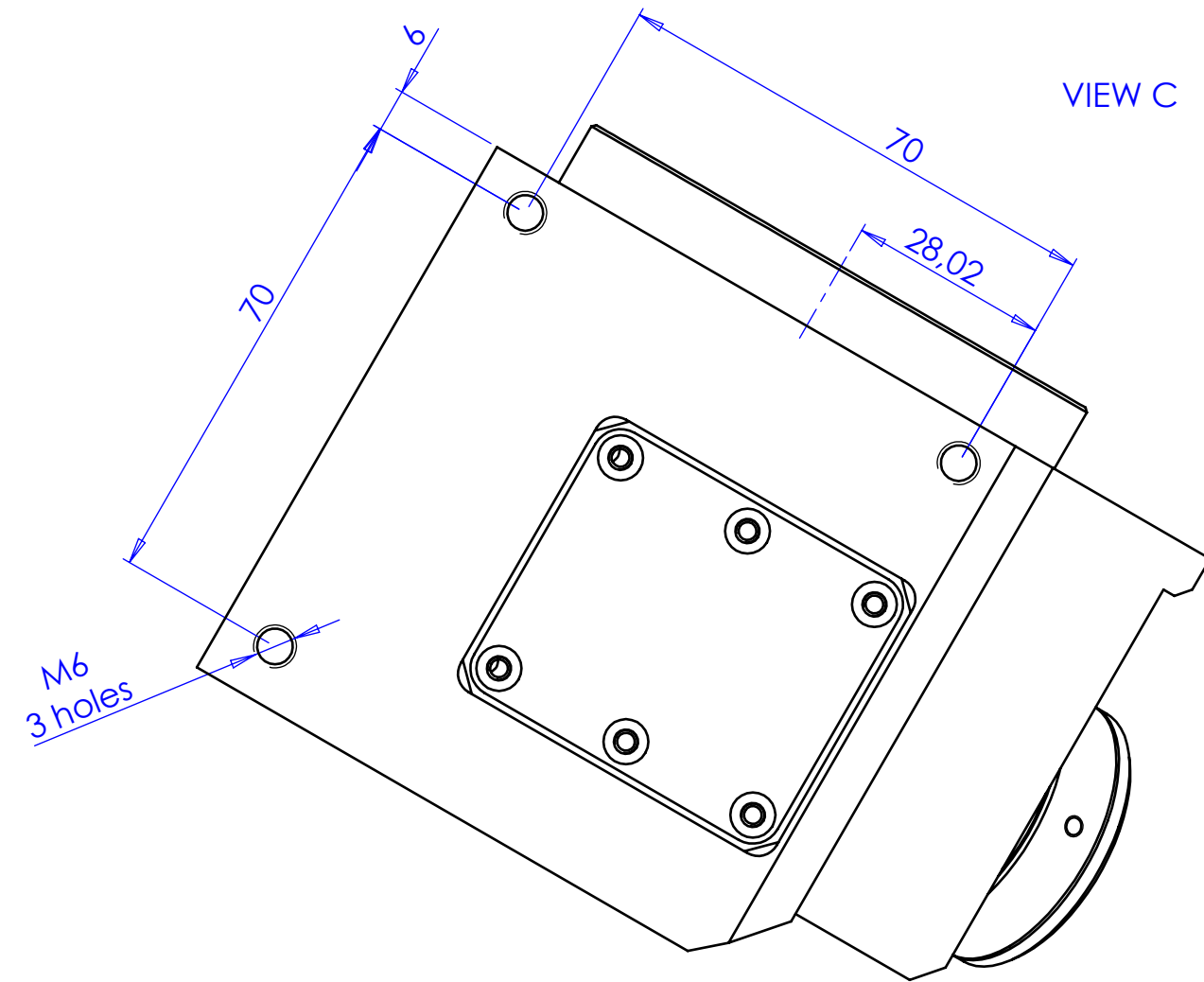
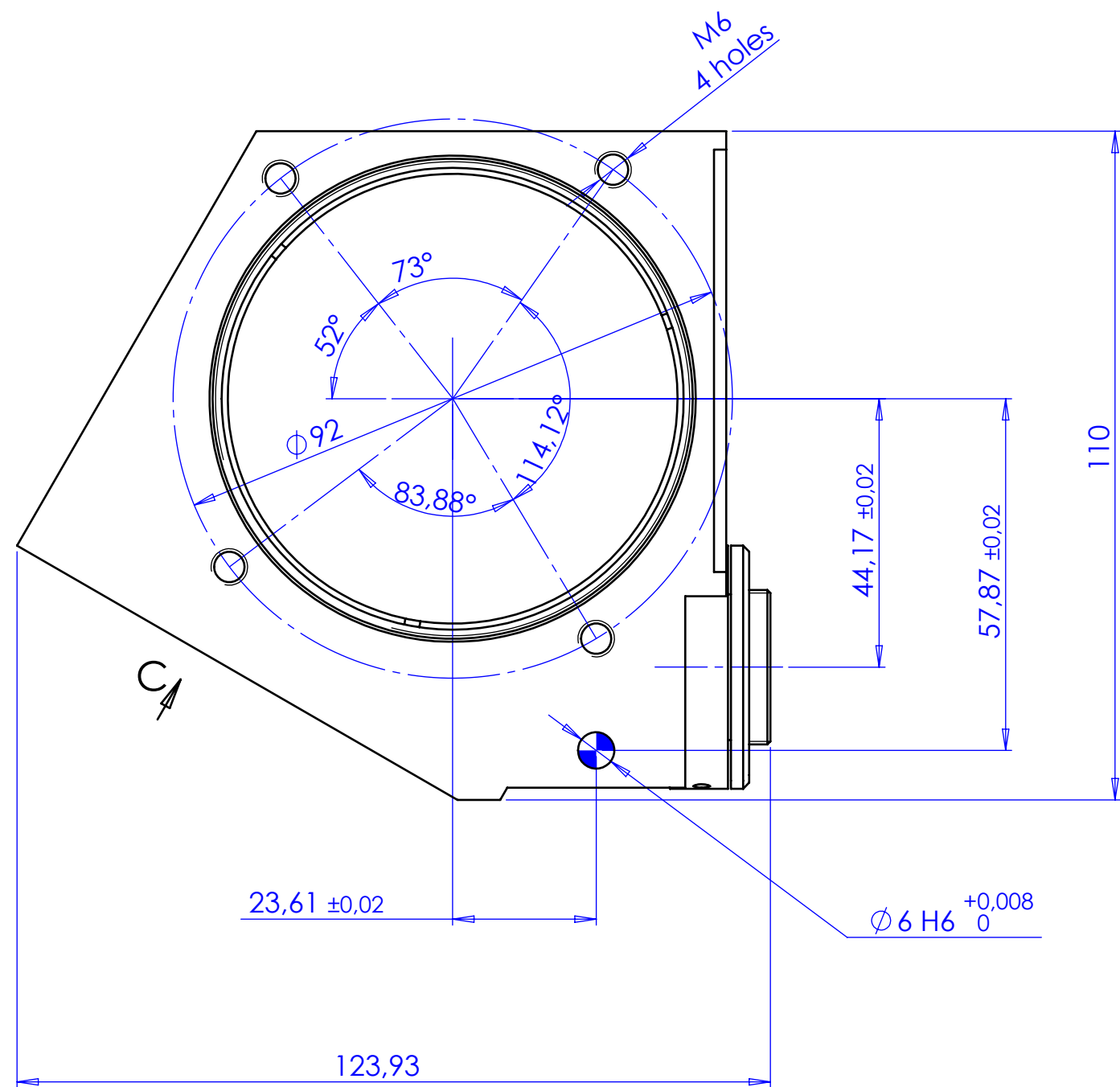


| Rev No. | Description | Date | Name |
|---------|----------------|------------|---------|
| B | Aggiunte quote | 12/01/2017 | Rodella |



| | | | | | | | | | | |
|------------------------------------|-------|------------|----------------------|------------|-------------|-------------|-------|-------|--|--|
| Material | N.A. | Mass | 2427 g | Scale | 1:1 | | | | | |
| Surface treatment | N.A. | Part No. | CO23969 | | | | | | | |
| Geometrical tolerance (ISO 2768-2) | Class | K | Undimensioned bevels | 0.5x45° | Description | | | | | |
| Linear tolerance (ISO 2768-2) | Class | m | Undimensioned radii | R 0.5 | TCCR12056 | | | | | |
| 0.5 | >3+ | >6+ | >30+ | >120 | >400+ | >1000 | >2000 | >4000 | | |
| +3 | 6 | 30 | 120 | +400 | 1000 | +2000 | +4000 | ±2 | | |
| ±0.1 | ±0.1 | ±0.2 | ±0.3 | ±0.5 | ±0.8 | ±1.2 | | | | |
| Designed | | Date | | Name | | Drawing No. | | Sheet | | |
| OPTO ENGINEERING | | 13/05/2015 | | Vasconetto | | DP 23969-B | | 1/1 | | |
| Drawn | | Date | | Name | | Drawing No. | | Sheet | | |
| 16/07/2015 | | Rodella | | | | | | | | |
| Checked | | Date | | Name | | Drawing No. | | Sheet | | |
| | | | | | | | | | | |

OPTO ENGINEERING S.r.l. - Mantova Italy - Tel. +39 0376 699111 - www.opto-engineering.com

Secret and confidential - All rights reserved -
No copy, dissemination or circulation is allowed unless
specifically authorized in writing by OPTO ENGINEERING
S.r.l. - Any violation shall be legally prosecuted.