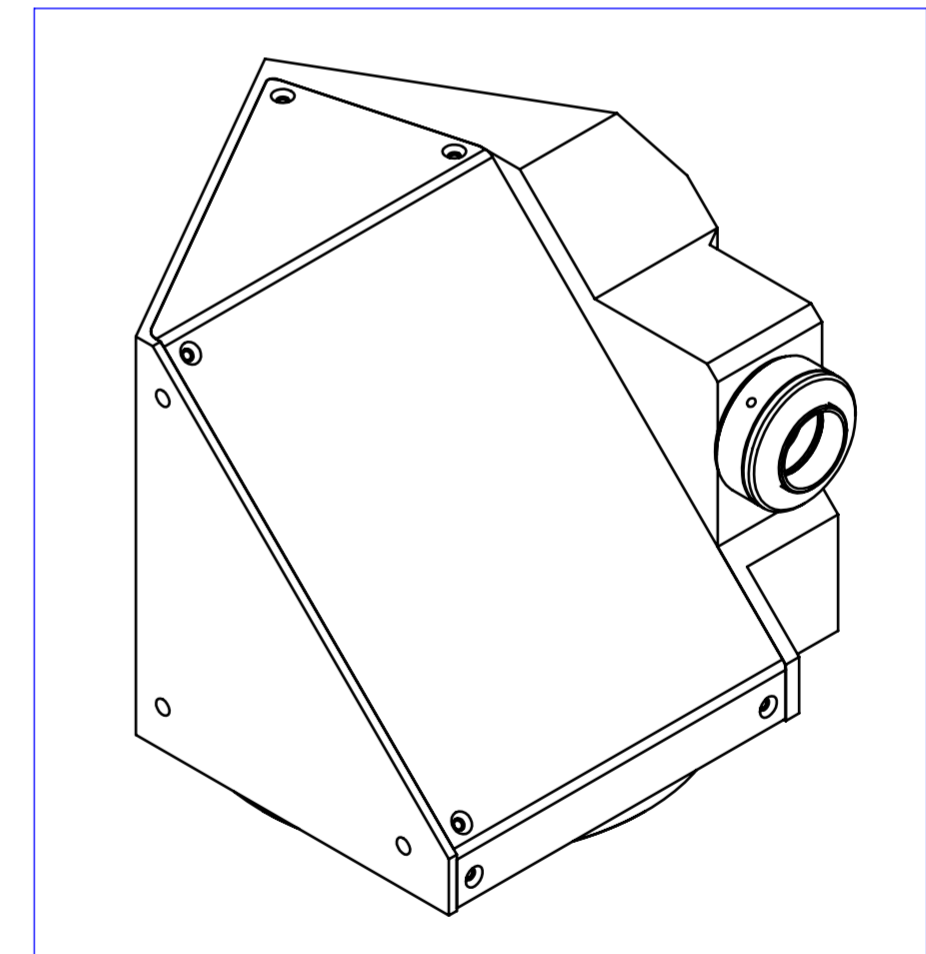
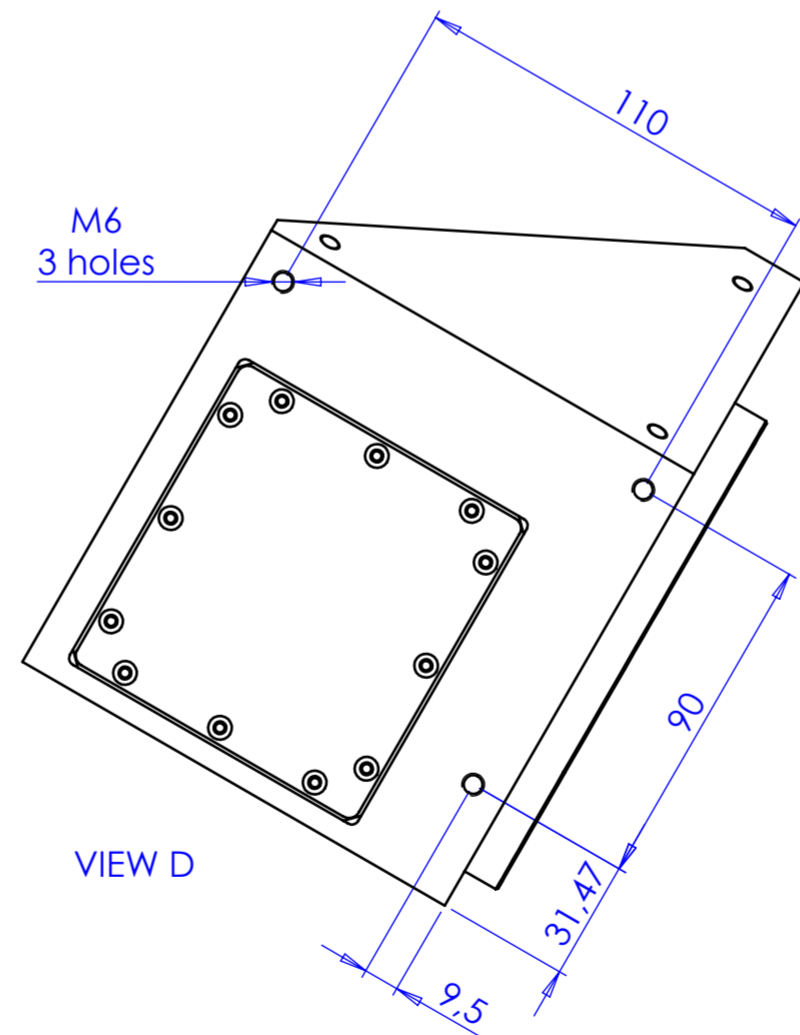
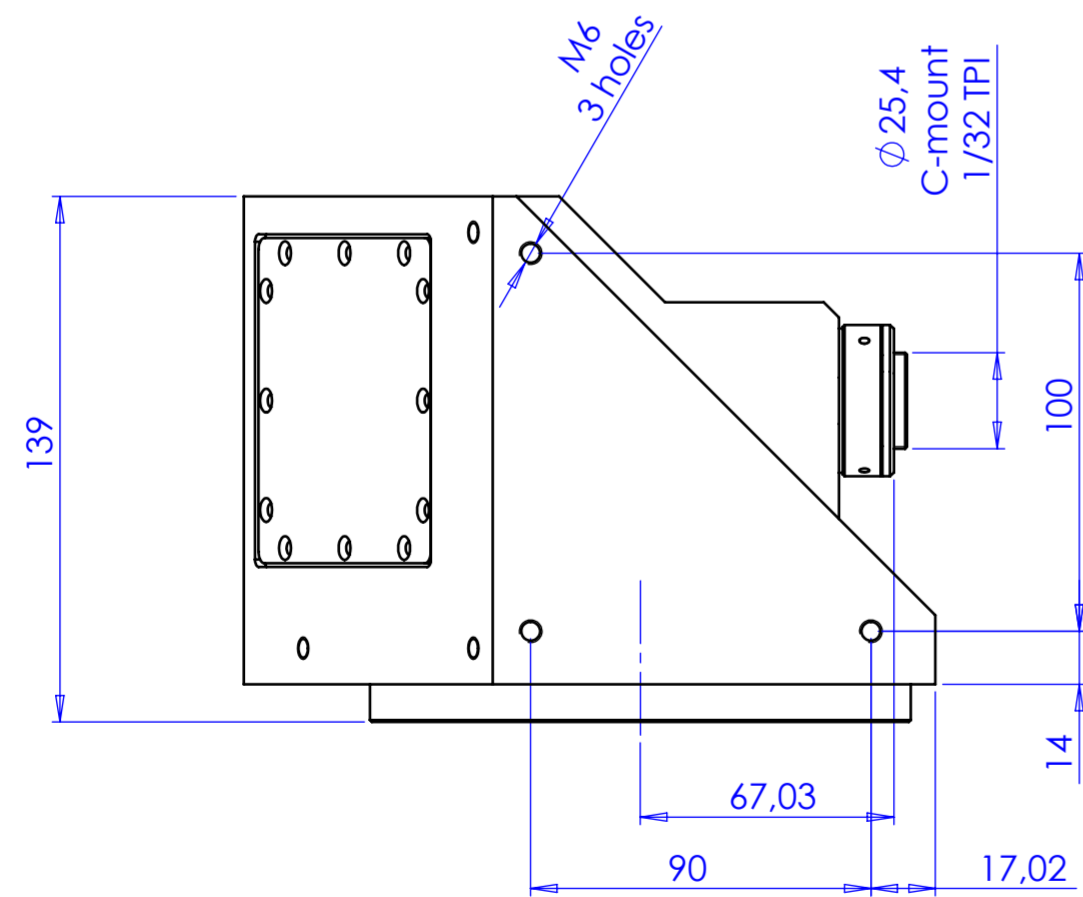
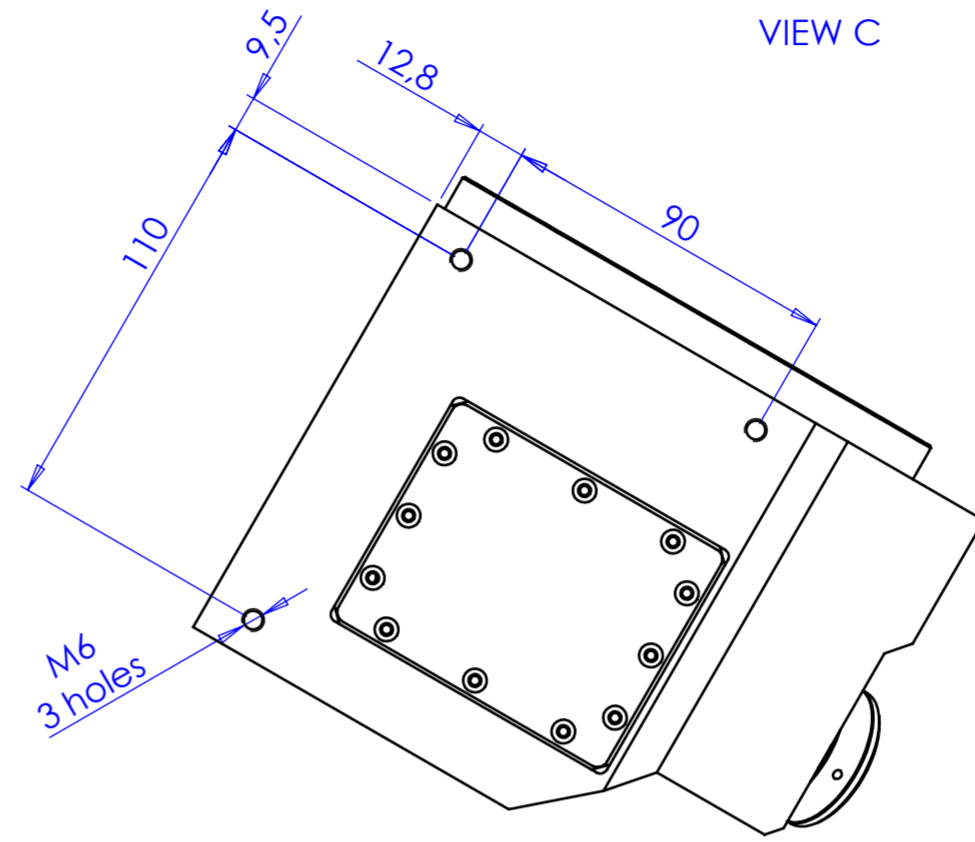
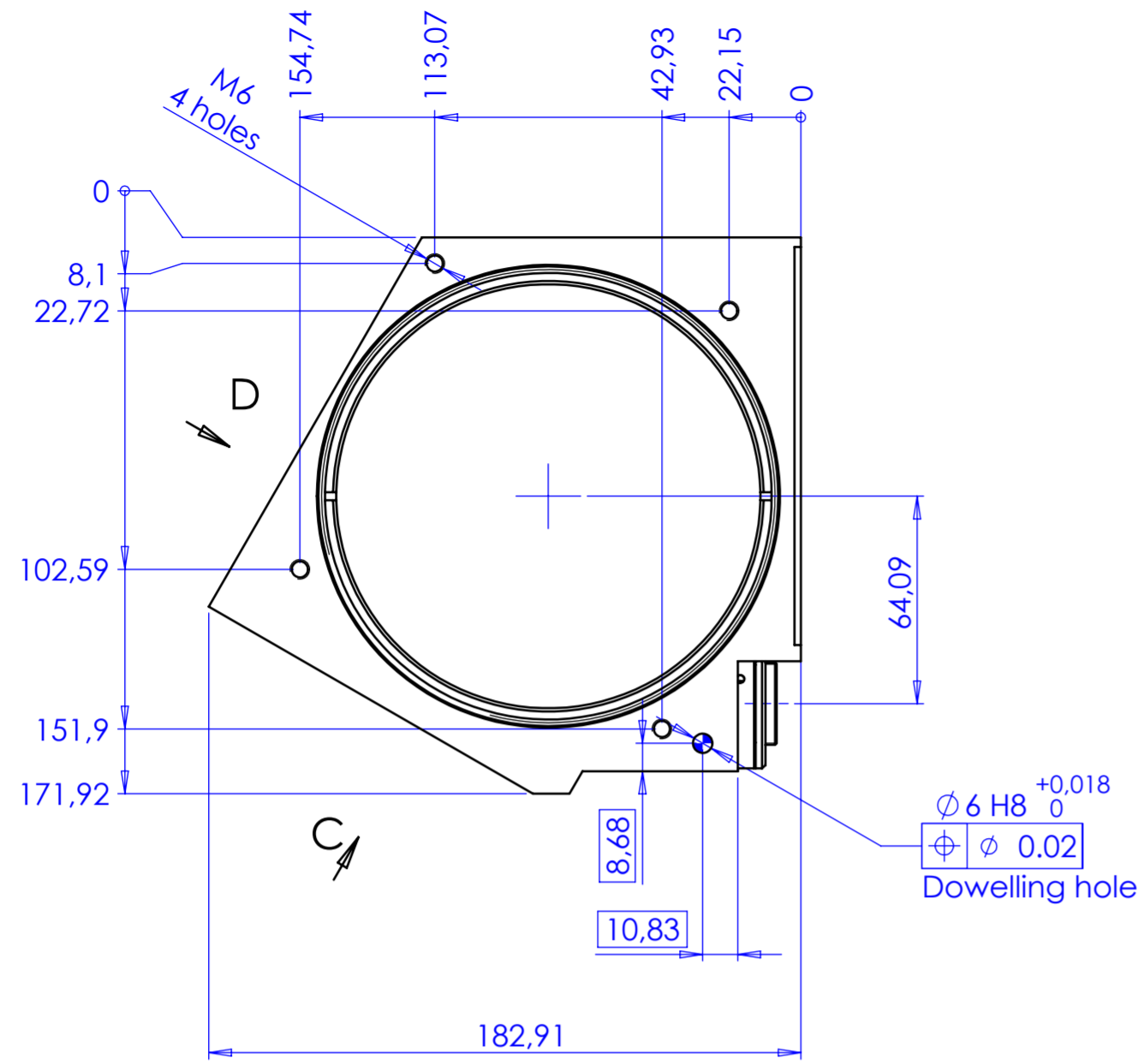


Rev No.	Description	Date	Name
B	View "D"	26/04/2016	Rodella



Material	N.A.	Mass	4223 g	Scale	1:2			
Surface treatment	N.A.	Part No.	CO23972					
Geometrical tolerance (ISO 2768-2)	Class	K	Undimensioned bevels	0.5x45°	Description			
Linear tolerance (ISO 2768-2)	Class	m	Undimensioned radii	R 0.5	TCCR12096			
0.5	>3+	>6+	>30+	>120	>400+	>1000	>2000	>4000
+3	6	30	120	+400	1000	+2000	+4000	
±0.1	±0.1	±0.2	±0.3	±0.5	±0.8	±1.2	±2	
Date		Name		Drawing No.				
Designed 05/03/2015		Vasconetto		DP 23972-B				
Drawn 16/07/2015		Rodella		Sheet 1/1				
Checked								

all dimensions are in mm



OPTO ENGINEERING S.p.A. - Mantova Italy - Tel. +39 0376 699111 - www.opto-engineering.com

Secret and confidential - All rights reserved - No copy, dissemination or circulation is allowed unless specifically authorized in writing by OPTO ENGINEERING S.p.A. - Any violation shall be legally prosecuted.