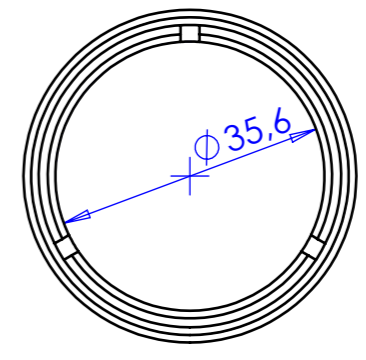
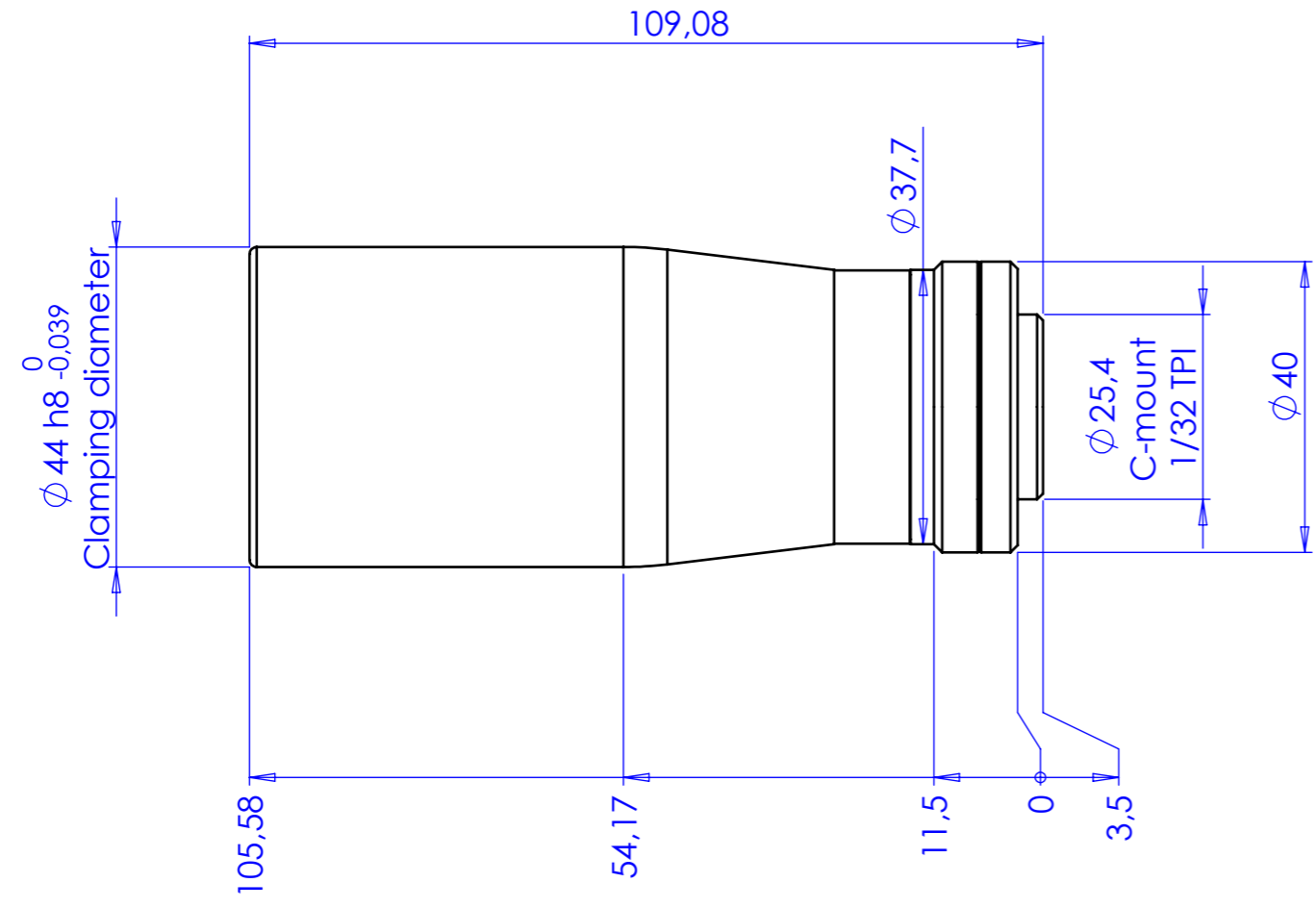


1 2 3 4 5 6 7 8

Rev No.	Description	Date	Name



D
C
B
A

D
C
B
A

Material		N.A.		Mass		322 g		Scale		1:1							
Surface treatment		N.A.		Part No.		CO24145											
Geometrical tolerance (ISO 2768-2)								Class		K							
Linear tolerance (ISO 2768-2)								Class		m							
0.5 ±3	>3± 6	>6± 30	>30± 120	>120 ±400	>400± 1000	>1000 ±2000	>2000 ±4000	Undimensioned bevels		0,5x45°							
±0.1	±0.1	±0.2	±0.3	±0.5	±0.8	±1.2	±2	Undimensioned radii		R 0.5							
<p>all dimensions are in mm</p> <p>OPTO ENGINEERING S.r.l. - Mantova Italy - Tel. +39 0376 699111 - www.opto-engineering.com</p>								Date		Name		Drawing No.		Sheet			
								Designed		20/03/2014		Santini		DP 24145-A		1/1	
								Drawn		19/06/2015		Rodella					
<p>Secret and confidential - All rights reserved - No copy, dissemination or circulation is allowed unless specifically authorized in writing by OPTO ENGINEERING S.r.l. - Any violation shall be legally prosecuted.</p>																	

1 2 3 4 5 6 7 8

0 1 2 3 4 5 6 7 8 9 10