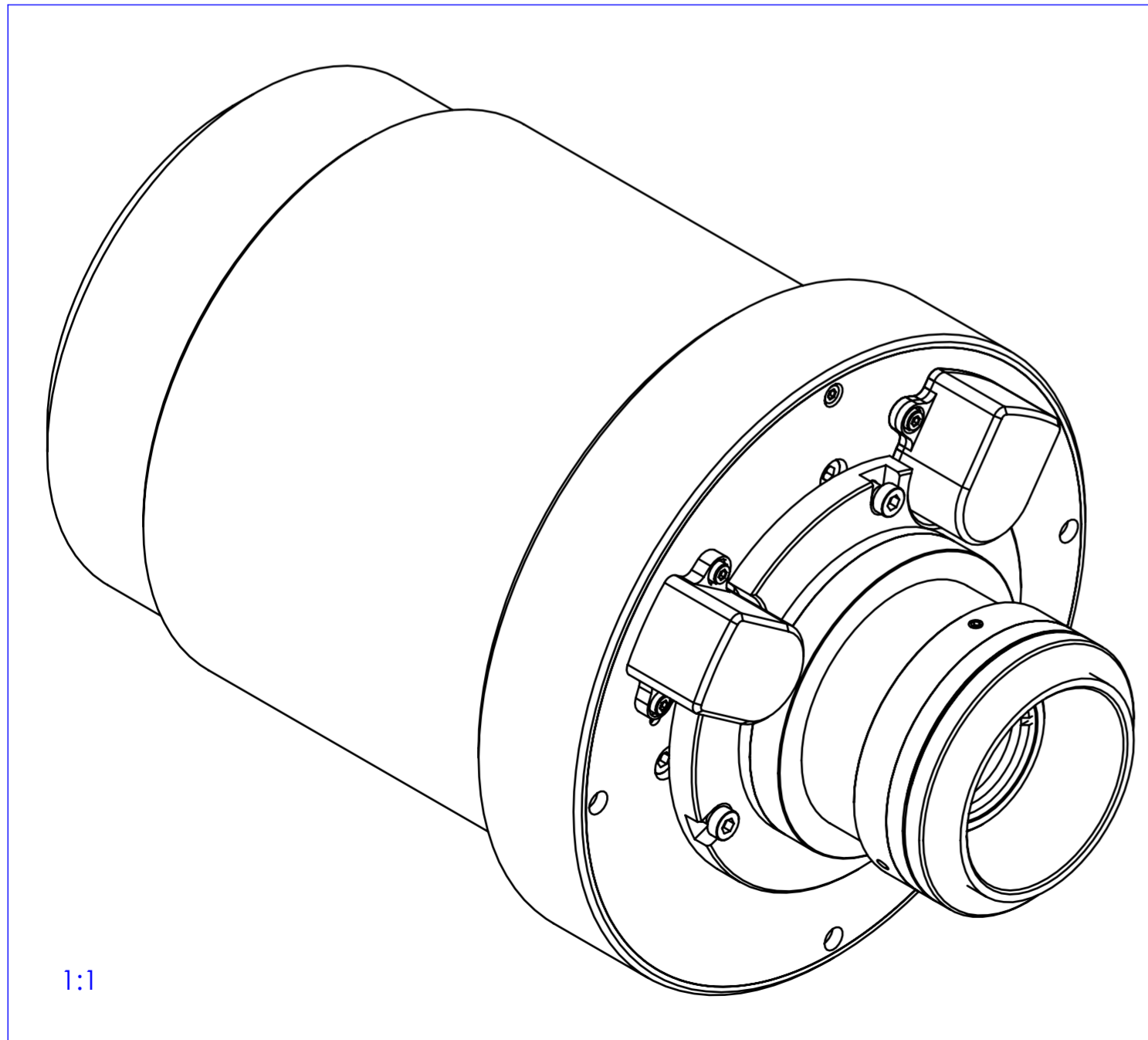
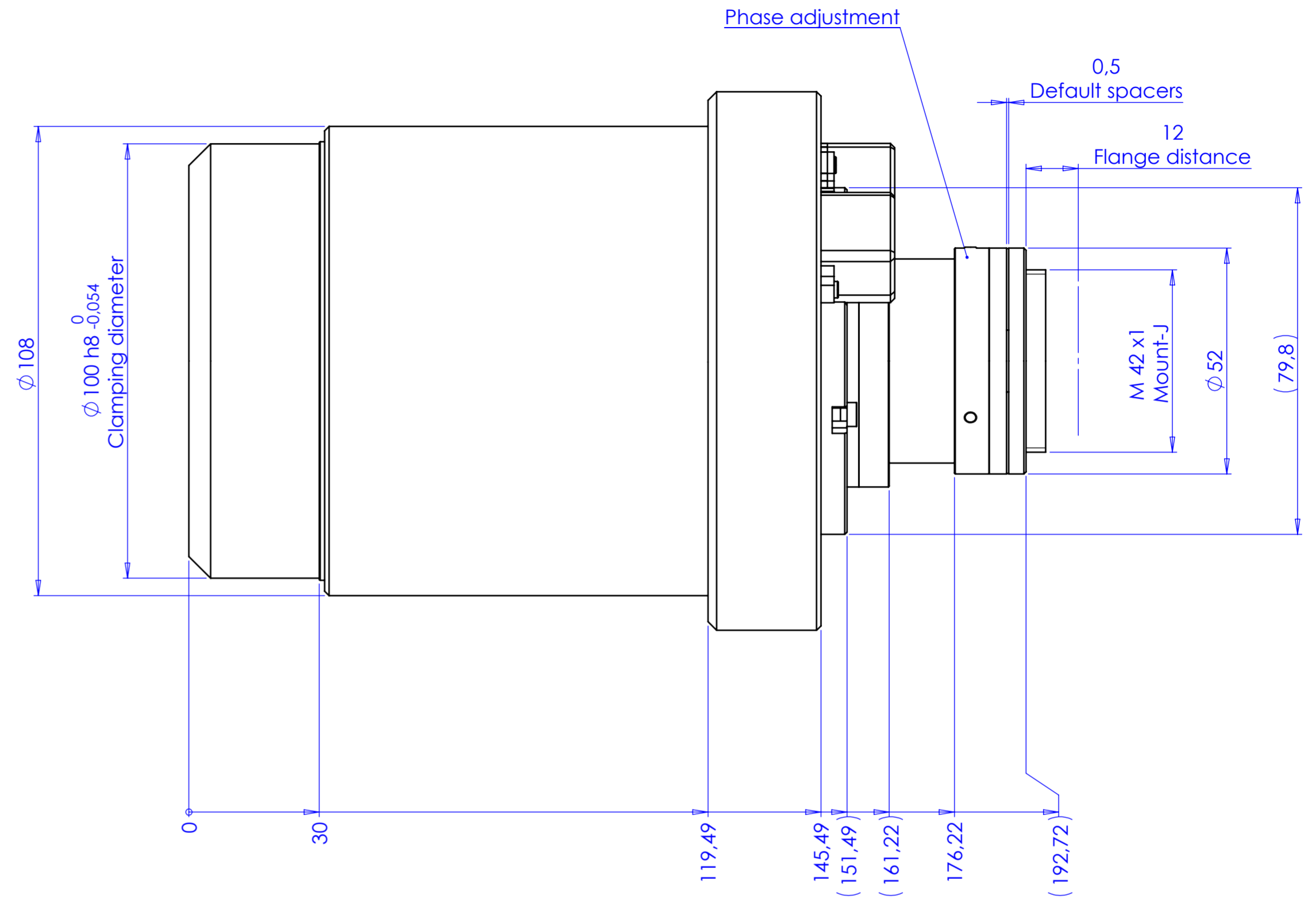
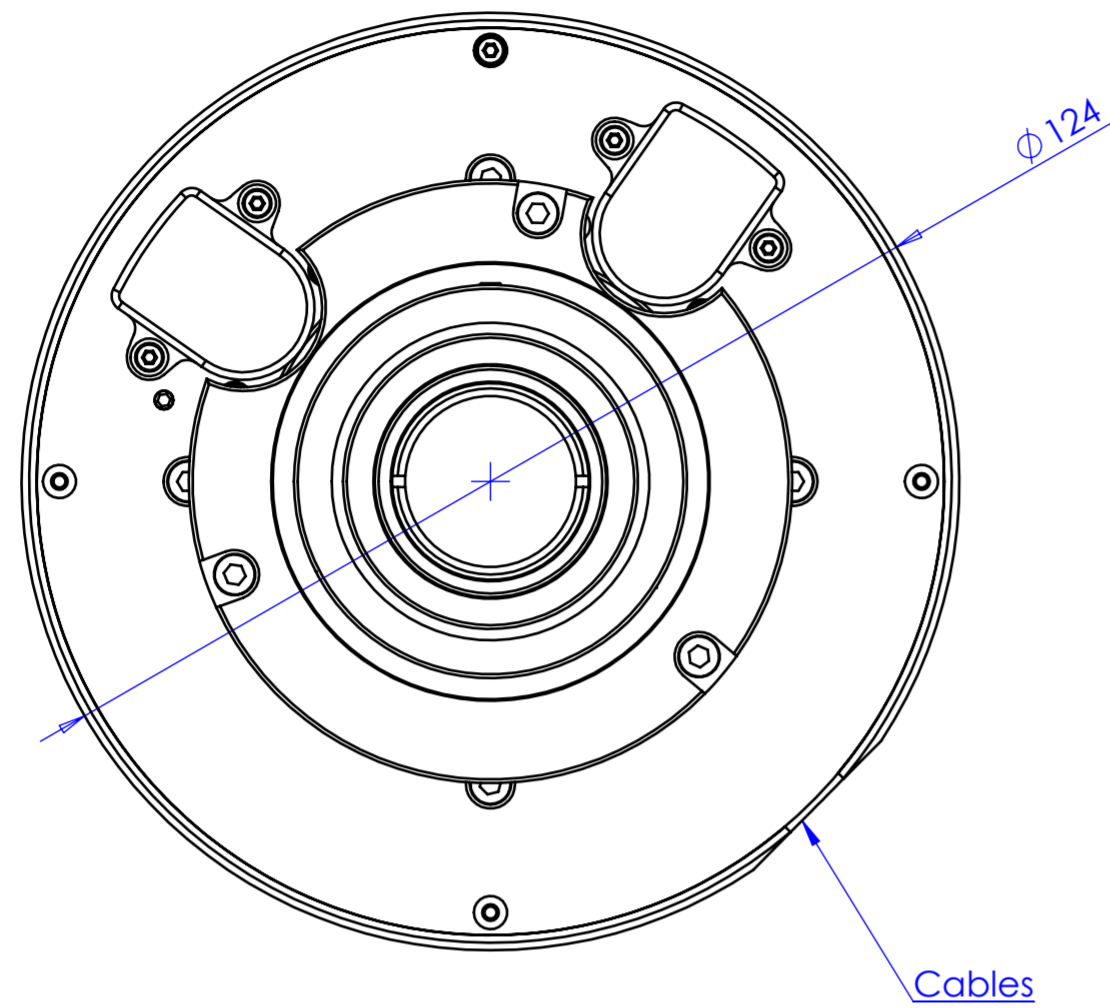


Rev No.	Description	Date	Name



Material	N.A.	Mass	1987 g	Scale	1:1						
Surface treatment	N.A.	Part No.	CO24377								
Geometrical tolerance (ISO 2768-2)	Class	K	Undimensioned bevels	0.5x45°	Description						
0.5	>3+	>6+	>30+	>120	>400+	>1000	>2000	>4000	Undimensioned radii	R 0.5	MZMT435X-J
+3	6	30	120	+400	1000	+2000	+4000	±2			
±0.1	±0.1	±0.2	±0.3	±0.5	±0.8	±1.2					
Date		Name		Drawing No.		Sheet					
Designed 23/03/2015		Santini		DP 24377-A		1/1					
Drawn 11/08/2015		Rodella									
Checked											
						<i>Secret and confidential - All rights reserved - No copy, dissemination or circulation is allowed unless specifically authorized in writing by OPTO ENGINEERING S.r.l. - Any violation shall be legally prosecuted.</i>					
OPTO ENGINEERING S.r.l. - Mantova Italy - Tel. +39 0376 699111 - www.opto-engineering.com											

all dimensions are in mm