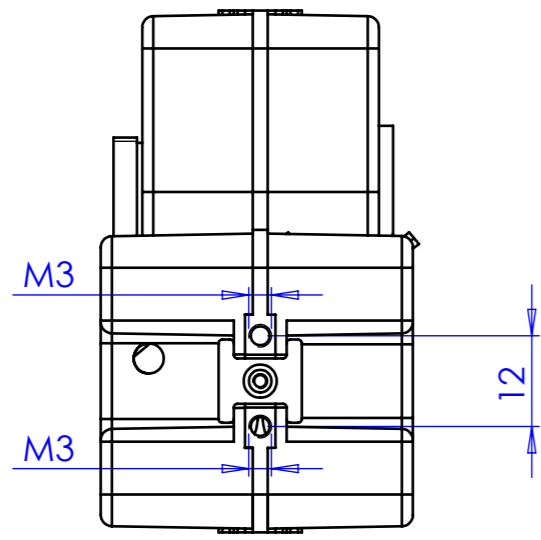
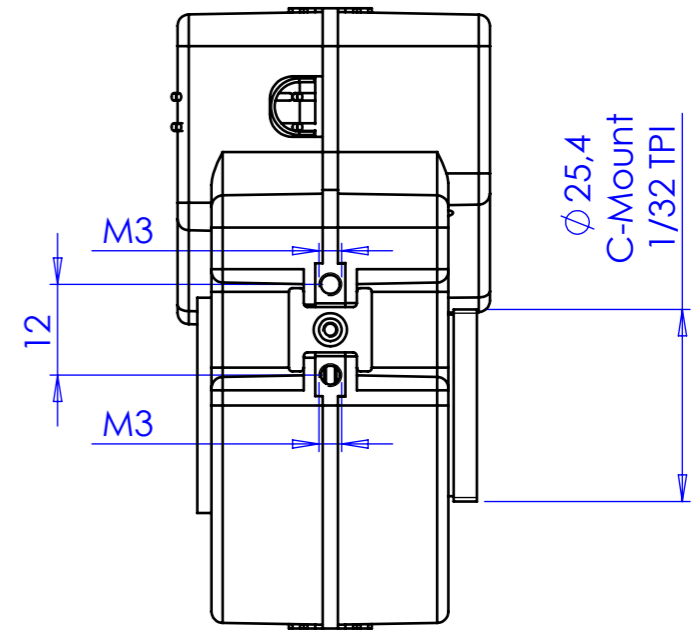
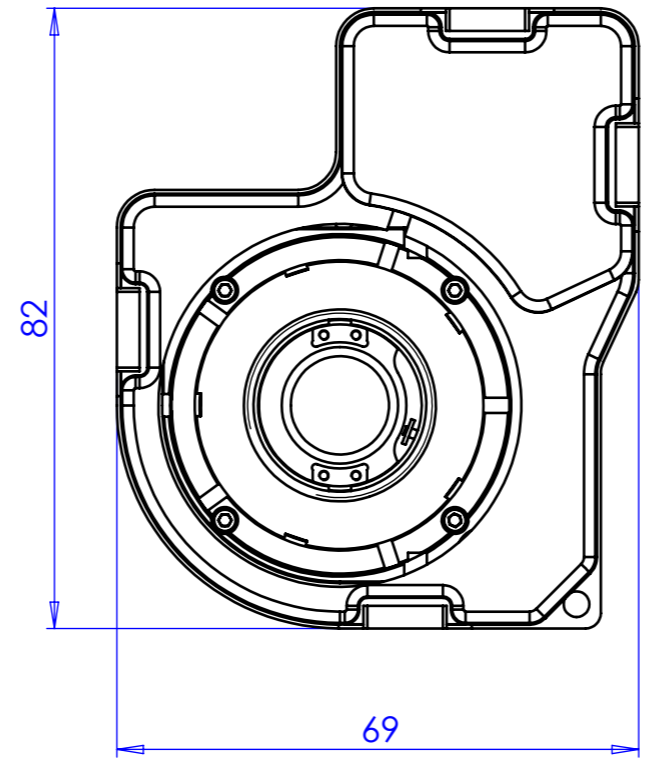
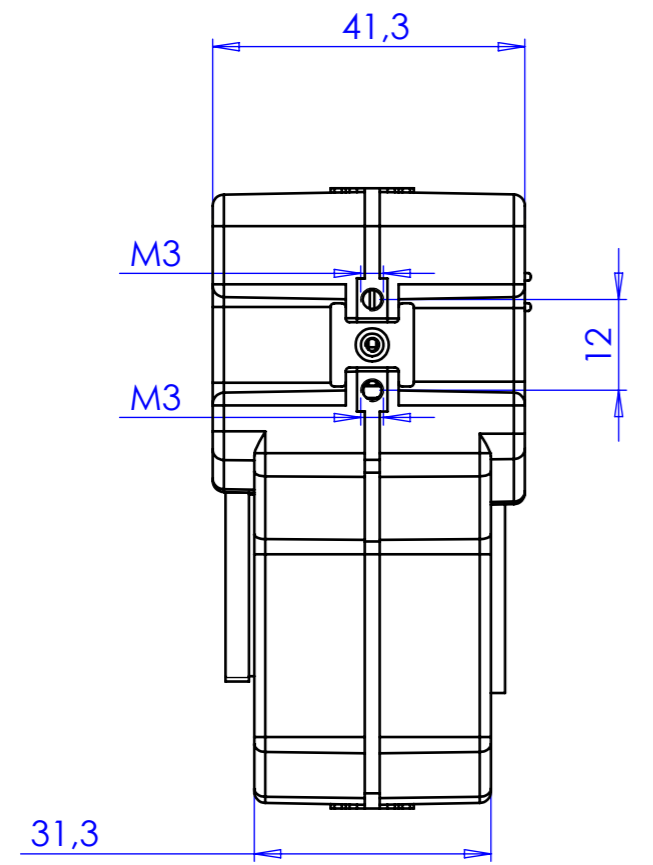
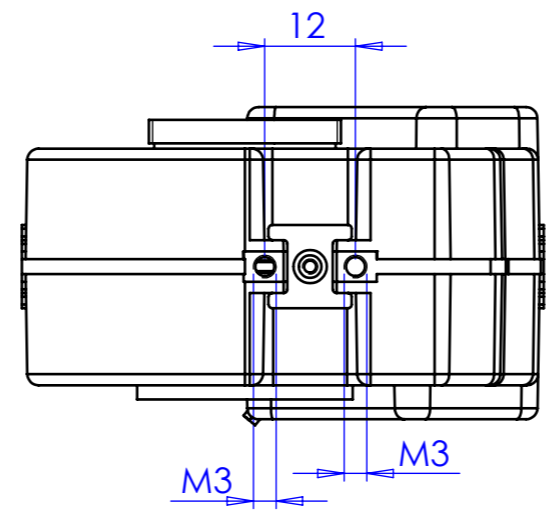


1 2 3 4 5 6 7 8

Rev No.	Description	Date	Name



Material		N.A.		Mass		268 g		Scale		1:1			
Surface treatment				Part No.		CO24435							
Geometrical tolerance (ISO 2768-2)								Class		K		Description	
Linear tolerance (ISO 2768-2)								Class		m		Undimensioned bevels	
0.5								>3		>6		0.5x45°	
±3								6		30		R 0.5	
>30								>120					
±0.1								±0.1		±0.2			
±0.1								±0.3		±0.5			
±0.1								±0.8		±1.2			
±0.1								±0.8		±2			
Undimensioned radii								Date		Name		Drawing No.	
								03/07/2015		LSantini		Sheet	
								20/11/2015		Vasconetto		1/1	
												Description	
												ENMT M3520	
												Drawing No.	
												DP 24435-A	
								Secret and confidential - All rights reserved - No copy, dissemination or circulation is allowed unless specifically authorized in writing by OPTO ENGINEERING S.r.l. - Any violation shall be legally prosecuted.					

all dimensions are in mm



OPTO ENGINEERING S.r.l. - Mantova Italy - Tel. +39 0376 699111 - www.opto-engineering.com

1 2 3 0 1 2 3 4 5 6 7 8 9 10 6 7 8

D  
C  
B  
A

D  
C  
B  
A