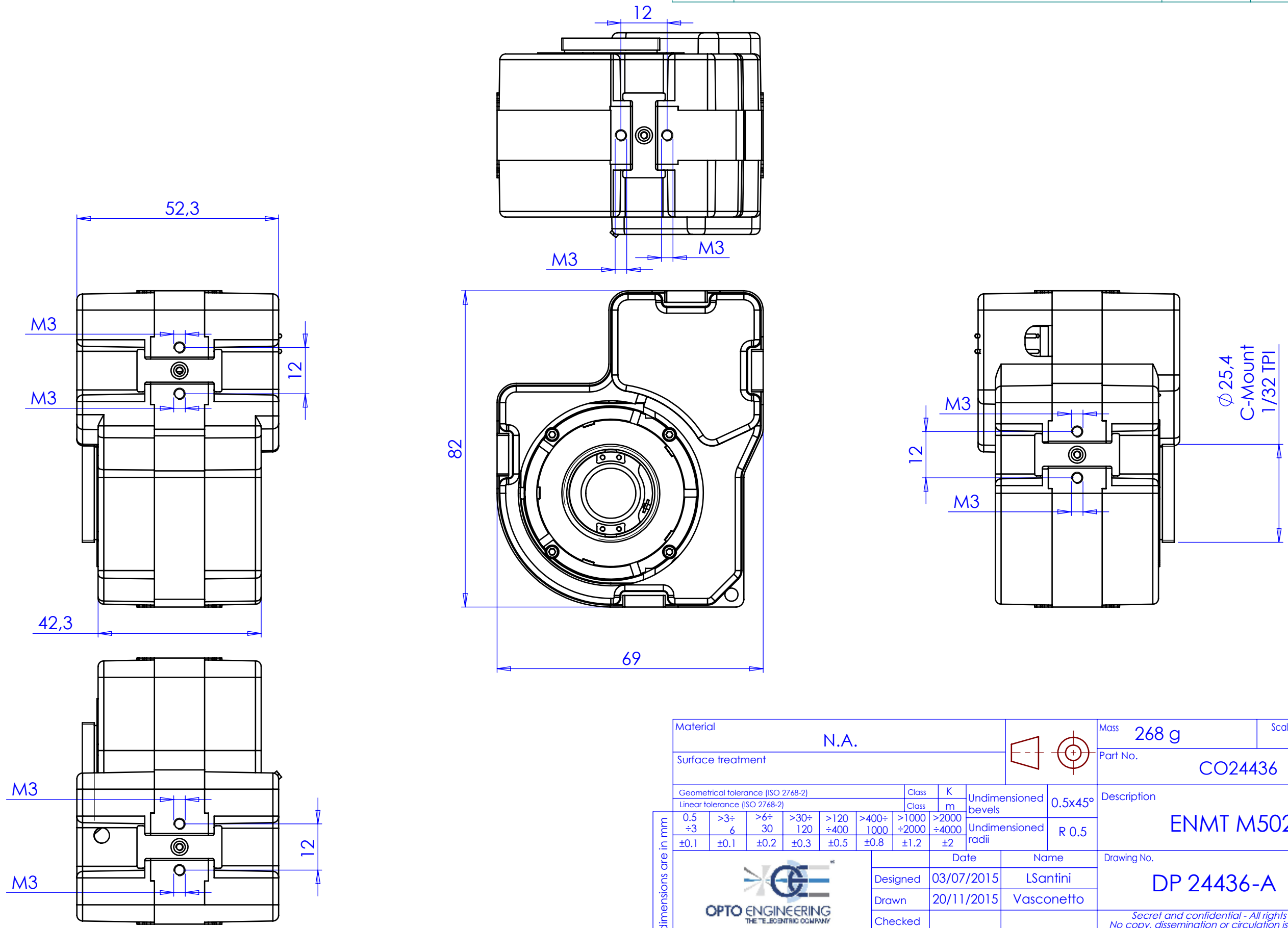


1 2 3 4 5 6 7 8

Rev No.	Description	Date	Name



Material	N.A.		Mass	268 g	Scale	1:1	
Surface treatment			Part No.	CO24436			
Geometrical tolerance (ISO 2768-2)			Class	K	Undimensioned bevels		
Linear tolerance (ISO 2768-2)			Class	m	0.5x45°		
0.5	>3	>6	>30	>120	>400	>1000	>2000
±3	±6	±30	±120	±400	±1000	±2000	±4000
±0.1	±0.1	±0.2	±0.3	±0.5	±0.8	±1.2	±2
Undimensioned radii			R 0.5		Description		ENMT M5028
			Date	Name	Drawing No.	Sheet	
Designed 03/07/2015 LSantini Drawn 20/11/2015 Vasconetto Checked			DP 24436-A		1/1		
all dimensions are in mm OPTO ENGINEERING S.r.l. - Mantova Italy - Tel. +39 0376 699111 - www.opto-engineering.com							Secret and confidential - All rights reserved - No copy, dissemination or circulation is allowed unless specifically authorized in writing by OPTO ENGINEERING S.r.l. - Any violation shall be legally prosecuted.

1 2 3 0 1 2 3 4 5 6 7 8 9 10 6 7 8