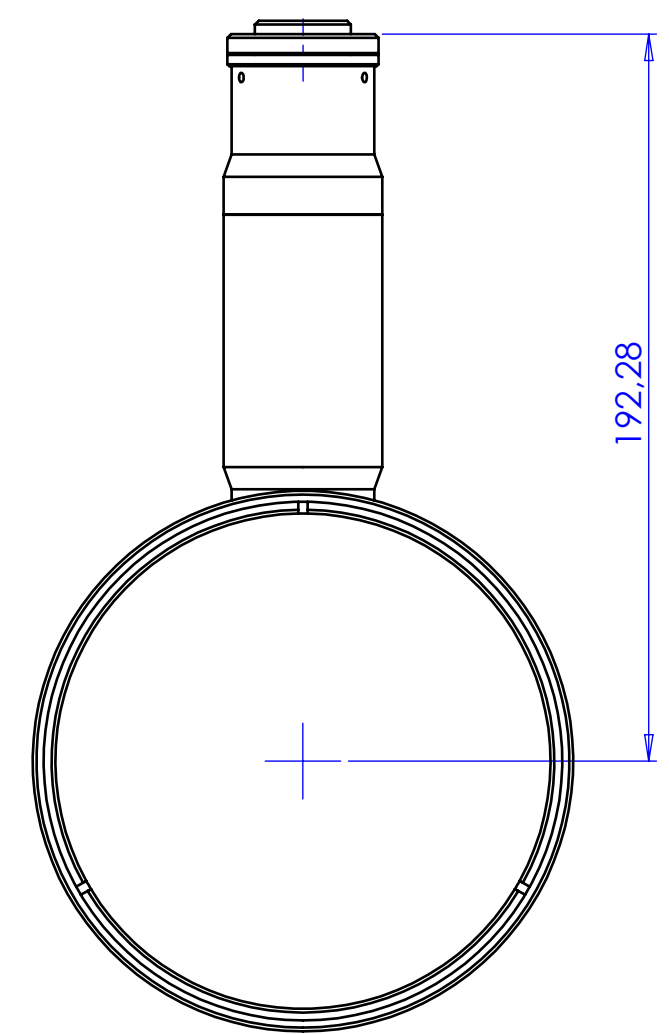
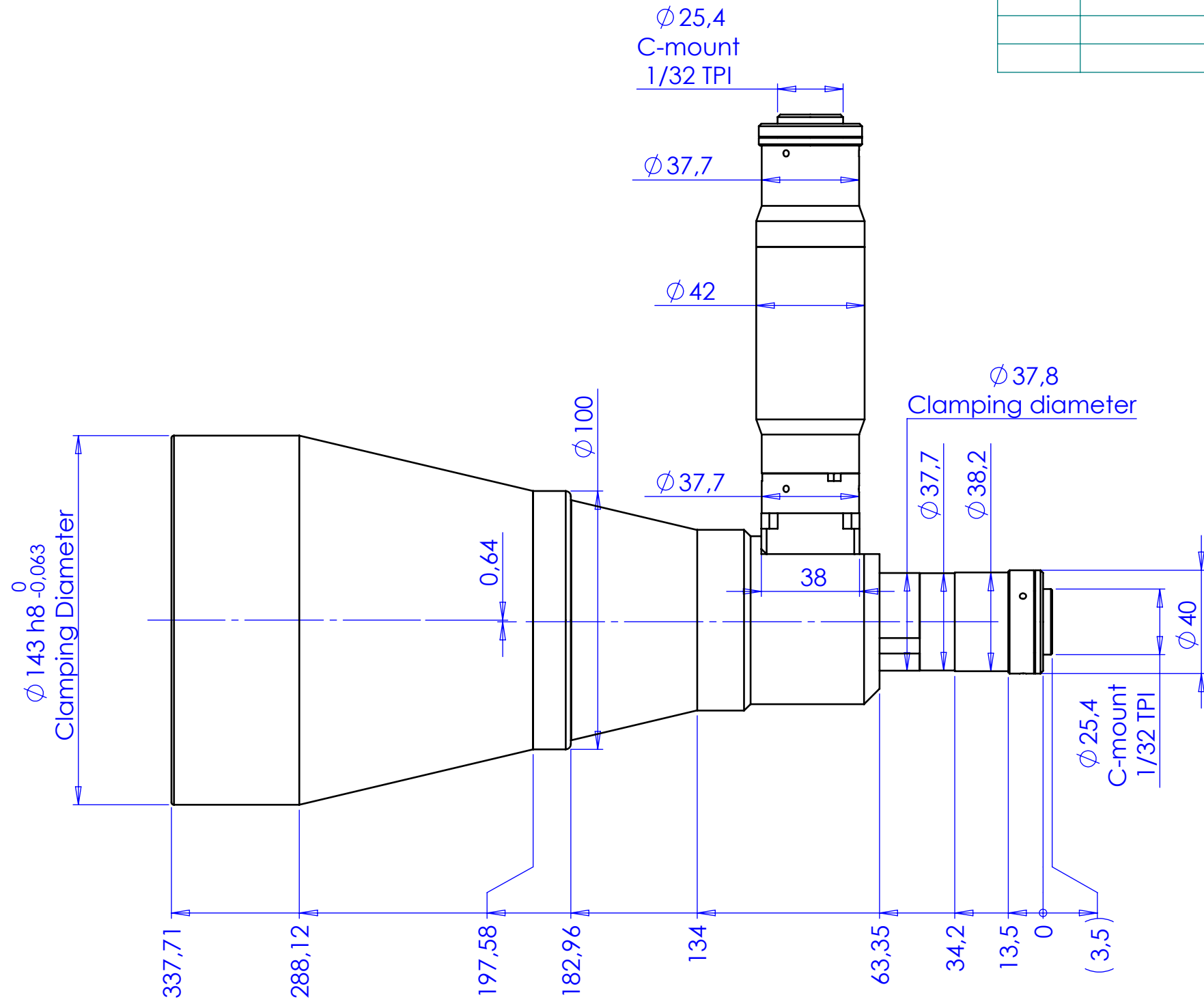


Rev No.	Description	Date	Name



Material	N.A.		Mass	2941 g	Scale	1:2	
Surface treatment	N.A.		Part No.	CO24462			
Geometrical tolerance (ISO 2768-2)		Class	K	Undimensioned bevels	0,5x45°	Description TCDP23C4XC096	
Linear tolerance (ISO 2768-2)		Class	m	Undimensioned radii	R 0,5		
0,5 ±3	>3± 6	>6± 30	>30± 120	>120 ±400	>400± 1000	>1000 ±2000	>2000 ±4000
±0,1	±0,1	±0,2	±0,3	±0,5	±0,8	±1,2	±2
		Date	Name	Drawing No.	Sheet		
		Designed	26/03/2015	Rodella	DP 24462-A		
		Drawn	29/09/2015	Rodella			
		Checked		<i>Secret and confidential - All rights reserved - No copy, dissemination or circulation is allowed unless specifically authorized in writing by OPTO ENGINEERING S.r.l. - Any violation shall be legally prosecuted.</i>			
OPTO ENGINEERING S.r.l. - Mantova Italy - Tel. +39 0376 699111 - www.opto-engineering.com							

all dimensions are in mm

A
B
C
D

A
B
C
D

1 2 3 4 5 6 7 8

1 2 3 4 5 6 7 8

0 1 2 3 4 5 6 7 8 9 10