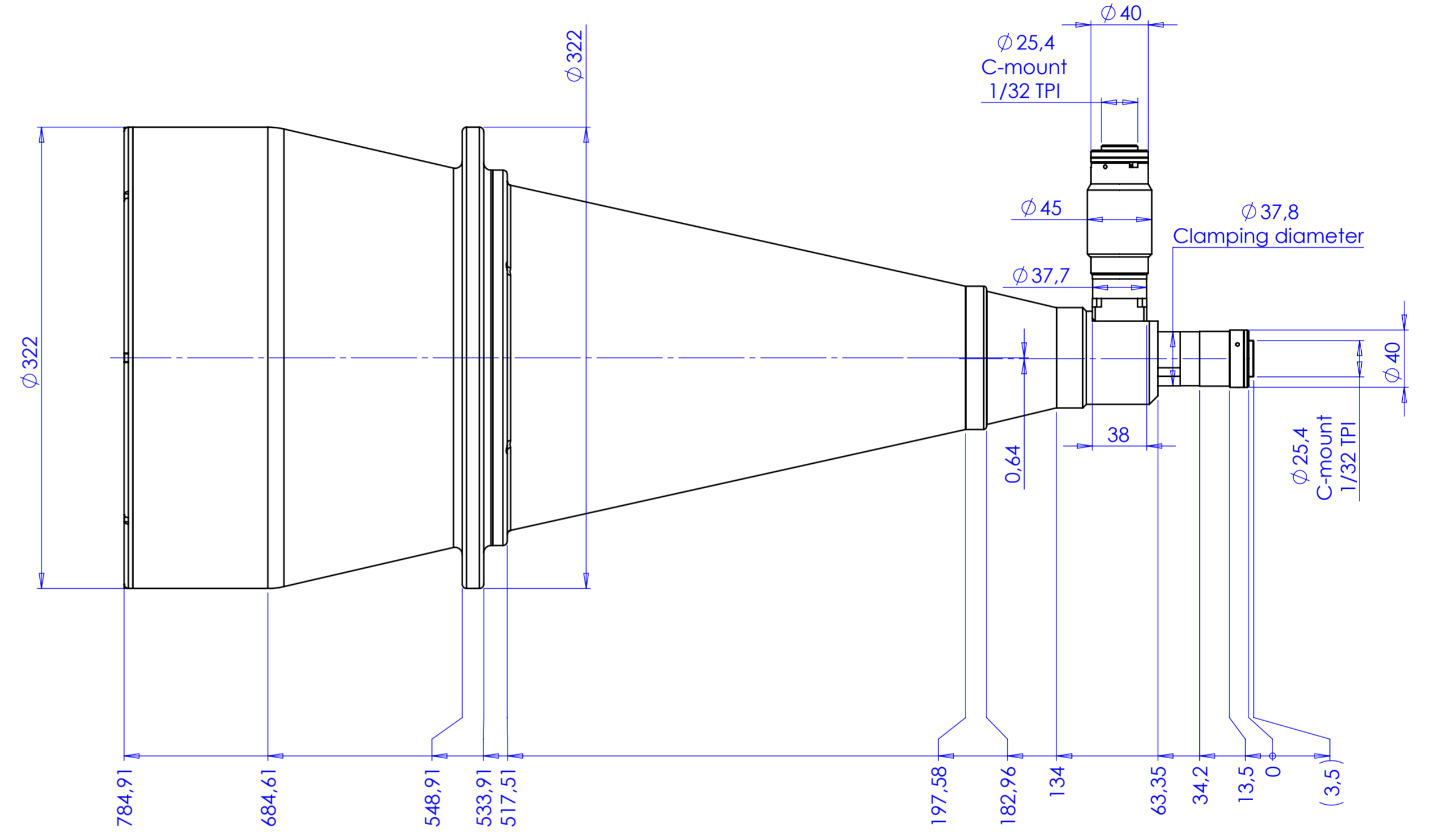
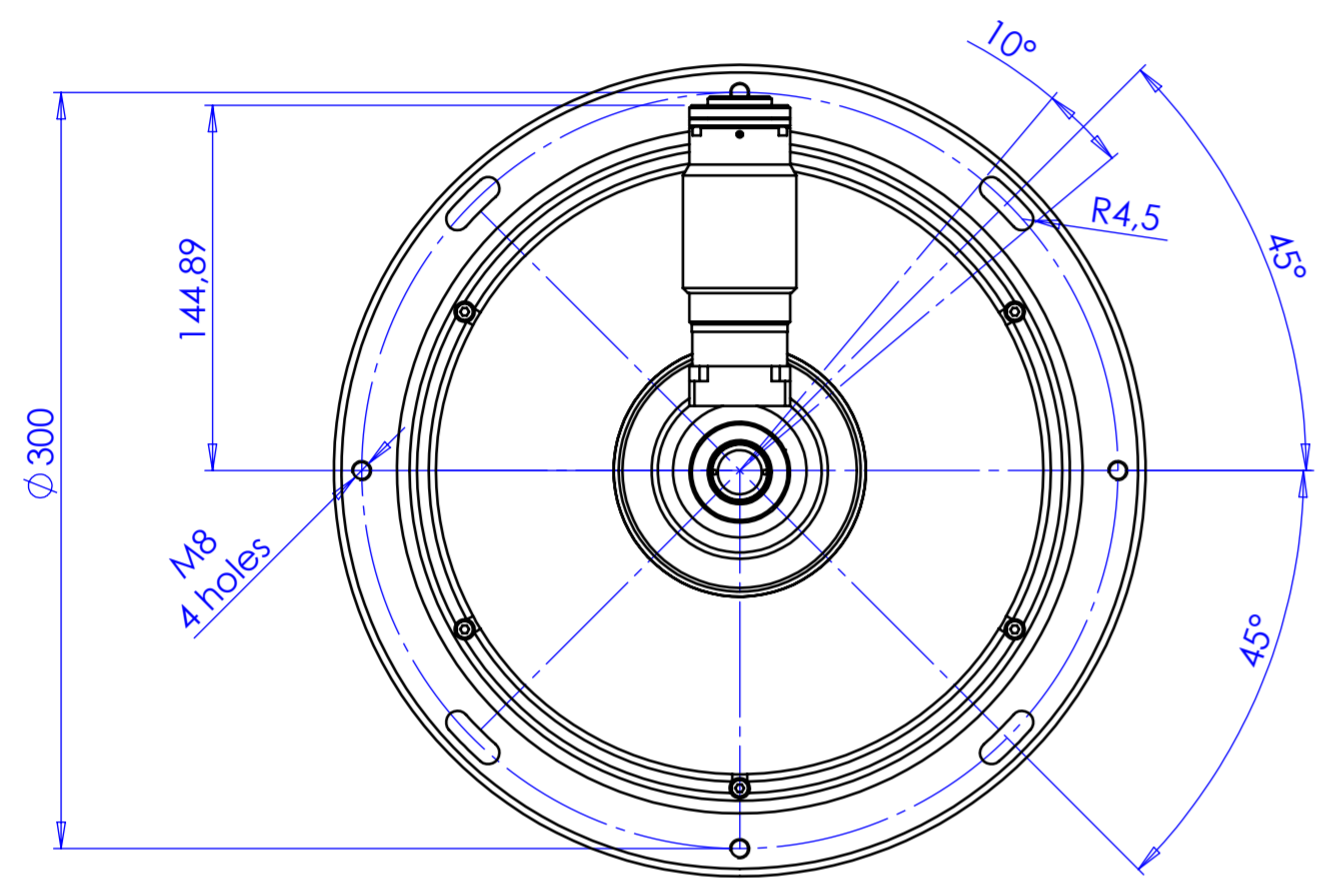


Rev No.	Description	Date	Name



Material	N.A.	Mass	18805 g	Scale	1:3
Surface treatment	N.A.	Part No.	CO24471		
Geometrical tolerance (ISO 2768-2)	Class	K	Undimensioned bevels	0.5x45°	Description TC2DP23C4MC240
Linear tolerance (ISO 2768-2)	Class	m	Undimensioned radii	R 0.5	
	Designed	26/03/2015	Name		Drawing No. DP 24471-A
	Drawn	09/10/2015	Name		
	Checked		Name		
OPTO ENGINEERING S.r.l. - Mantova Italy - Tel. +39 0376 699111 - www.opto-engineering.com					
Secret and confidential - All rights reserved - No copy, dissemination or circulation is allowed unless specifically authorized in writing by OPTO ENGINEERING S.r.l. - Any violation shall be legally prosecuted.					

all dimensions are in mm

Sheet
1/1