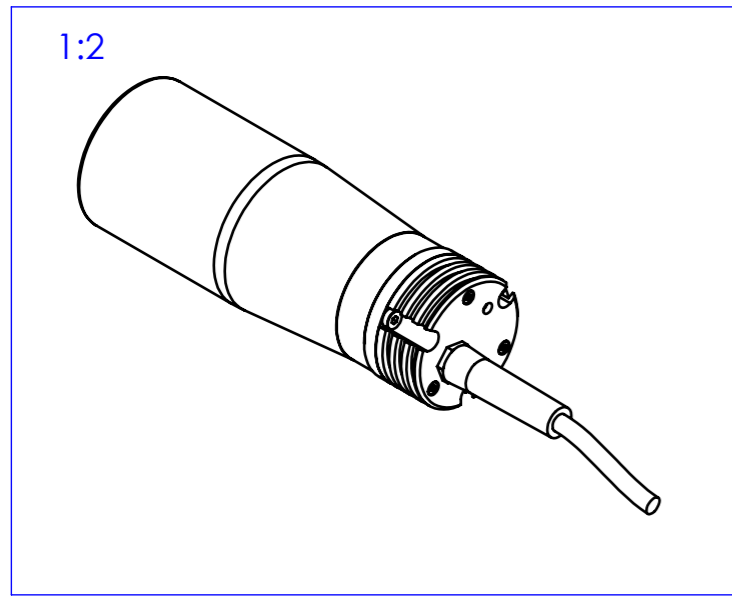
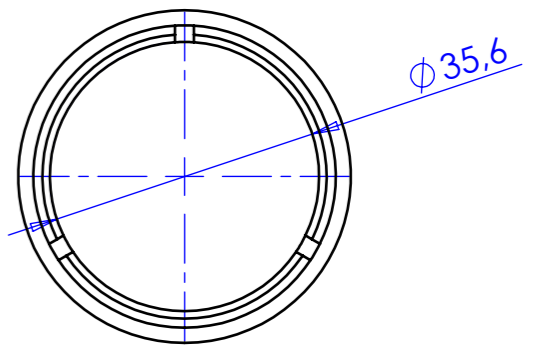
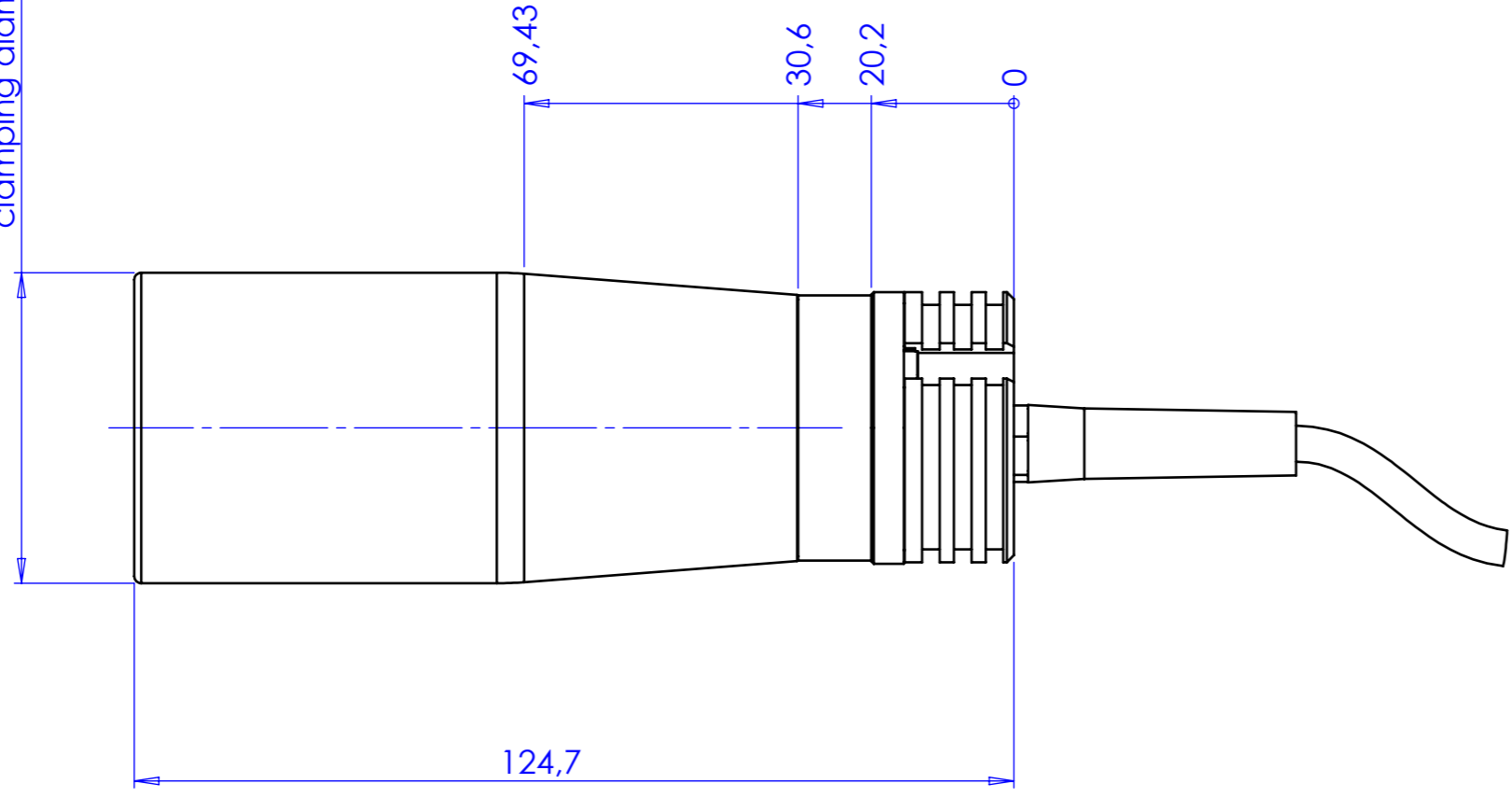


1 2 3 4 5 6 7 8

Rev No.	Description	Date	Name

$\varnothing 44 \text{ h8 } -0,039$
clamping diameter



Material		N.A.		Surface treatment		N.A.		Mass		284 g		Scale		1:1					
Geometrical tolerance (ISO 2768-2)		Class		K		Undimensioned bevels		0,5x45°		Description		LTRNHP024-W/R/G/B		Part No.		-			
Linear tolerance (ISO 2768-2)		Class		m		Undimensioned radii		R 0.5		Drawing No.		DP 60711 -A		Sheet		1/1			
0.5 ±3		>3÷6		>6÷30		>30÷120		>120		>400÷1000		>1000 ±2000		>2000 ±4000		Date		Name	
±0.1		±0.1		±0.2		±0.3		±0.5		±0.8		±1.2		±2		Designed		19/02/2014 A.Vasconetto	
																Drawn		19/02/2014 P.Rodella	
																Checked			

all dimensions are in mm



OPTO ENGINEERING S.r.l. - Mantova Italy - Tel. +39 0376 699111 - www.opto-engineering.com

Secret and confidential - All rights reserved - No copy, dissemination or circulation is allowed unless specifically authorized in writing by OPTO ENGINEERING S.r.l. - Any violation shall be legally prosecuted.

1 2 3 4 5 6 7 8

0 1 2 3 4 5 6 7 8 9 10