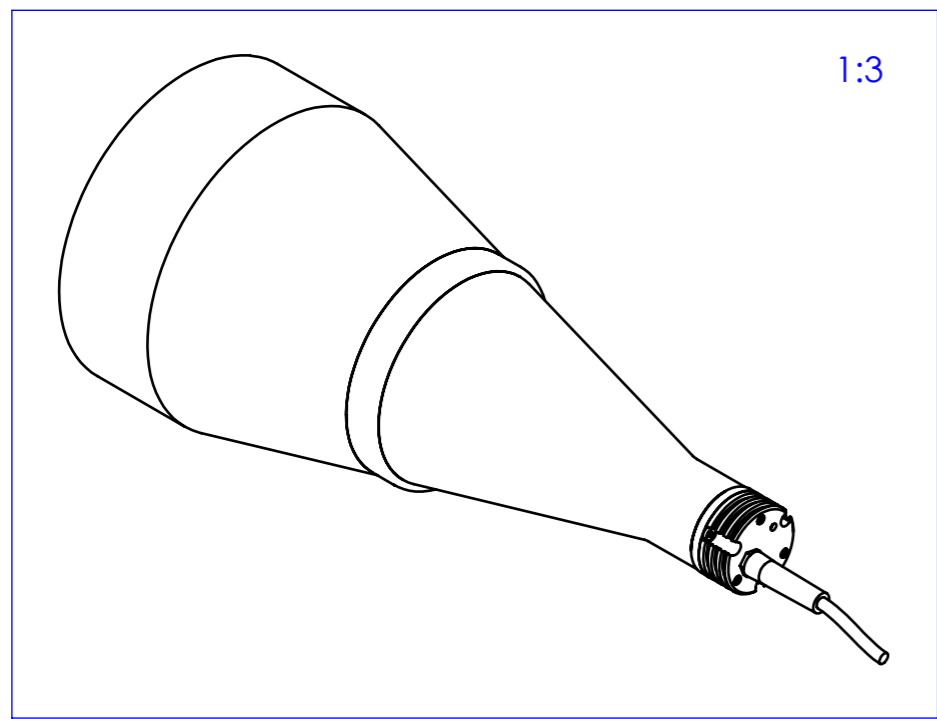
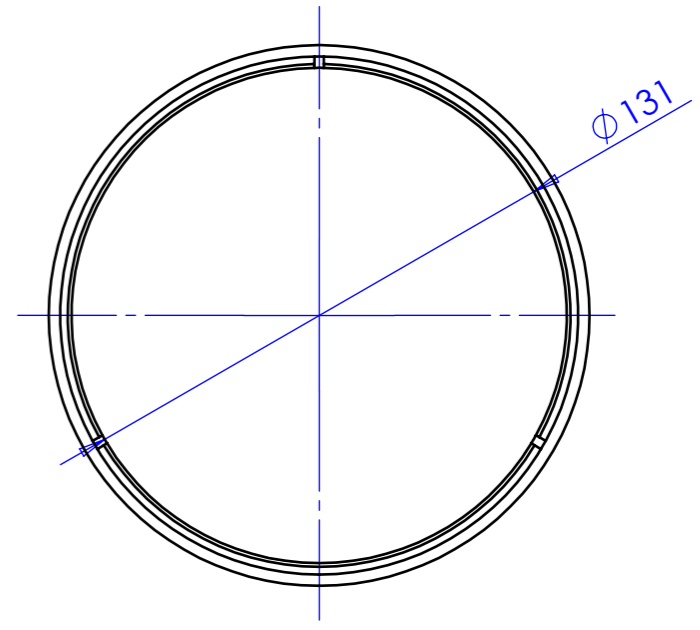
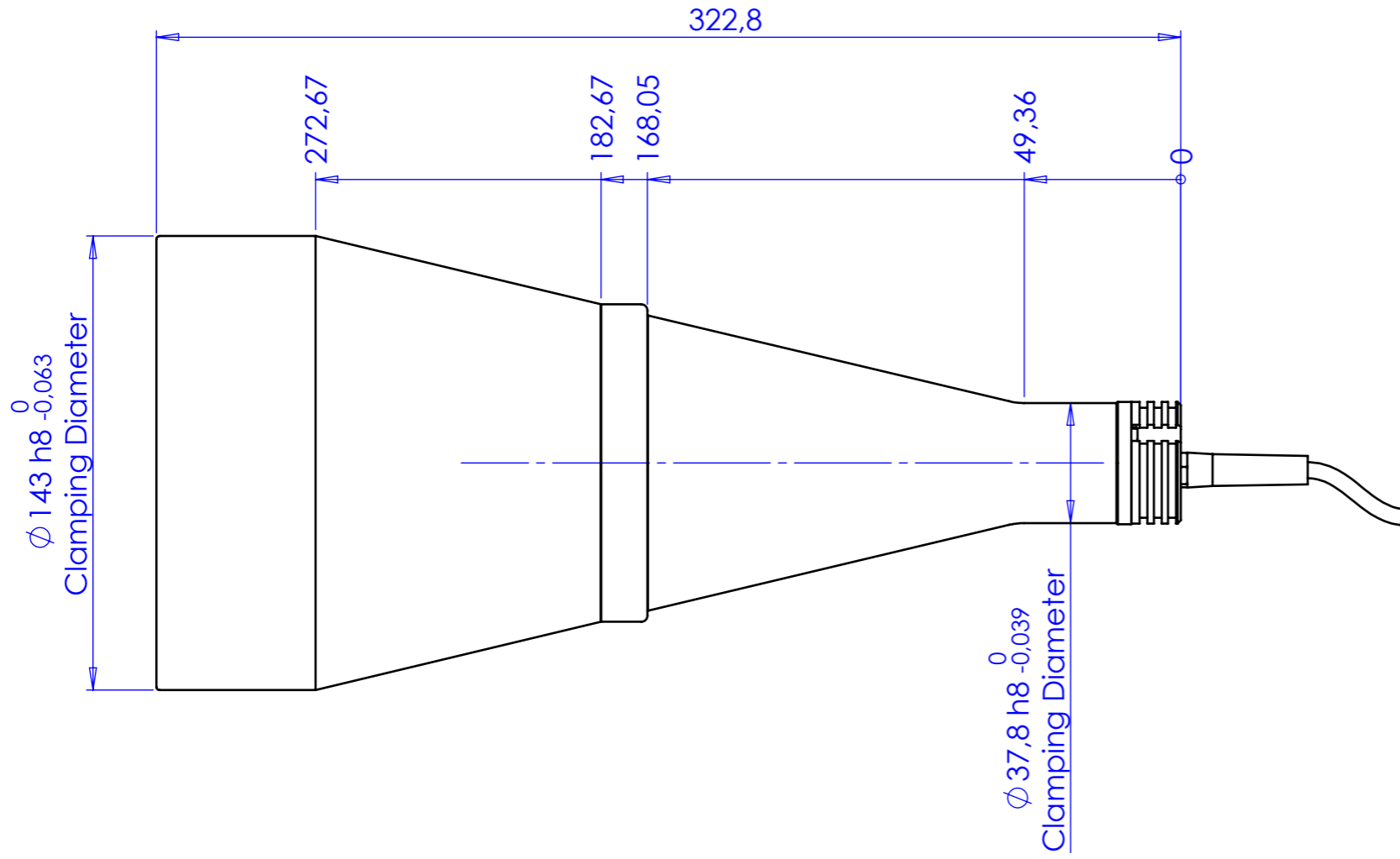


Rev No.	Description	Date	Name



Material	N.A.			Mass	2161 g	Scale	1:2	
Surface treatment	N.A.			Part No.	-			
Geometrical tolerance (ISO 2768-2)			Class	K	Description			
Linear tolerance (ISO 2768-2)			Class	m	Undimensioned bevels	0,5x45°	LTCLHP096-W/R/G/B	
0,5 ±3	>3± 6	>6± 30	>30± 120	>120 ±400	>400± 1000	>1000 ±2000		>2000 ±4000
±0,1	±0,1	±0,2	±0,3	±0,5	±0,8	±1,2	±2	
Undimensioned radii			R 0,5		Drawing No.			
			Date	Name	Sheet			
Designed 19/02/2014 A.Vasconetto Drawn 19/02/2014 P.Rodella Checked			Date 19/02/2014 Name A.Vasconetto Date 19/02/2014 Name P.Rodella		Drawing No. DP 60735-A Sheet 1/1			
all dimensions are in mm OPTO ENGINEERING S.r.l. - Mantova Italy - Tel. +39 0376 699111 - www.opto-engineering.com								Secret and confidential - All rights reserved - No copy, dissemination or circulation is allowed unless specifically authorized in writing by OPTO ENGINEERING S.r.l. - Any violation shall be legally prosecuted.