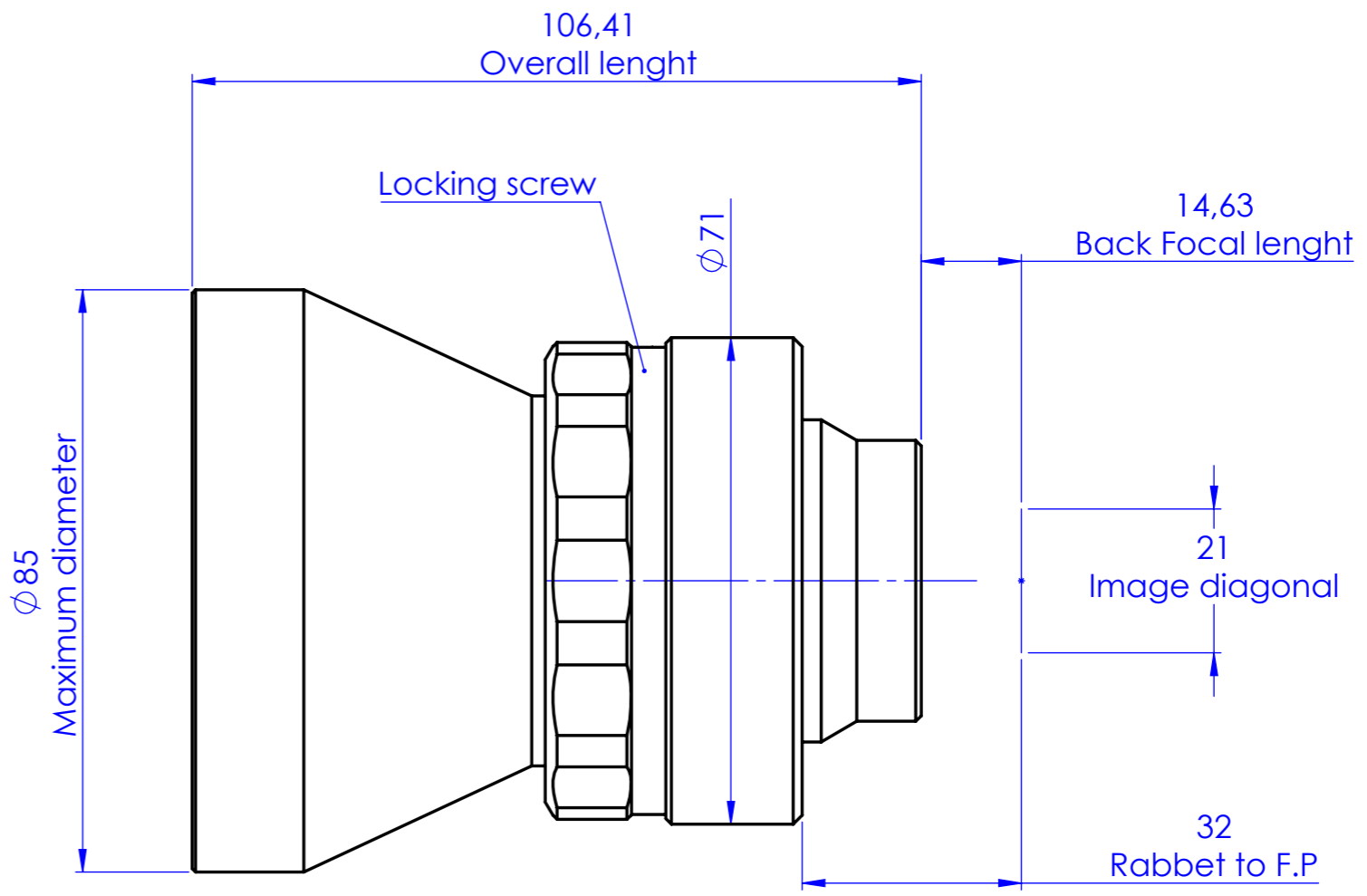
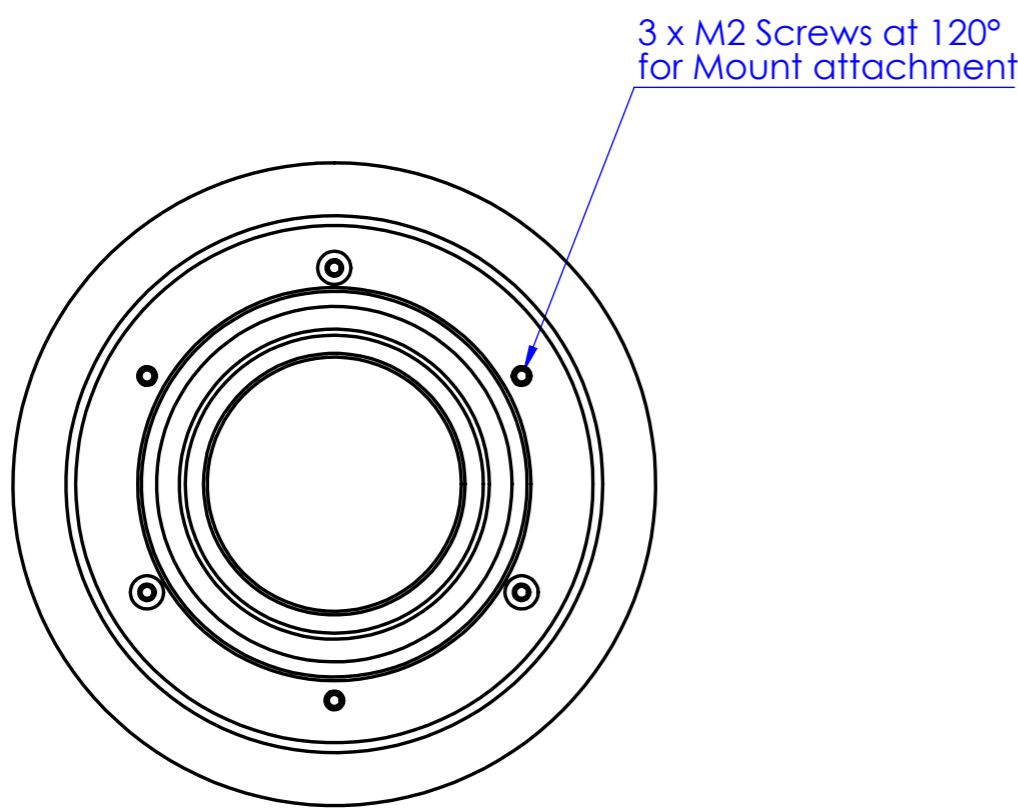


1 2 3 4 5 6 7 8

Rev No.	Description	Date	Name



Material		N.A				Mass	850 g	Scale	1:1		
Surface treatment		N.A				Part No.				CO71294	
Geometrical tolerance (ISO 2768-2)				Class	K	Undimensioned bevels		0,5x45°		Description	
Linear tolerance (ISO 2768-2)				Class	m	Undimensioned radii		R 0.5		LW07514	
0.5 ±3	>3± 6	>6± 30	>30± 120	>120 ±400	>400± 1000	>1000 ±2000	>2000 ±4000	Date		Name	
±0.1	±0.1	±0.2	±0.3	±0.5	±0.8	±1.2	±2	17/07/12		A. Vismara	
				Designed		10/03/16		P. Rodella		Drawing No.	
				Drawn		Checked		DP71294-A		Sheet	
<b>OPTO ENGINEERING S.r.l. - Mantova Italy - Tel. +39 0376 699111 - www.opto-engineering.com</b>										<i>Secret and confidential - All rights reserved - No copy, dissemination or circulation is allowed unless specifically authorized in writing by OPTO ENGINEERING S.r.l. - Any violation shall be legally prosecuted.</i>	

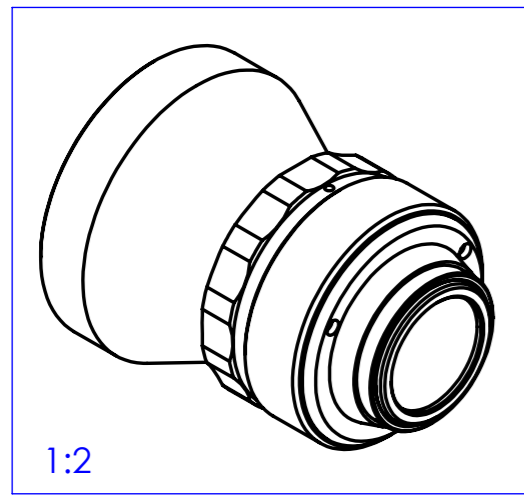
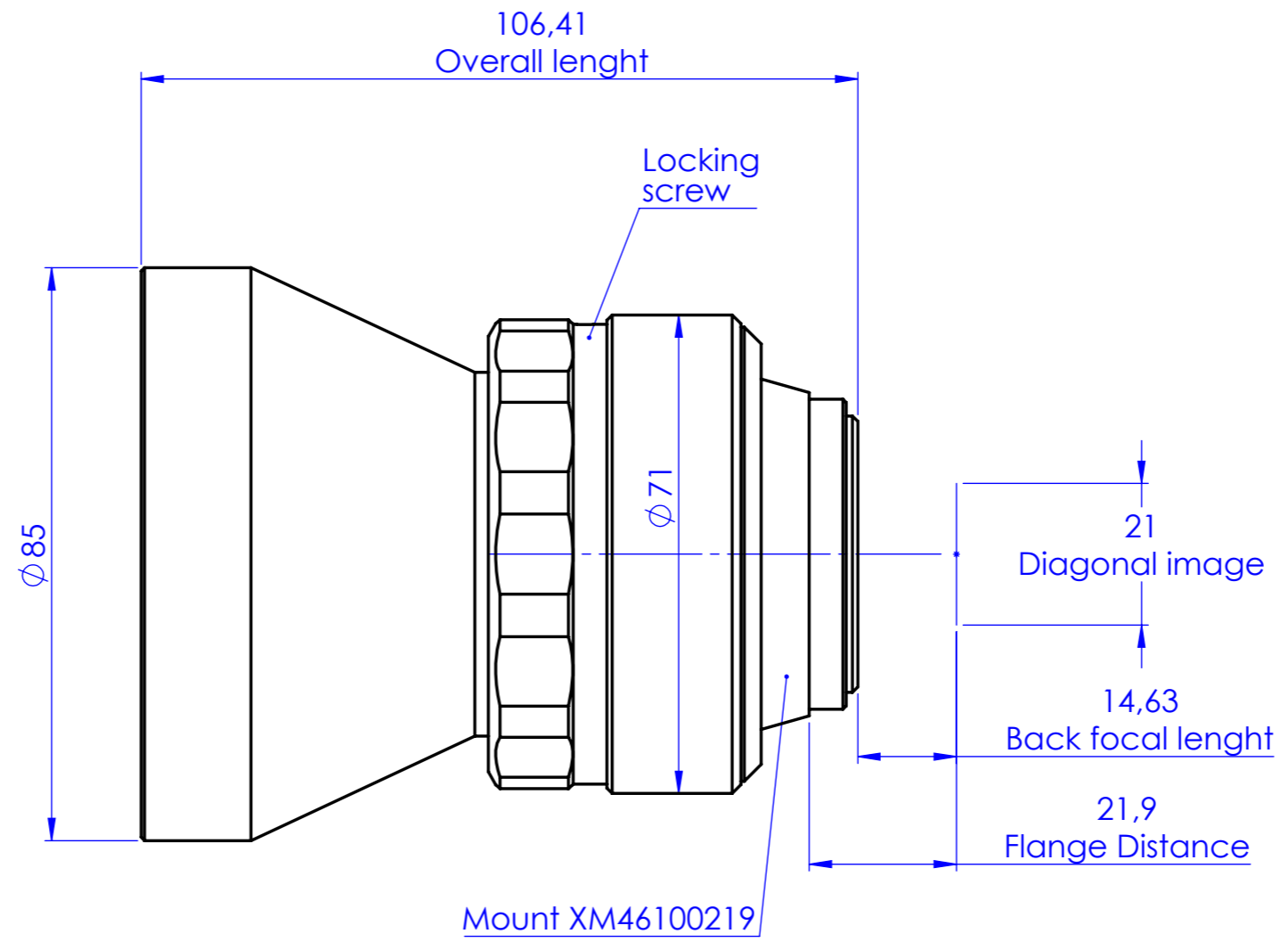
1 2 3 4 5 6 7 8

0 1 2 3 4 5 6 7 8 9 10

all dimensions are in mm

1 2 3 4 5 6 7 8

Rev No.	Description	Date	Name



Material	N.A			Mass	910 g	Scale	1:1
Surface treatment	N.A			Part No.	CO71294		
Geometrical tolerance (ISO 2768-2)			Class	K	Description		
Linear tolerance (ISO 2768-2)			Class	m	Undimensioned bevels	0,5x45°	LW07514
0,5 ±3	>3± 6	>6± 30	>30± 120	>120 ±400	>400± 1000	>1000 ±2000	
±0,1	±0,1	±0,2	±0,3	±0,5	±0,8	±1,2	±2
all dimensions are in mm			Date		Name	Drawing No.	
 <b>OPTO ENGINEERING S.r.l. - Mantova Italy - Tel. +39 0376 699111 - www.opto-engineering.com</b>			Designed	17/07/12	A. Vismara	DP71294-A	
			Drawn	10/03/16	P. Rodella	Sheet	
			Checked			2/2	
<i>Secret and confidential - All rights reserved - No copy, dissemination or circulation is allowed unless specifically authorized in writing by OPTO ENGINEERING S.r.l. - Any violation shall be legally prosecuted.</i>							

1 2 3 4 5 6 7 8

0 1 2 3 4 5 6 7 8 9 10