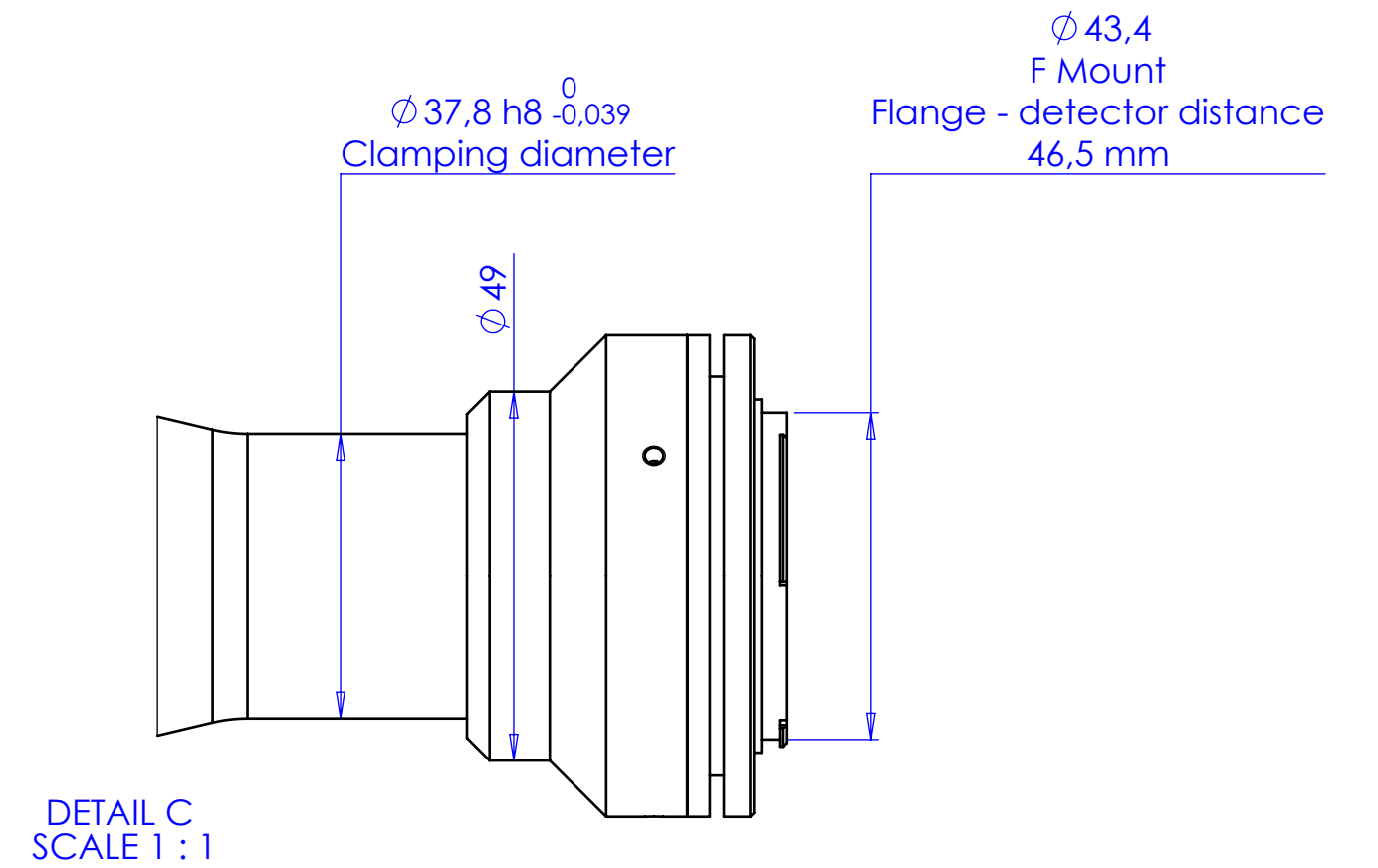
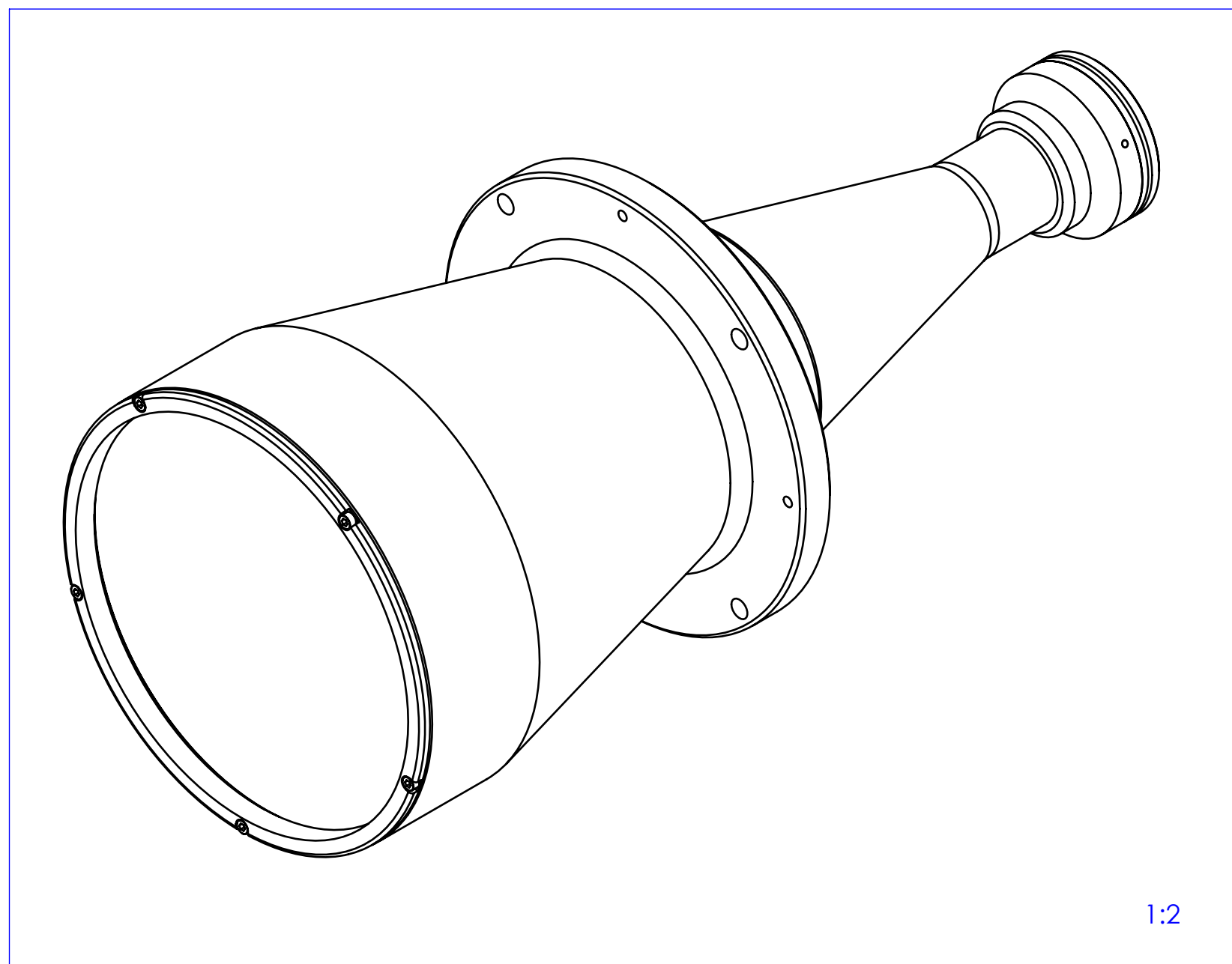
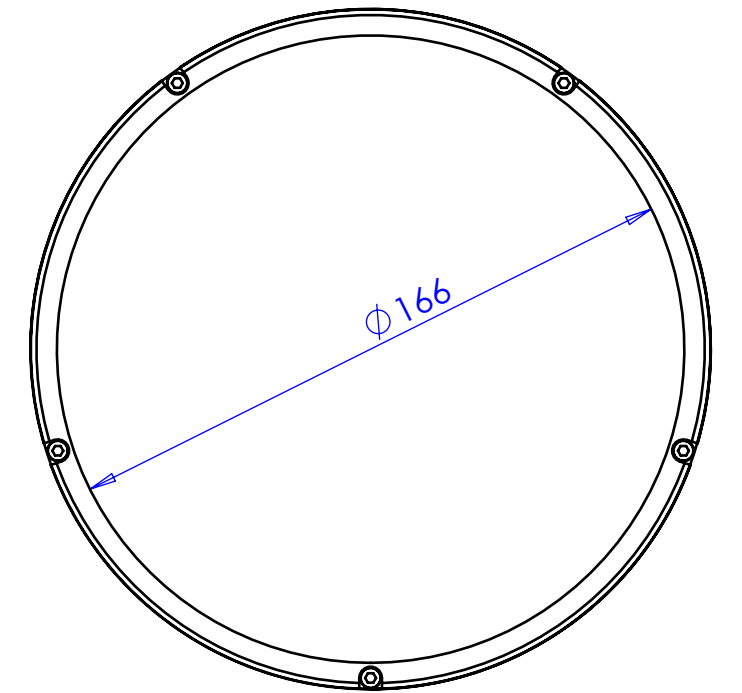
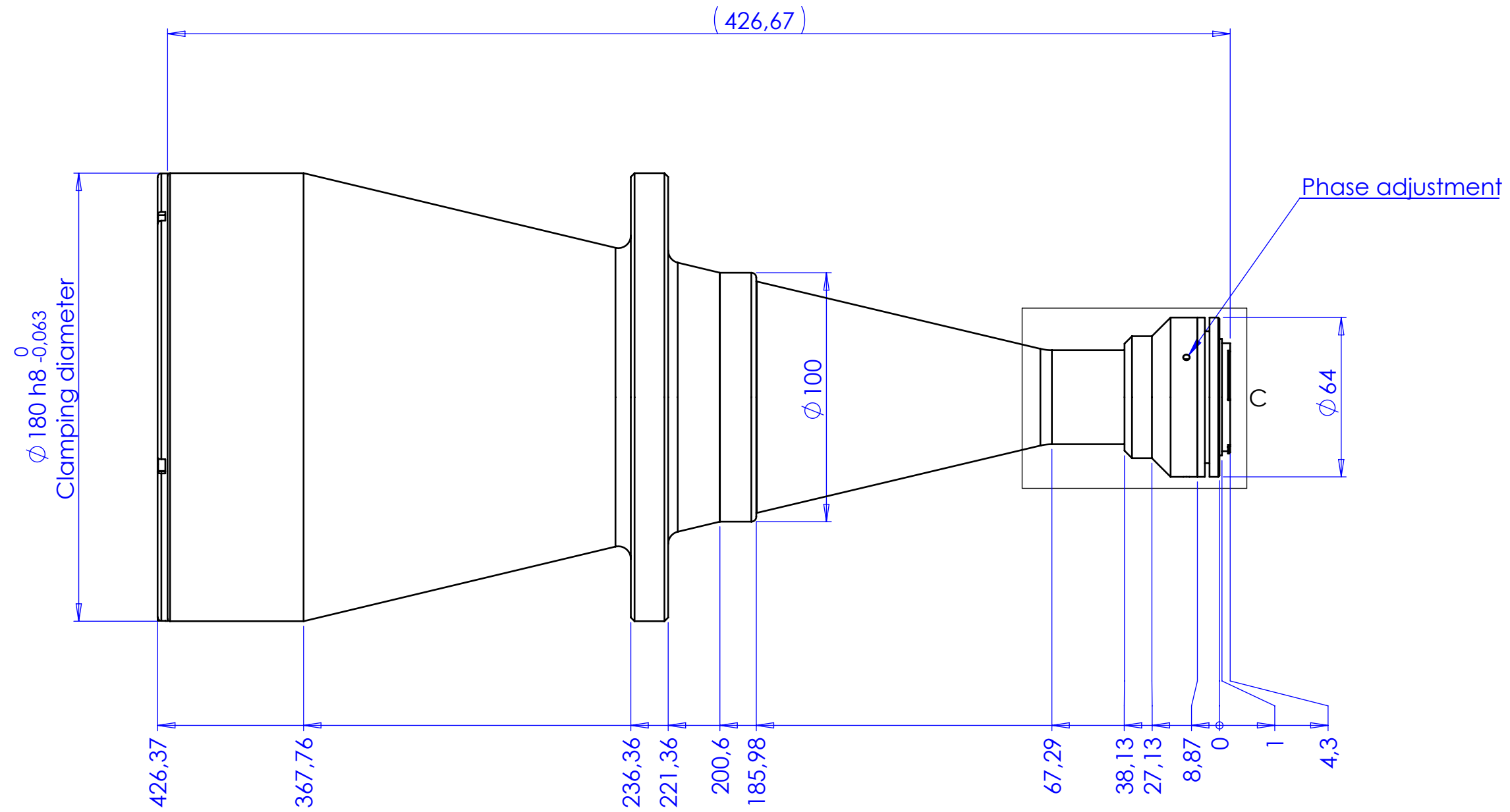
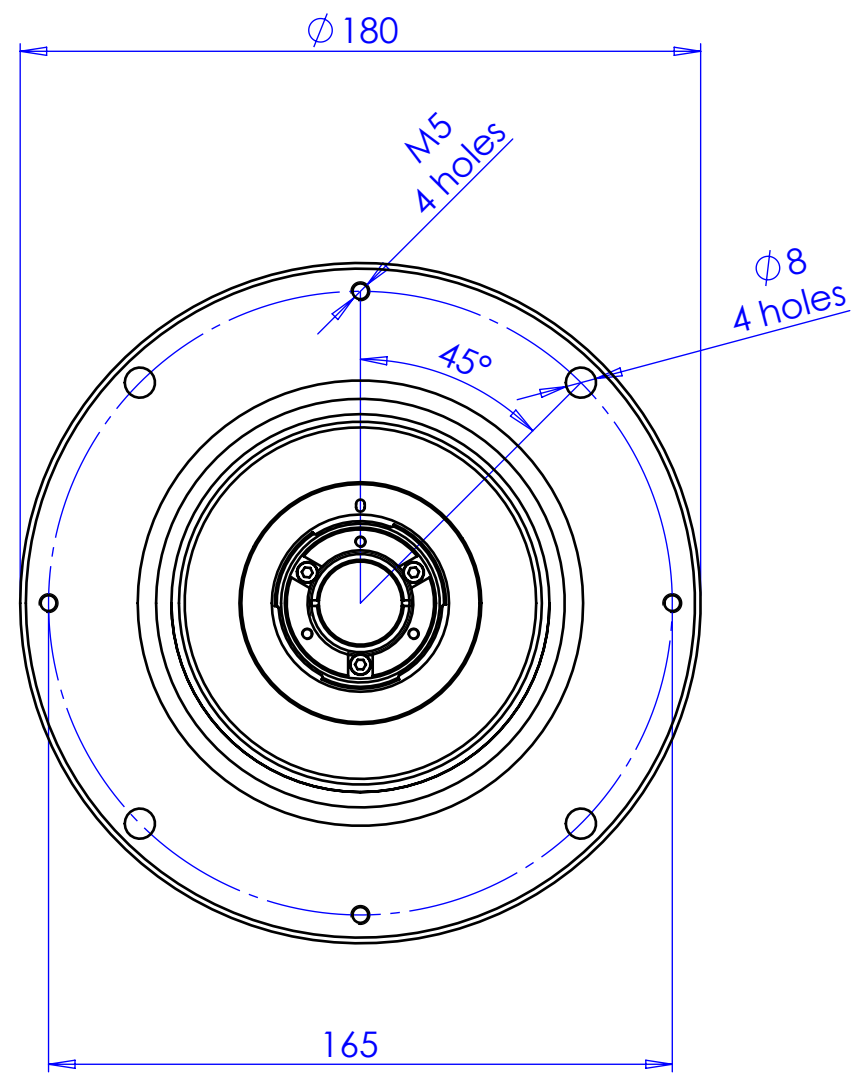


Rev No.	Description	Date	Name
B	Variazione nome	08/07/2014	Vasconetto



Material	N.A.	Mass	4900 g	Scale	1:2
Surface treatment	N.A.	Part No.	CO71409		
Geometrical tolerance (ISO 2768-2)		Class	K	Undimensioned bevels	0,5x45°
Linear tolerance (ISO 2768-2)		Class	m	Undimensioned radii	R 0,5
0.5	>3+	>6+	>30+	>120	>400+
+3	6	30	120	+400	1000
+0,1	+0,1	+0,2	+0,3	+0,5	+0,8
					+1,2
					+2
Date	Name	Description			
Designed 04/04/2014	Vasconetto	TC2MHR120-F			
Drawn 05/06/2014	Rodella	Drawing No.			
Checked		DP 71409-B			
		Date	Name	Sheet	
OPTO ENGINEERING S.r.l. - Mantova Italy - Tel. +39 0376 699111 - www.opto-engineering.com		04/04/2014	Vasconetto	1/1	
		05/06/2014	Rodella		

Secret and confidential - All rights reserved -
 No copy, dissemination or circulation is allowed unless
 specifically authorized in writing by OPTO ENGINEERING
 S.r.l. - Any violation shall be legally prosecuted.