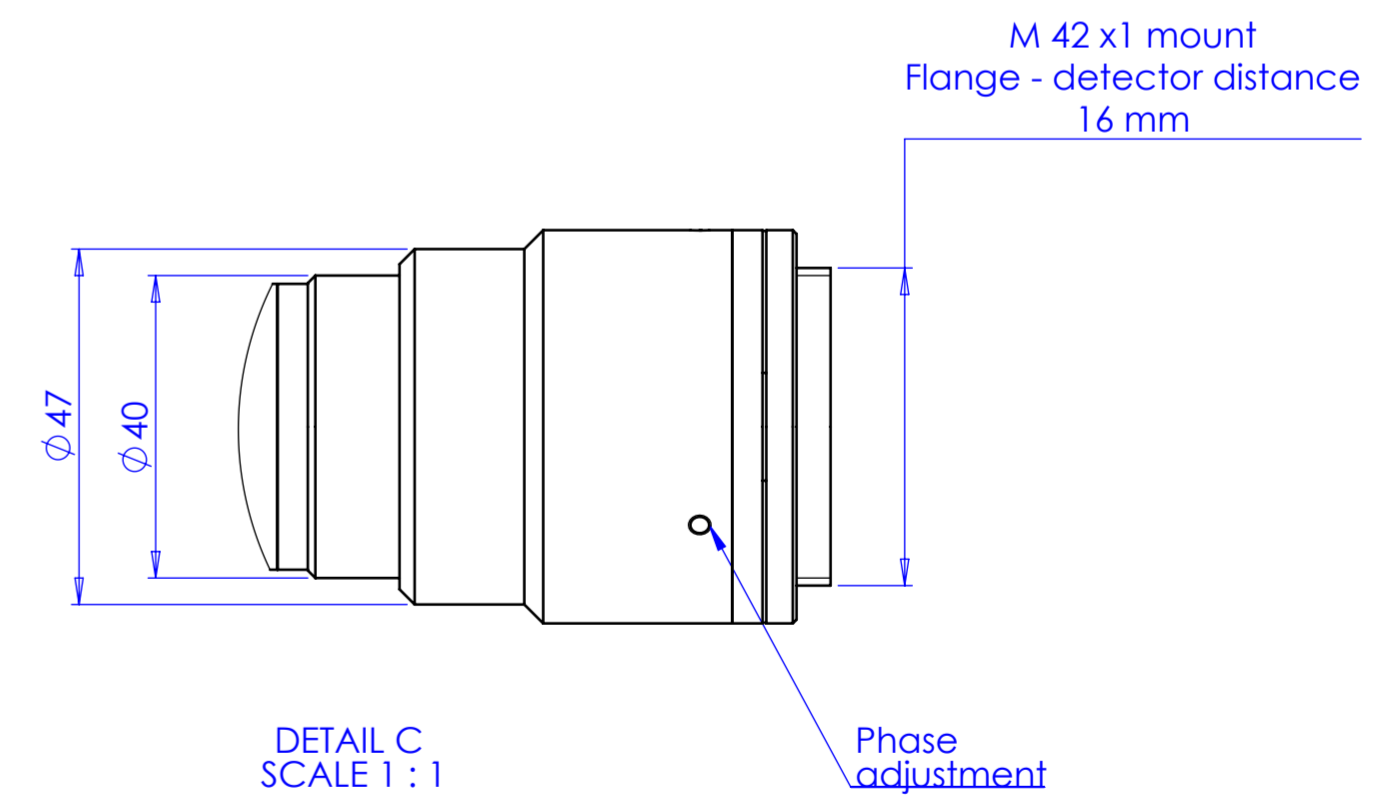
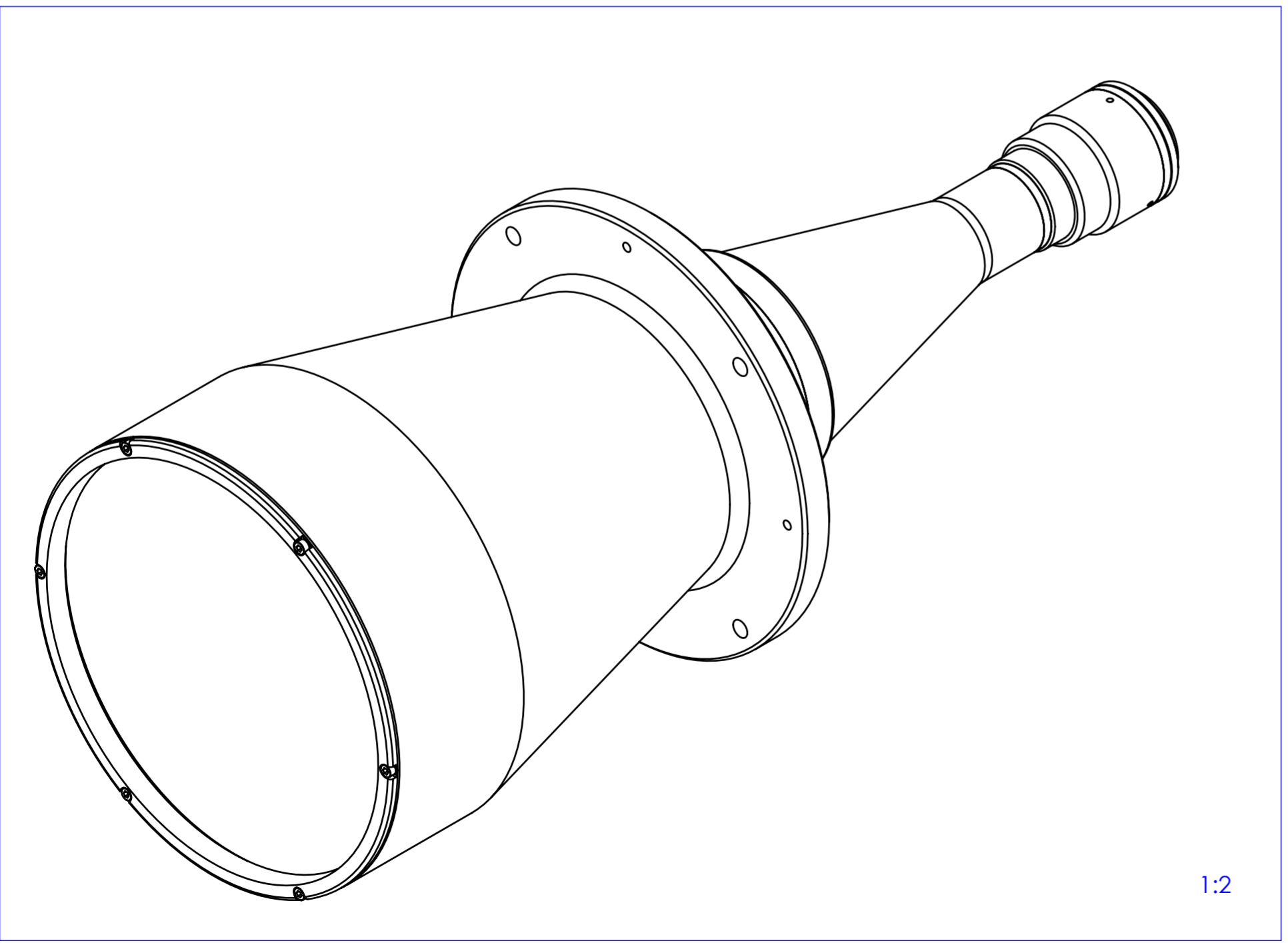
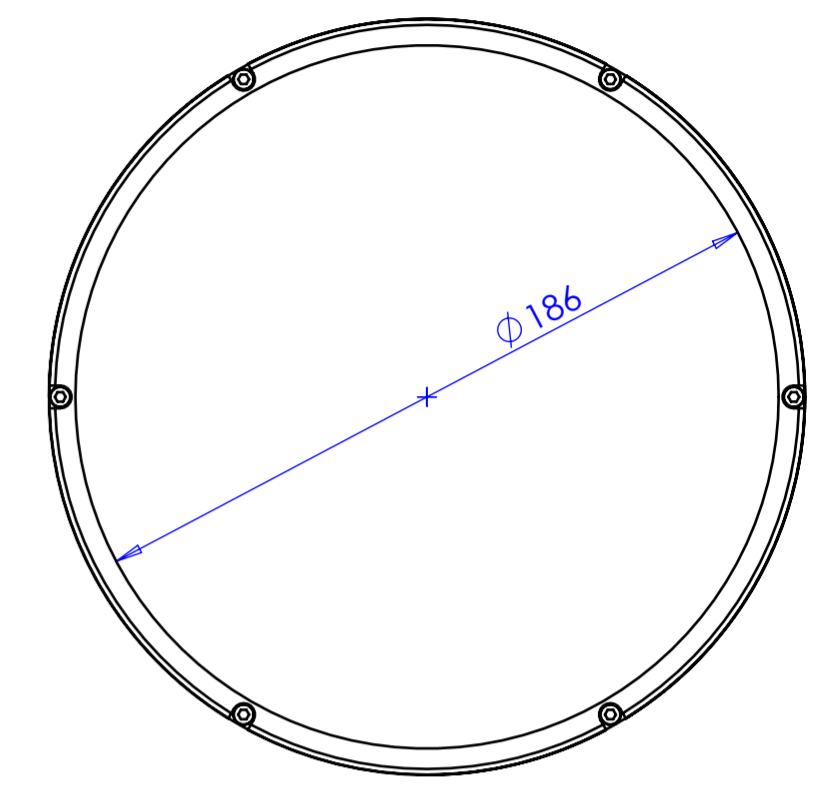
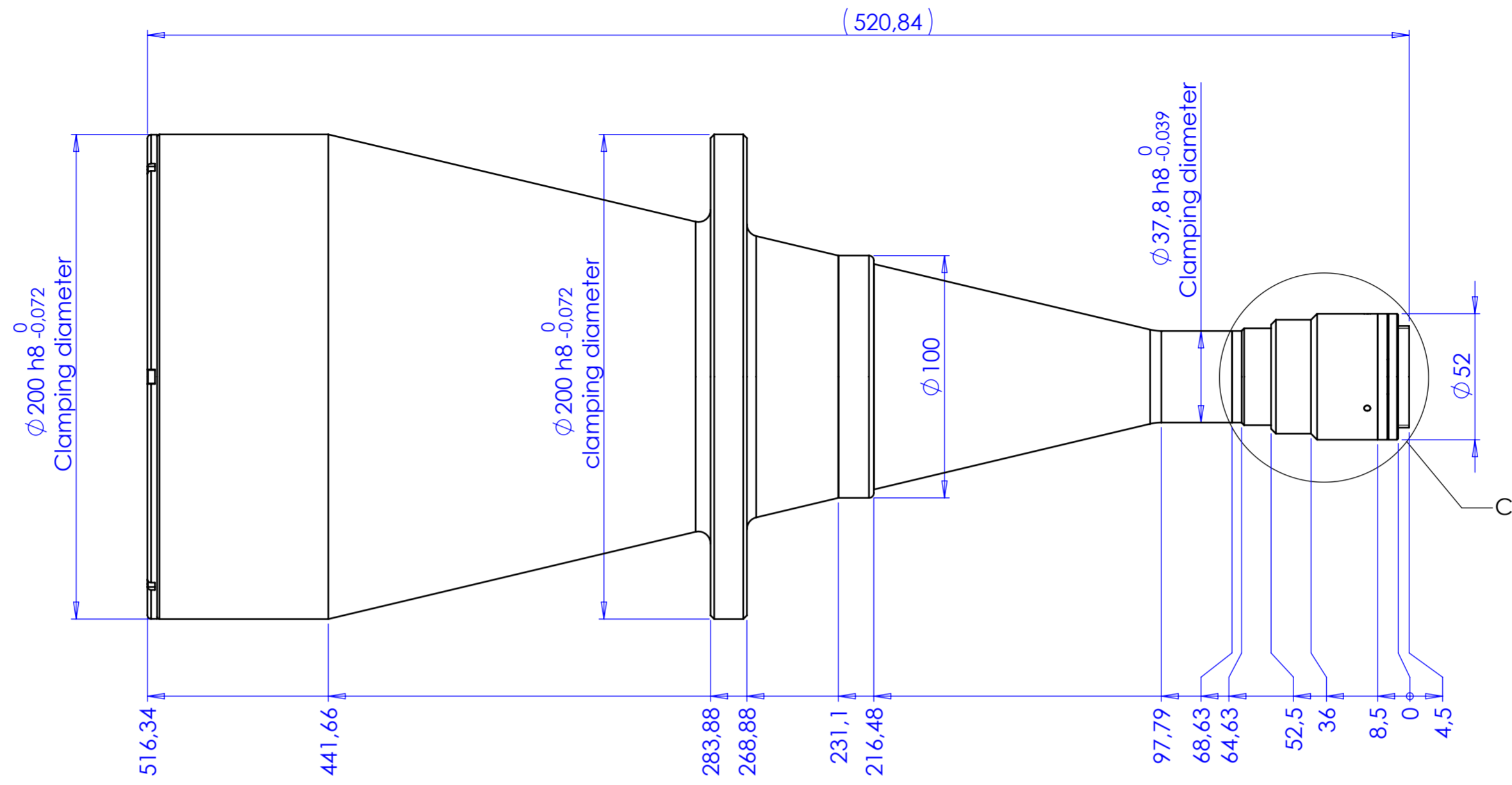
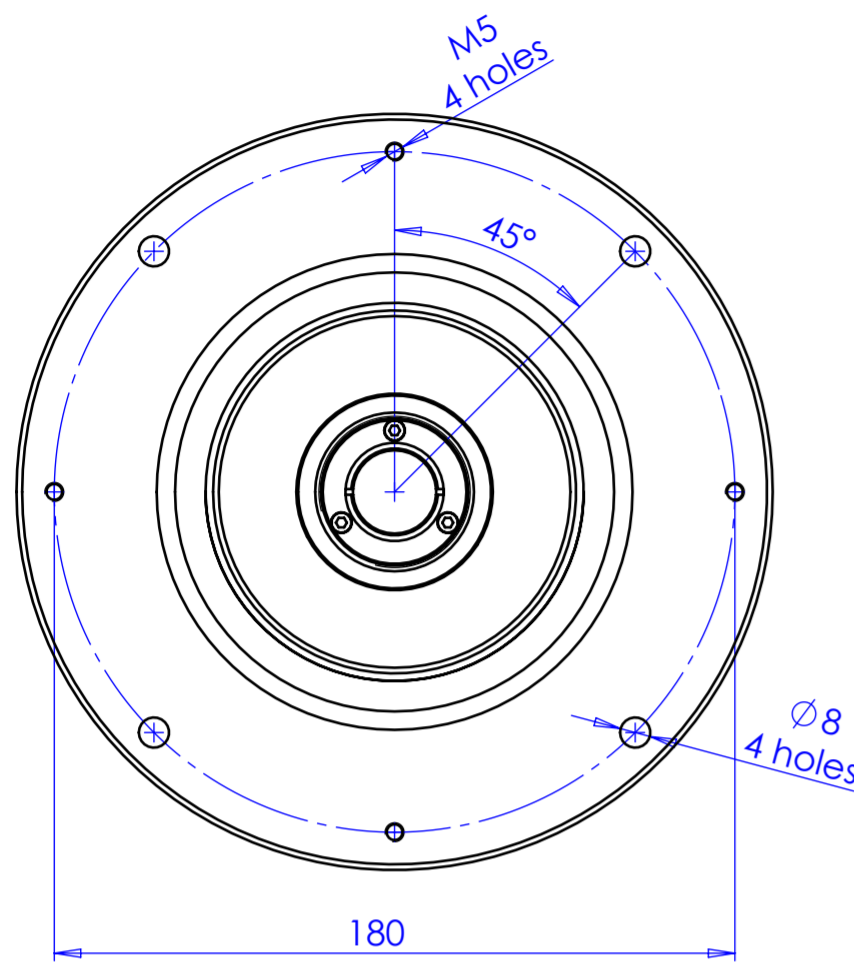


Rev No.	Description	Date	Name
B	Variazione nome	08/07/2014	Vasconetto



Material	N.A.	Mass	5981 g	Scale	1:2
Surface treatment	N.A.	Part No.	CO71413		
Geometrical tolerance (ISO 2768-2)		Class	K	Undimensioned bevels	0.5x45°
Linear tolerance (ISO 2768-2)		Class	m	Undimensioned radii	R 0.5
0.5	>3+	>6+	>30+	>120	>400+
+3	6	30	120	+400	1000
+0.1	+0.1	+0.2	+0.3	+0.5	+0.8
					+1.2
					+2
		Date	Name		
Designed		04/04/2014	Vasconetto		
Drawn		05/06/2014	Rodella		
Checked					
OPTO ENGINEERING S.r.l. - Mantova Italy - Tel. +39 0376 699111 - www.opto-engineering.com		Drawing No.		Sheet	
		DP 71413-B		1/1	
<small>Secret and confidential - All rights reserved - No copy, dissemination or circulation is allowed unless specifically authorized in writing by OPTO ENGINEERING S.r.l. - Any violation shall be legally prosecuted.</small>					

1:2

all dimensions are in mm