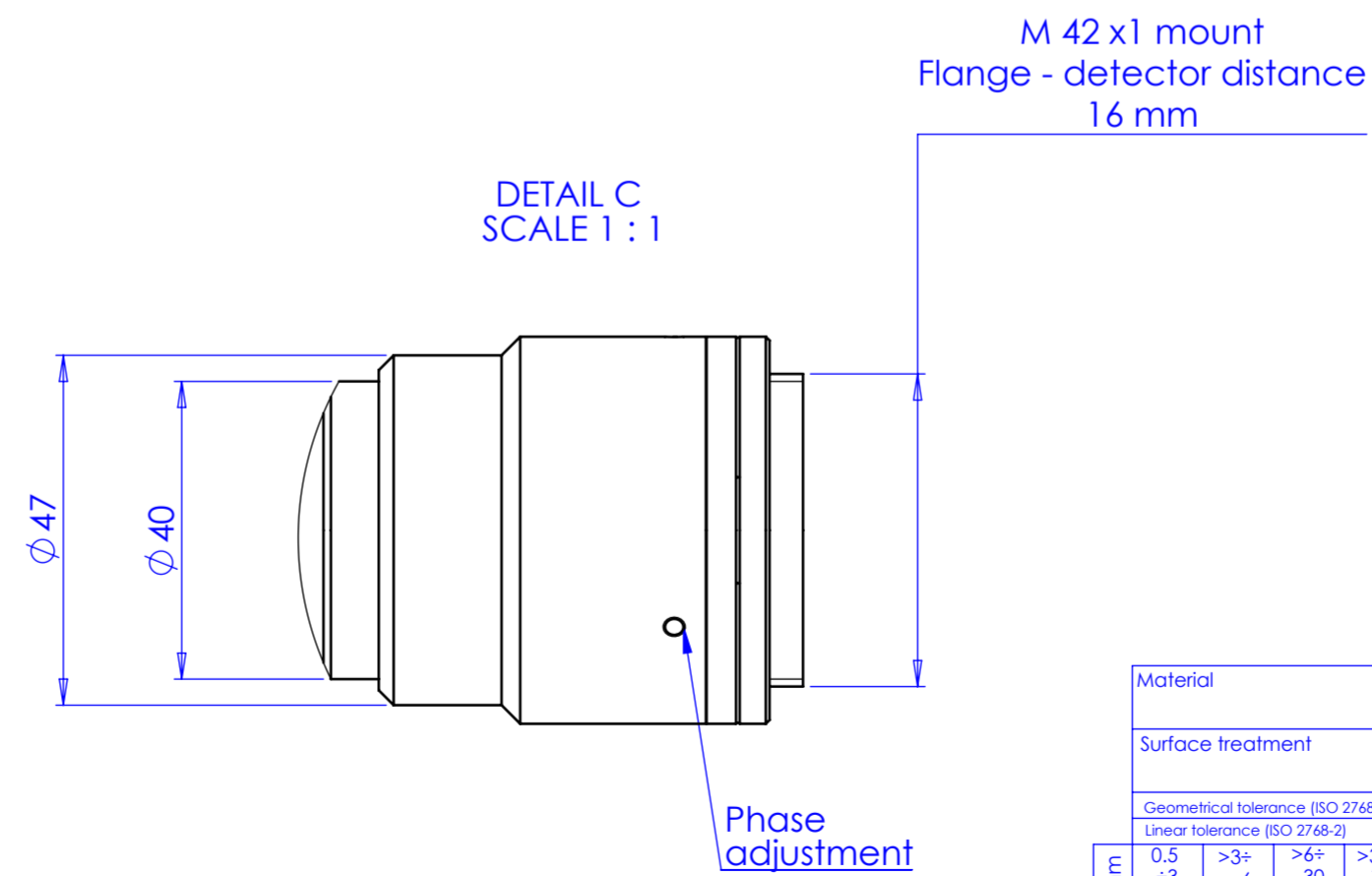
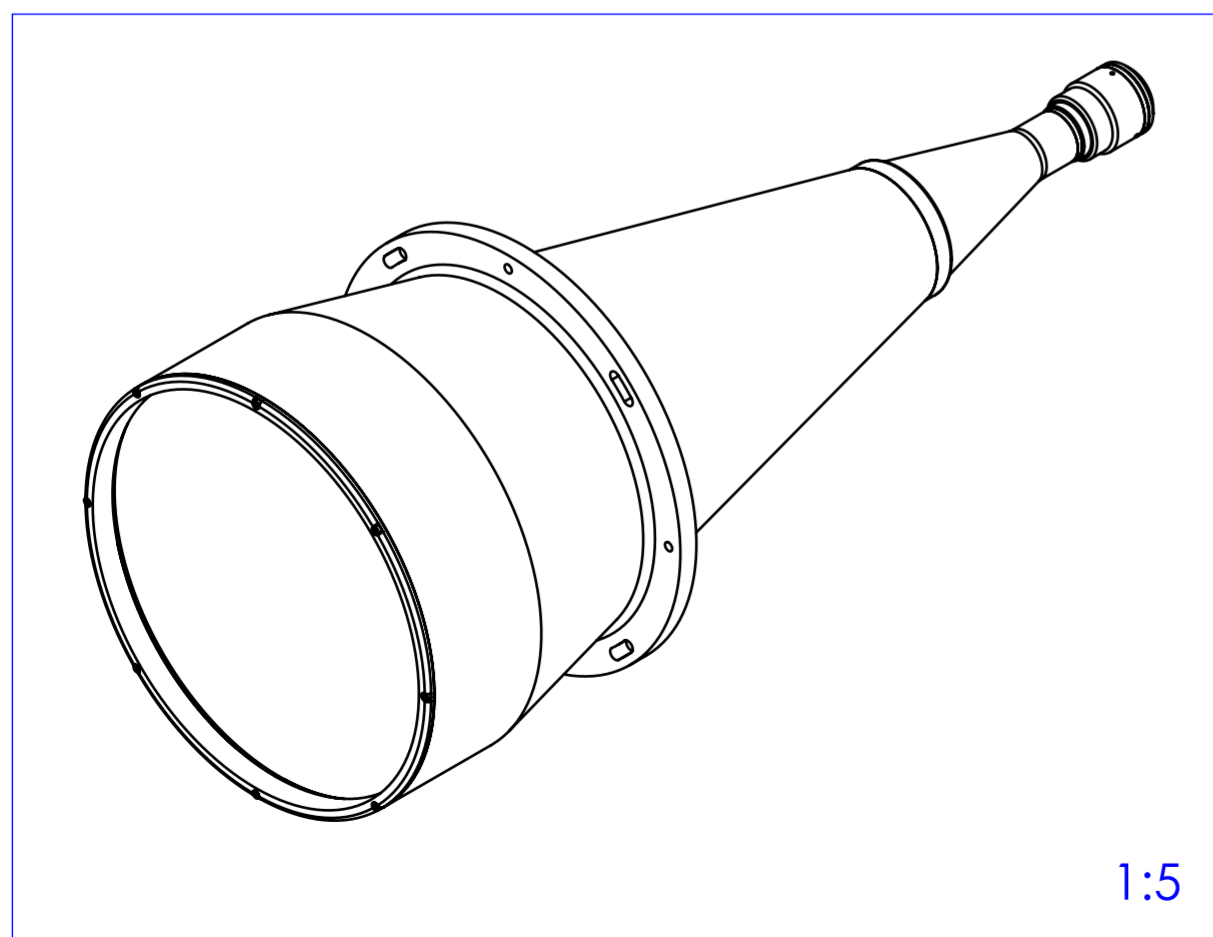
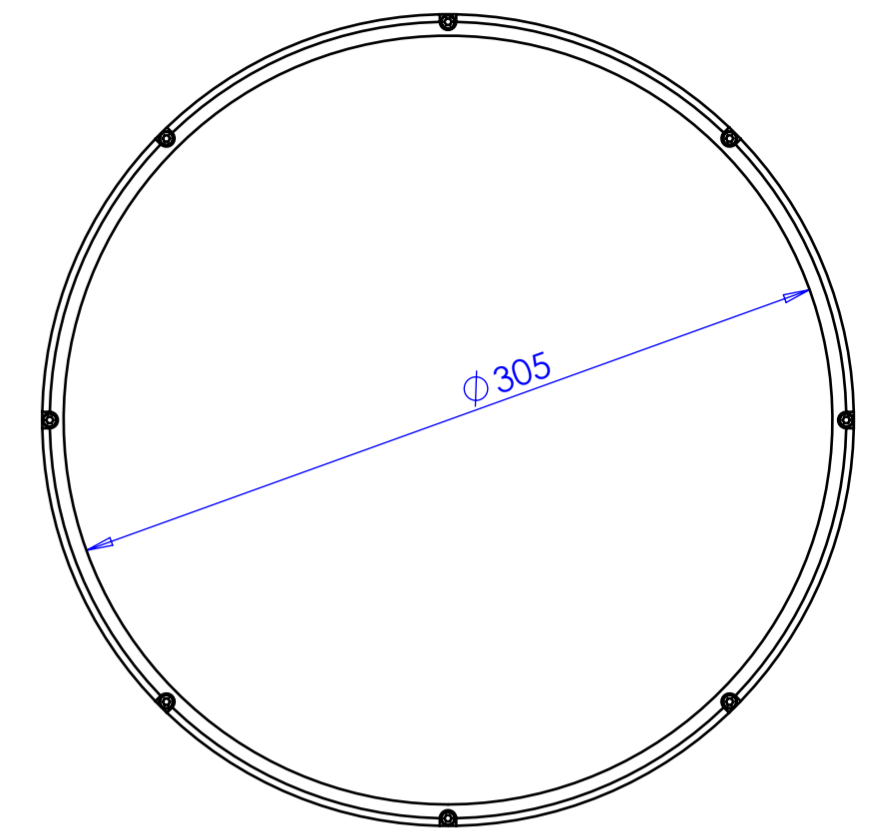
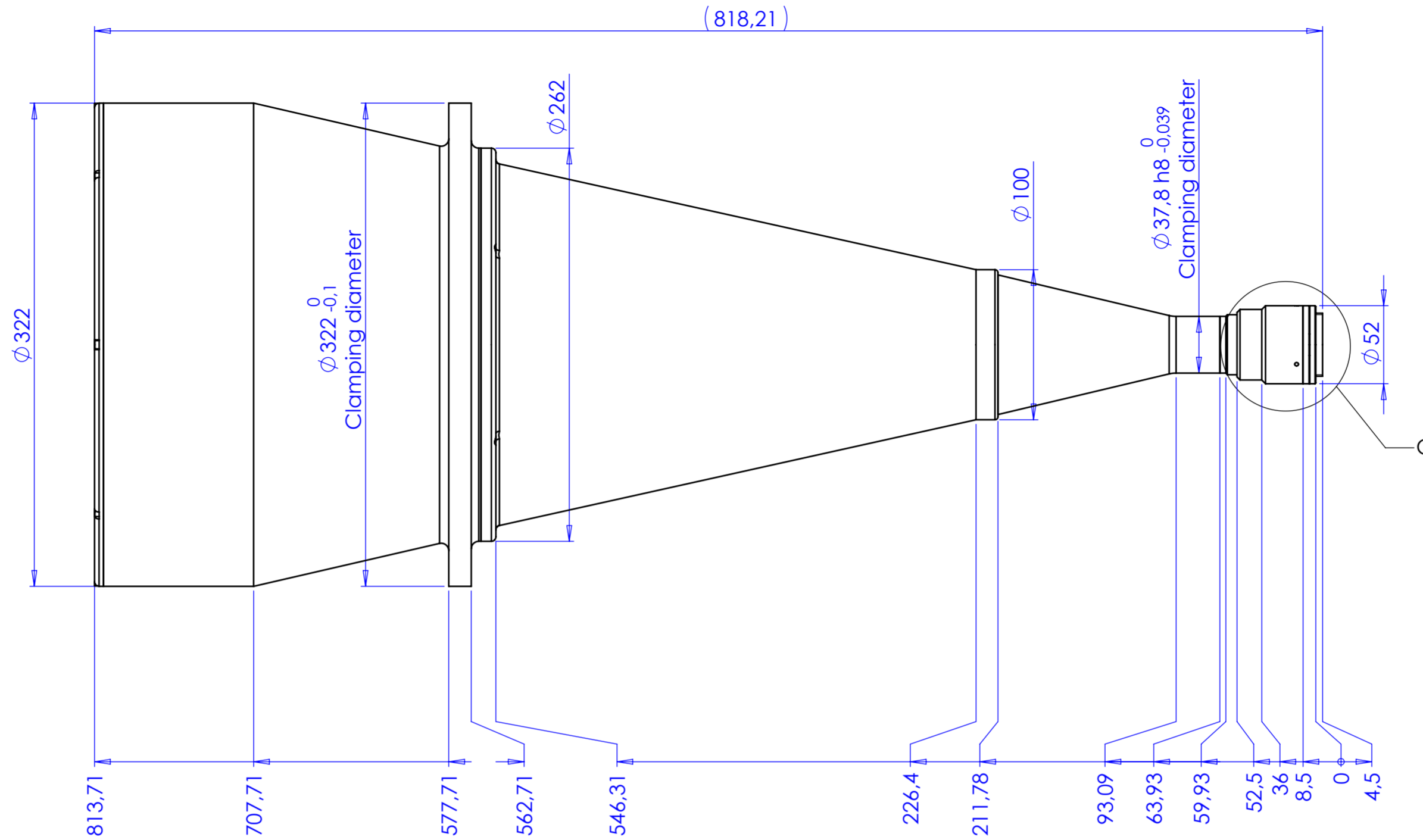
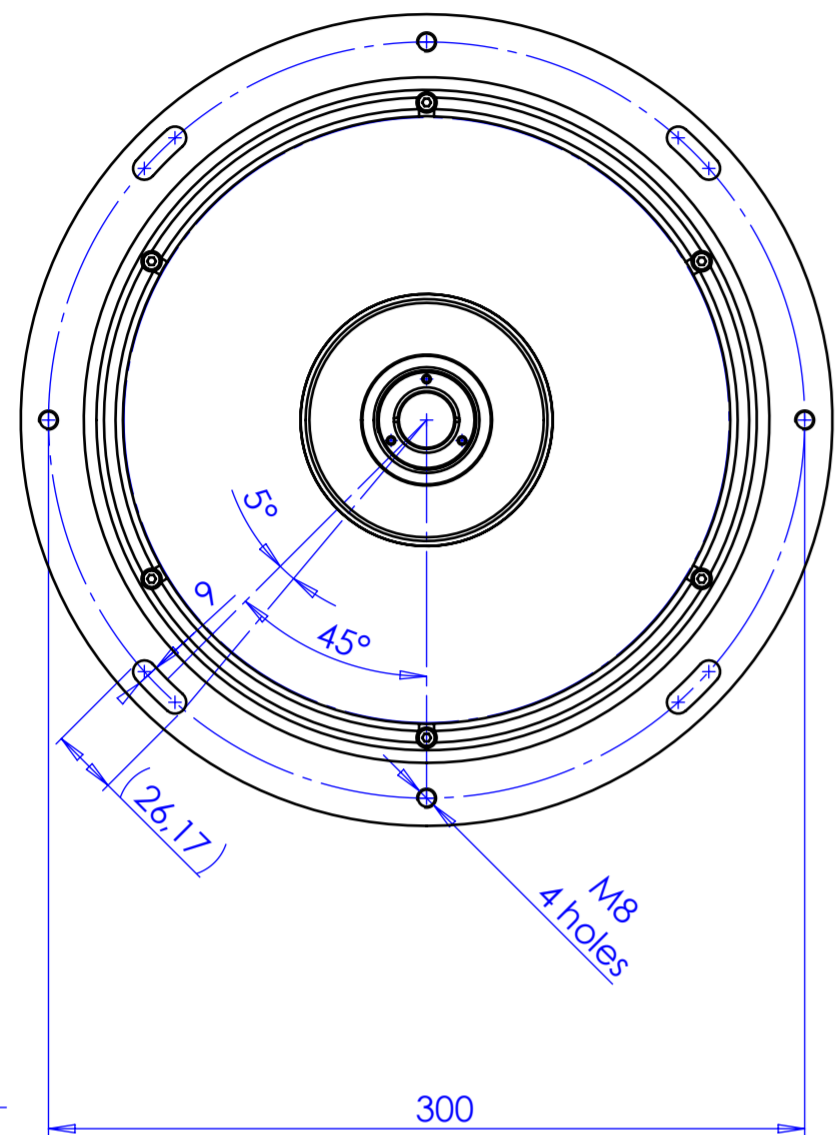


| Rev No. | Description | Date | Name |
|---------|-----------------|------------|------------|
| B | Variazione nome | 08/07/2014 | Vasconetto |



| | | | | | | | | | | |
|-------------------------------------------------------------------------------------------|-------|------------|----------------------|---------|-------------|------------|-------|------------|-------------|-------|
| Material | N.A. | Mass | 18455 g | Scale | 1:3 | | | | | |
| Surface treatment | N.A. | Part No. | CO71419 | | | | | | | |
| Geometrical tolerance (ISO 2768-2) | Class | K | Undimensioned bevels | 0.5x45° | Description | | | | | |
| Linear tolerance (ISO 2768-2) | Class | m | Undimensioned radii | R 0.5 | TC2MHR240-E | | | | | |
| 0.5 | >3+ | >6+ | >30+ | >120 | >400+ | >1000 | >2000 | >4000 | Drawing No. | Sheet |
| +3 | 6 | 30 | 120 | +400 | 1000 | +2000 | +4000 | DP 71419-B | | |
| +0.1 | +0.1 | +0.2 | +0.3 | +0.5 | +0.8 | +1.2 | +2 | | Date | |
| Designed | | 04/04/2014 | | Name | | Vasconetto | | Date | | |
| Drawn | | 05/06/2014 | | Name | | Rodella | | Date | | |
| Checked | | | | Name | | | | Date | | |
| OPTO ENGINEERING S.r.l. - Mantova Italy - Tel. +39 0376 699111 - www.opto-engineering.com | | | | | | | | | | |

Secret and confidential - All rights reserved -
 No copy, dissemination or circulation is allowed unless
 specifically authorized in writing by OPTO ENGINEERING
 S.r.l. - Any violation shall be legally prosecuted.