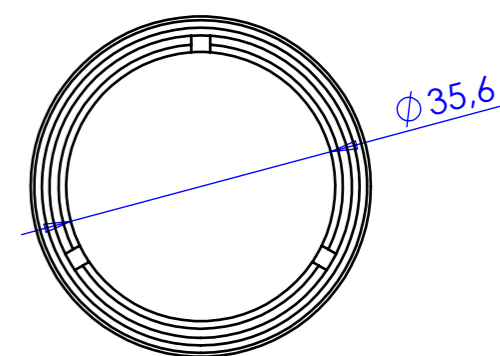


Rev No.	Description	Date	Name
B	Variazione nome	08/07/2014	Vasconetto

$\phi 44 \text{ h8 } -0,039^0$
Clamping diameter

$\phi 25,4$
C Mount
Flange - detector distance
17,52 mm

Phase adjustment



194,78
143,37
100,8
90,28
74,3
23,3
8,3
0
3,7

Material	N.A.			Mass	519 g	Scale	1:1
Surface treatment	N.A.			Part No.	CO71423		
Geometrical tolerance (ISO 2768-2)			Class	K	Description		
Linear tolerance (ISO 2768-2)			Class	m	Undimensioned bevels	0,5x45°	TC4MHR024-C
0,5 ±3	>3± 6	>6± 30	>30± 120	>120 ±400	>400± 1000	>1000 ±2000	
±0,1	±0,1	±0,2	±0,3	±0,5	±0,8	±1,2	±2
Undimensioned radii			R 0,5		Drawing No.		
 OPTO ENGINEERING S.r.l. - Mantova Italy - Tel. +39 0376 699111 - www.opto-engineering.com			Date	Name	Sheet		
			Designed	04/04/2014	Vasconetto	DP 71423-B	
			Drawn	05/06/2014	Rodella	1/1	
Checked					<i>Secret and confidential - All rights reserved - No copy, dissemination or circulation is allowed unless specifically authorized in writing by OPTO ENGINEERING S.r.l. - Any violation shall be legally prosecuted.</i>		

all dimensions are in mm

0 1 2 3 4 5 6 7 8 9 10