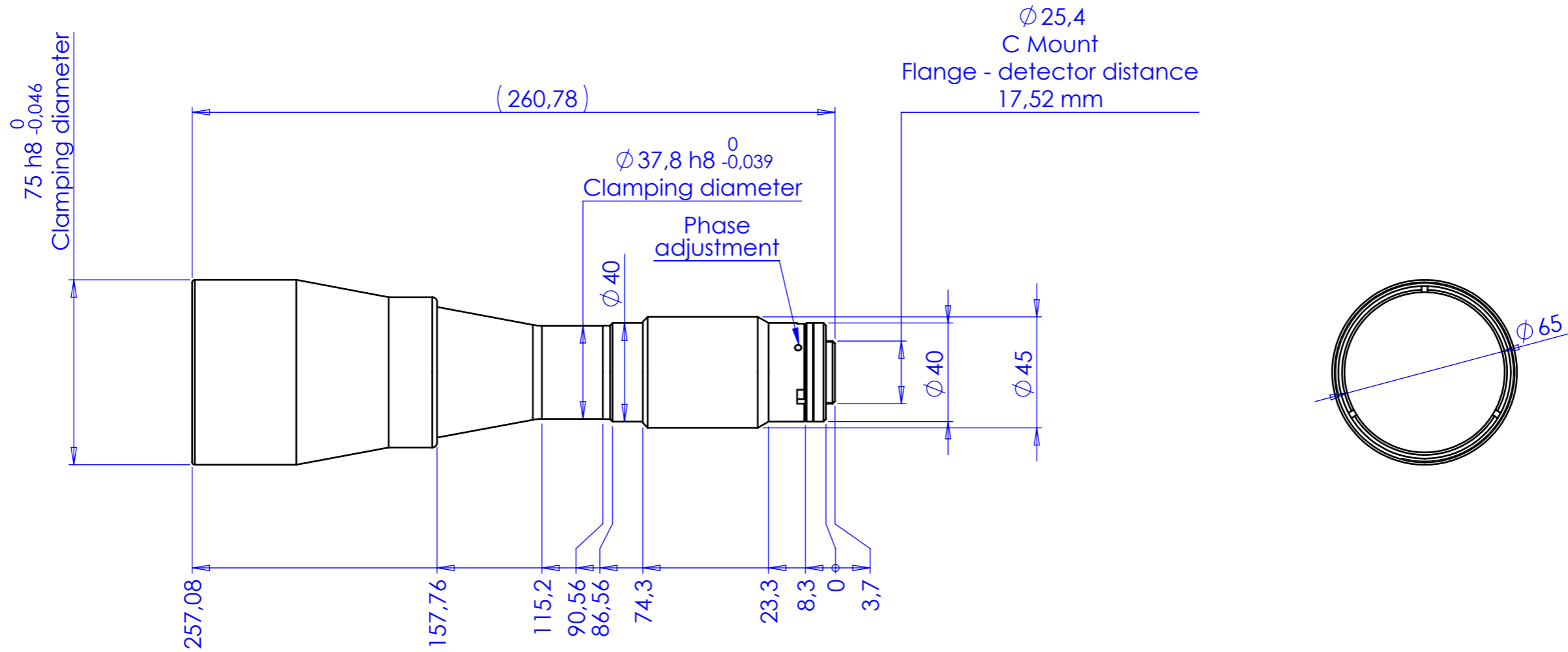


Rev No.	Description	Date	Name
B	Variazione nome	08/07/2014	Vasconetto



Material	N.A.			Mass	820 g	Scale	1:2	
Surface treatment	N.A.			Part No.	CO71429			
Geometrical tolerance (ISO 2768-2)			Class	K	Description			
Linear tolerance (ISO 2768-2)			Class	m	Undimensioned bevels	0,5x45°	TC4MHR048-C	
0,5 ±3	>3± 6	>6± 30	>30± 120	>120 ±400	>400± 1000	>1000 ±2000		>2000 ±4000
±0,1	±0,1	±0,2	±0,3	±0,5	±0,8	±1,2	±2	
Undimensioned radii			R 0,5		Drawing No.			
			Date	Name	Sheet			
			Designed	04/04/2014	Vasconetto	DP 71429-B		
			Drawn	05/06/2014	Rodella	1/1		
Checked			<i>Secret and confidential - All rights reserved - No copy, dissemination or circulation is allowed unless specifically authorized in writing by OPTO ENGINEERING S.r.l. - Any violation shall be legally prosecuted.</i>			OPTO ENGINEERING S.r.l. - Mantova Italy - Tel. +39 0376 699111 - www.opto-engineering.com		

all dimensions are in mm

A B C D

A B C D

1 2 3 4 5 6 7 8

1 2 3 4 5 6 7 8

0 1 2 3 4 5 6 7 8 9 10