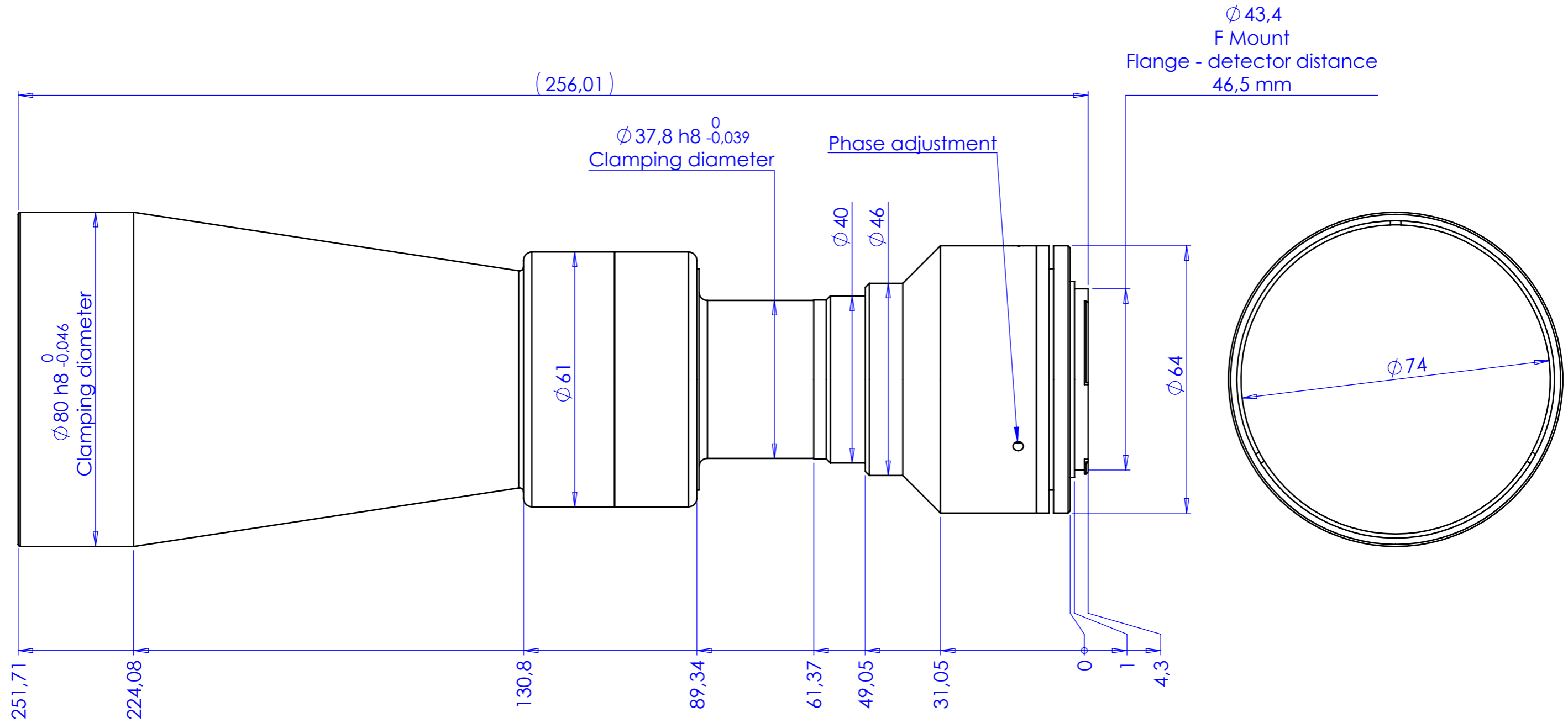


Rev No.	Description	Date	Name
B	Variazione nome	08/07/2014	Vasconetto



Material	N.A.			Mass	1127 g	Scale	1:1																									
Surface treatment	N.A.			Part No.	CO71433																											
Geometrical tolerance (ISO 2768-2)			Class	K	Undimensioned bevels	0.5x45°	Description TC4MHR056-F																									
Linear tolerance (ISO 2768-2)			Class	m	Undimensioned radii	R 0.5																										
<table border="1"> <tr> <td>0.5</td> <td>>3±</td> <td>>6±</td> <td>>30±</td> <td>>120</td> <td>>400±</td> <td>>1000</td> <td>>2000</td> </tr> <tr> <td>±3</td> <td>6</td> <td>30</td> <td>120</td> <td>±400</td> <td>±1000</td> <td>±2000</td> <td>±4000</td> </tr> <tr> <td>±0.1</td> <td>±0.1</td> <td>±0.2</td> <td>±0.3</td> <td>±0.5</td> <td>±0.8</td> <td>±1.2</td> <td>±2</td> </tr> </table>			0.5	>3±	>6±	>30±	>120	>400±	>1000	>2000	±3	6	30	120	±400	±1000	±2000	±4000	±0.1	±0.1	±0.2	±0.3	±0.5	±0.8	±1.2	±2			Date	Name	Drawing No.	Sheet
0.5	>3±	>6±	>30±	>120	>400±	>1000	>2000																									
±3	6	30	120	±400	±1000	±2000	±4000																									
±0.1	±0.1	±0.2	±0.3	±0.5	±0.8	±1.2	±2																									
Designed		04/04/2014	Vasconetto		DP 71433-B	1/1																										
Drawn		05/06/2014	Rodella																													
Checked																																
all dimensions are in mm OPTO ENGINEERING S.r.l. - Mantova Italy - Tel. +39 0376 699111 - www.opto-engineering.com																																
<i>Secret and confidential - All rights reserved - No copy, dissemination or circulation is allowed unless specifically authorized in writing by OPTO ENGINEERING S.r.l. - Any violation shall be legally prosecuted.</i>																																