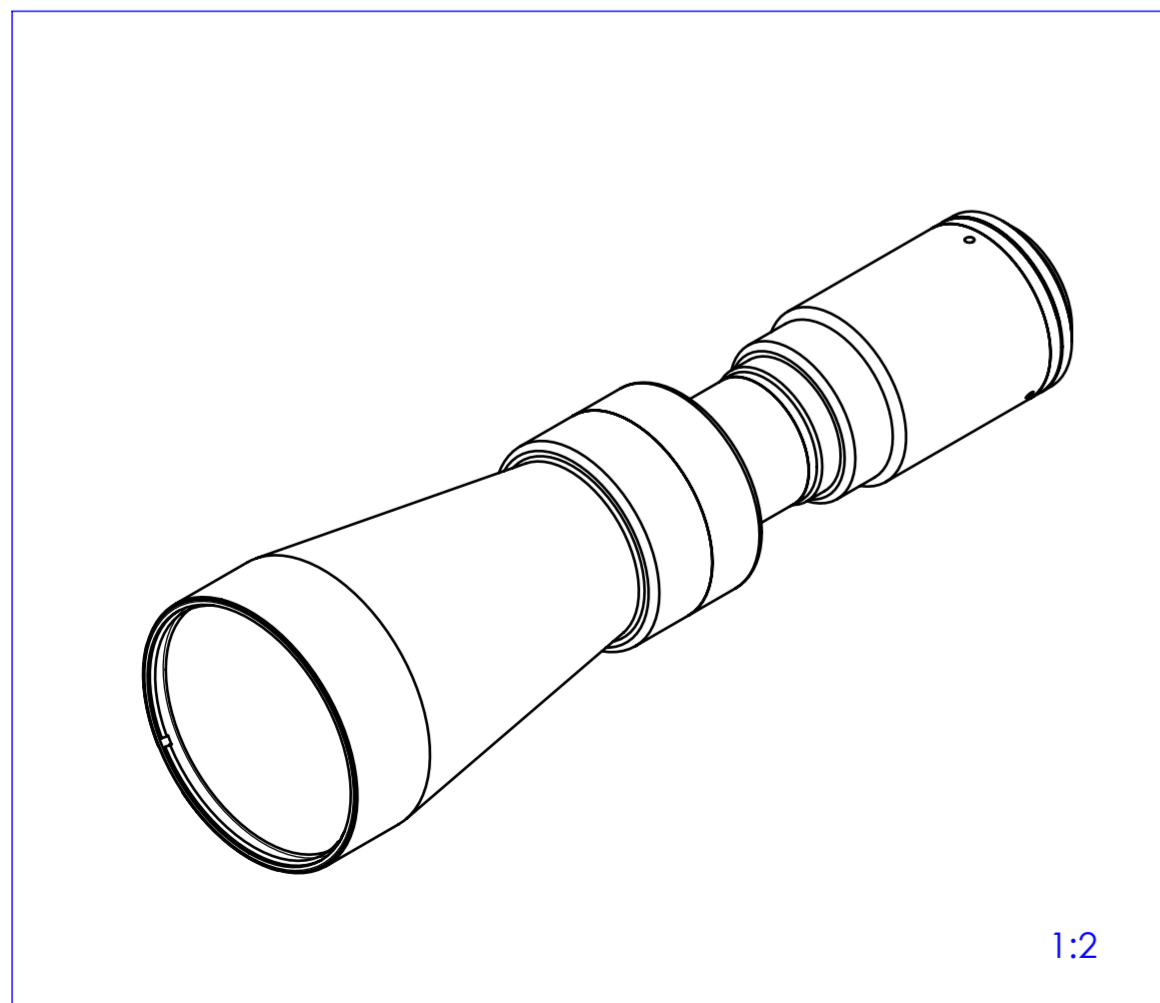
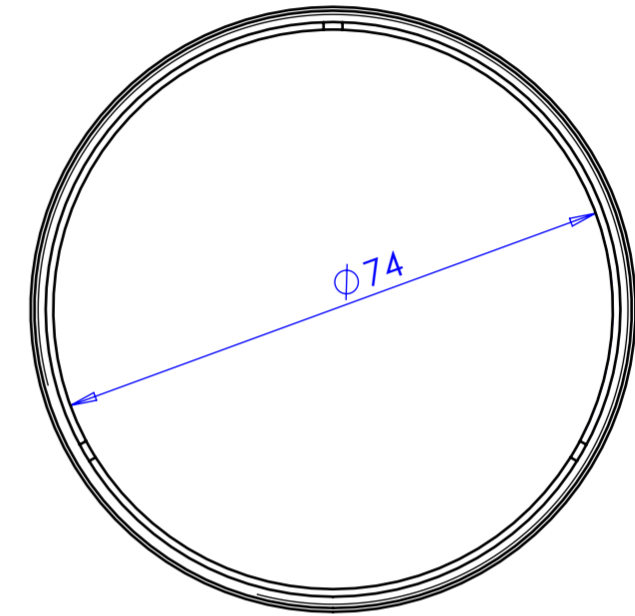
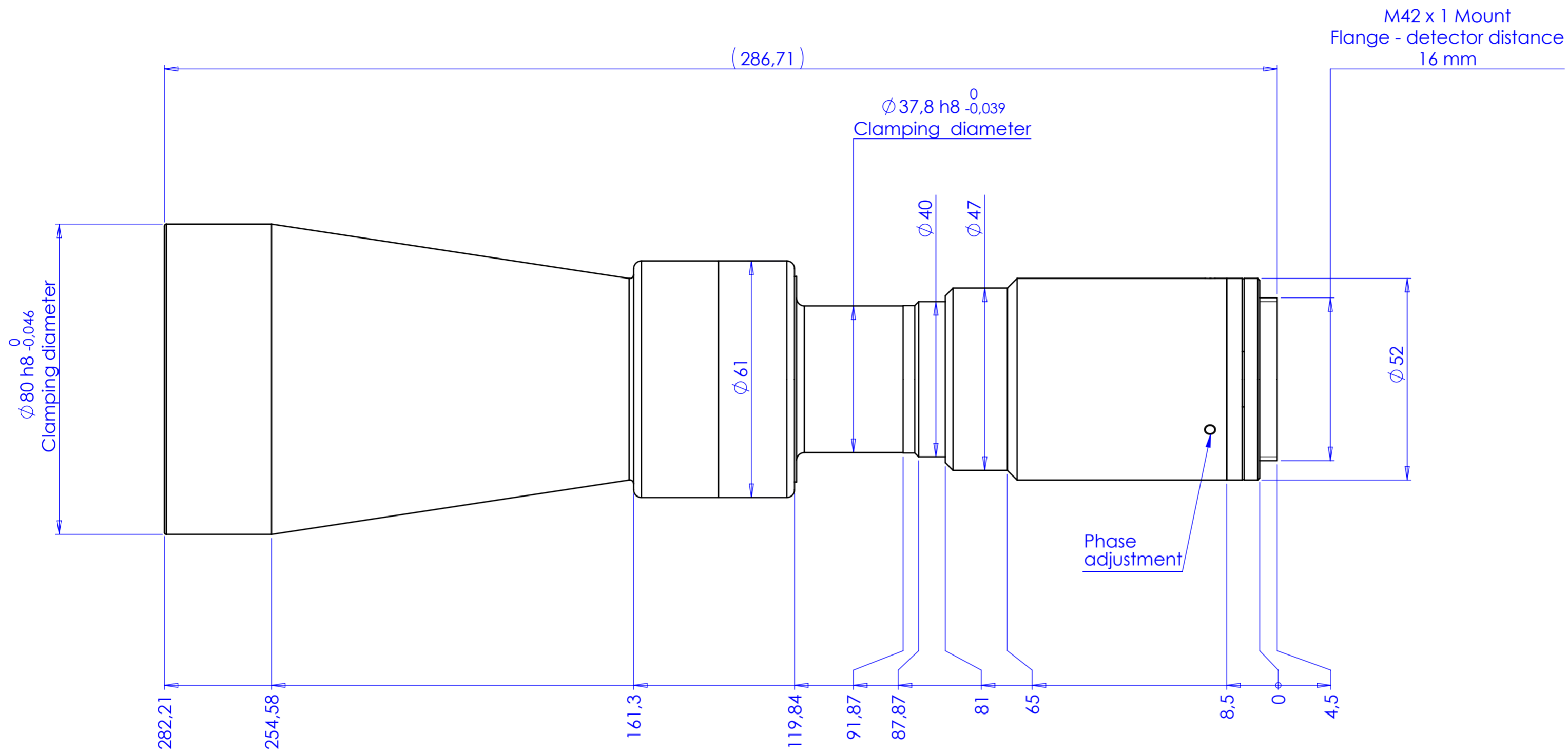


Rev No.	Description	Date	Name
B	Variazione nome	08/07/2014	Vasconetto



Material	N.A.	Mass	1109 g	Scale	1:1		
Surface treatment	N.A.	Part No.	CO71434				
Geometrical tolerance (ISO 2768-2)	Class	K	Undimensioned bevels	0,5x45°	Description		
Linear tolerance (ISO 2768-2)	Class	m	Undimensioned radii	R 0,5	TC4MHR056-E		
0,5	>3+	>6+	>30+	>120	>400+	>1000	>2000
+3	6	30	120	+400	1000	+2000	+4000
±0,1	±0,1	±0,2	±0,3	±0,5	±0,8	±1,2	±2
Designed		Date	Name				
Drawn		04/04/2014	Vasconetto				
Checked		05/06/2014	Rodella				
Drawing No.		DP 71434-B		Sheet	1/1		