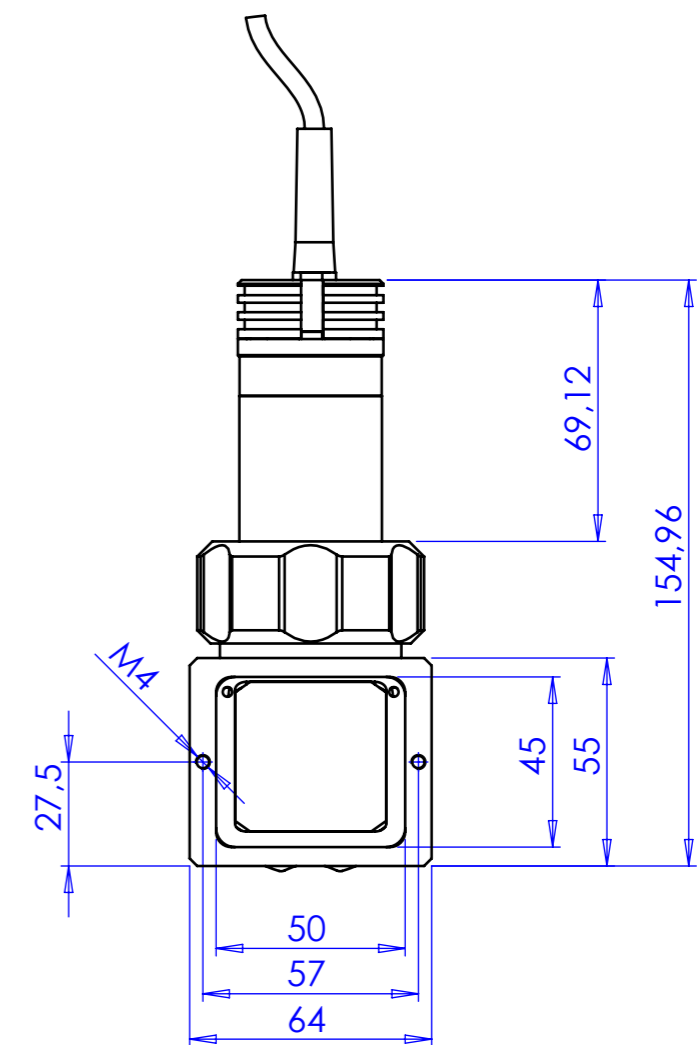
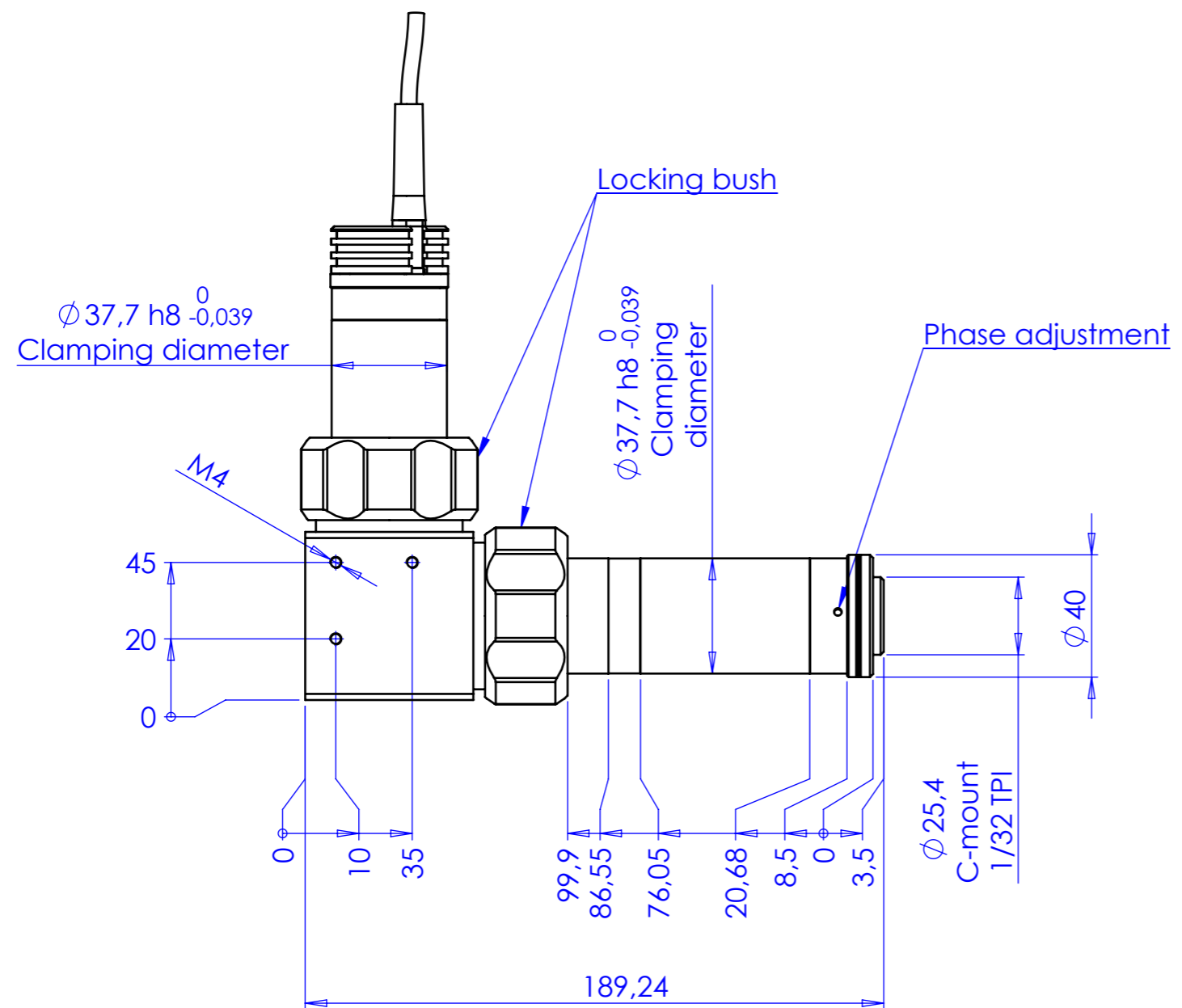



Rev No.	Description	Date	Name
B	approvazione	15/07/2014	Rodella



Material		N.A.		Mass		982 g		Scale		1:2							
Surface treatment		N.A.		Part No.		CO71654											
Geometrical tolerance (ISO 2768-2)								Class		K							
Linear tolerance (ISO 2768-2)								Class		m							
0.5	>3±	>6±	>30±	>120	>400±	>1000	>2000	Undimensioned bevels	0.5x45°								
±3	6	30	120	±400	1000	±2000	±4000	Undimensioned radii	R 0.5								
±0.1	±0.1	±0.2	±0.3	±0.5	±0.8	±1.2	±2	Description		TCCXQ050-W							
 OPTO ENGINEERING <small>THE TELECENTRIC COMPANY</small>								Date		Name		Drawing No.		Sheet			
								Designed		03/07/2014		Rodella		DP 71654-B		1/1	
								Drawn		04/07/2014		Rodella					
OPTO ENGINEERING S.r.l. - Mantova Italy - Tel. +39 0376 699111 - www.opto-engineering.com								<small>Secret and confidential - All rights reserved - No copy, dissemination or circulation is allowed unless specifically authorized in writing by OPTO ENGINEERING S.r.l. - Any violation shall be legally prosecuted.</small>									

