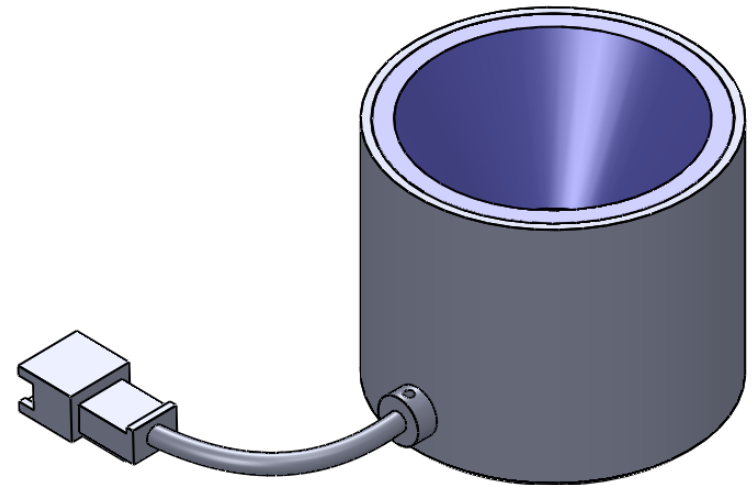
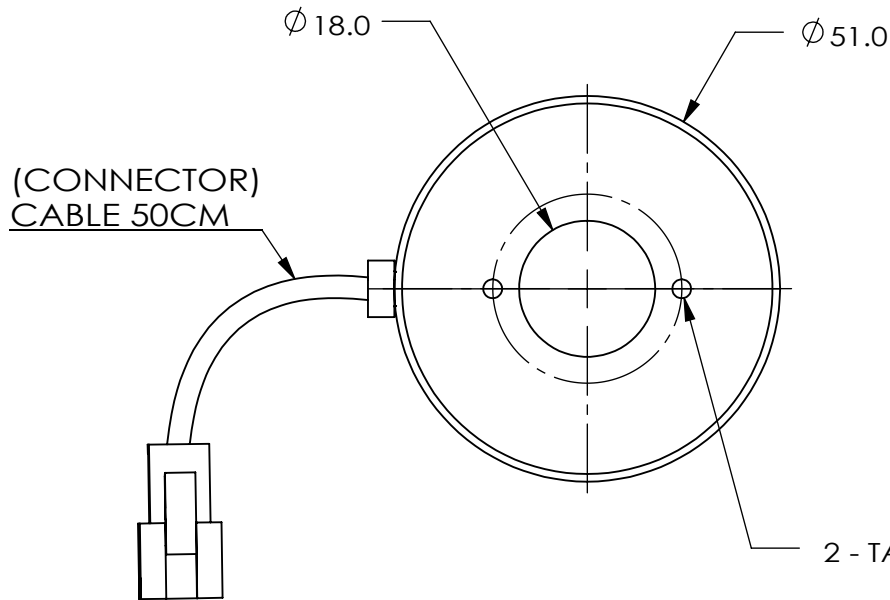
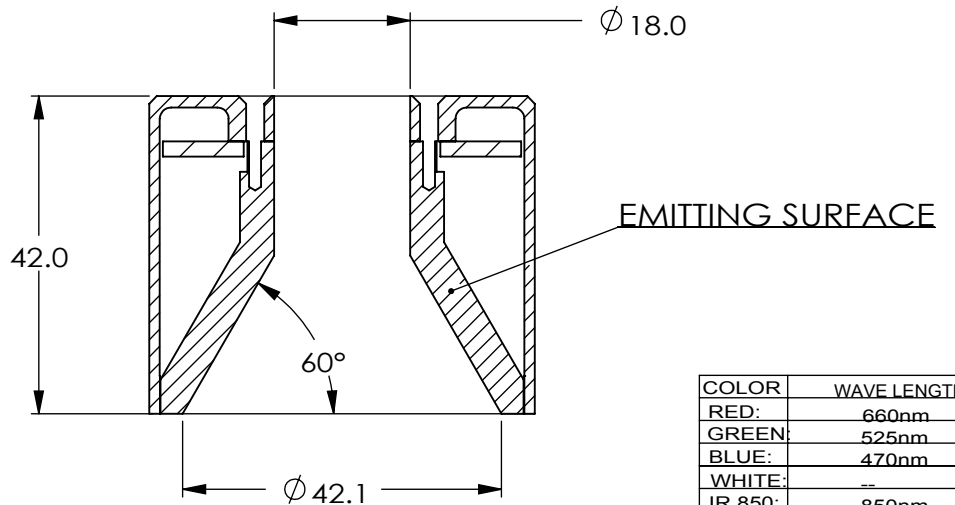
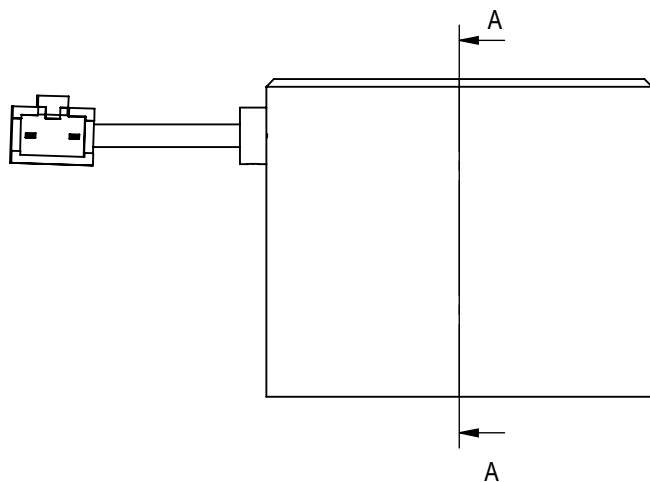


REVISIONS				
ZONE	REV.	DESCRIPTIONS	DATE	APP.



2 - TAP M3 ∇ 5 N.S AT ϕ 25 PCD



COLOR	WAVE LENGTH
RED:	660nm
GREEN:	525nm
BLUE:	470nm
WHITE:	--
IR 850:	850nm
IR 940:	940nm
UV:	380-385nm
RGB:	660nm/525nm/470nm

DESIGN BY	CC OOI	UNIT:	PRODUCT SERIES: DLR SERIES					
CHECK BY	EH-LOH	MM						
DATE	04/12/2012	REVISION:						
MATERIAL	-	02	TITLE	DRAWING LAYOUT	COLOUR:	-	-	-
FINISHING	-	SCALE:	PART NO	DLR2-60-050-2-X-24V	VOLTAGE:	-	-	-
QTY	-	1 : 1	DWG NO	-	CURRENT:	-	-	-
					POWER:	-	-	-
					SHEET 1 OF 1			

