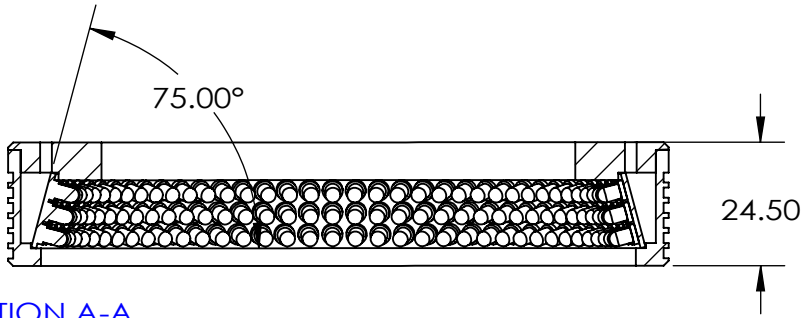
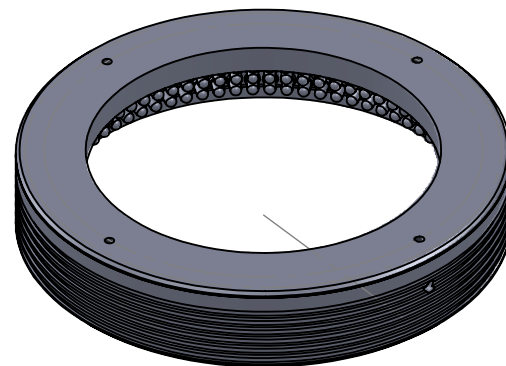
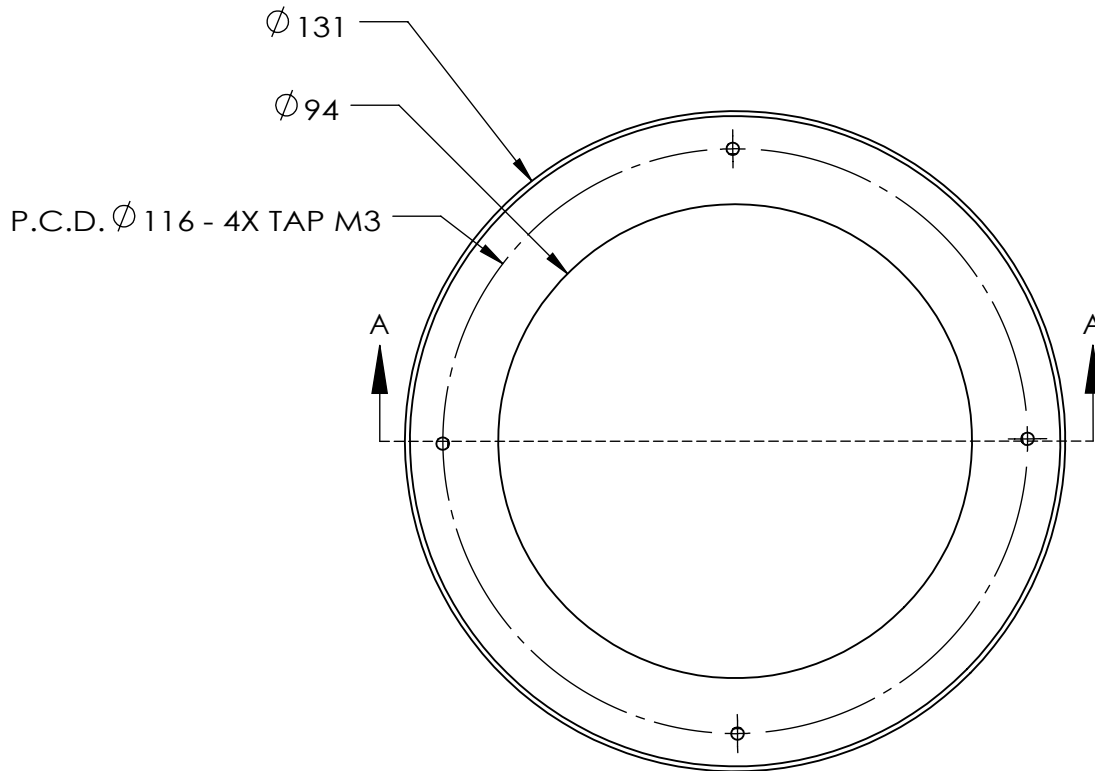


REVISIONS				
ZONE	REV.	DESCRIPTIONS	DATE	APP.



COLOR	WAVE LENGHT
RED:	620nm
GREEN:	525nm
BLUE:	470nm
WHITE:	-
IR 850:	850nm
IR 940:	940nm
UV:	380-385nm
RGB:	620nm/525nm/470nm



DESIGN BY	DS CHAN	UNIT:	PRODUCT SERIES: LLA SERIES		
CHECK BY	DS CHAN	MM			
DATE	25/08/2014	REVISION:			
MATERIAL	-	01	TITLE	DRAWING LAYOUT	
FINISHING	-	SCALE:	PART NO	LLA-75-130-3-X-24V (REV 01)	
QTY	-	2 : 3	DWG NO	-	
			COLOUR:	-	-
			VOLTAGE:	-	-
			CURRENT:	-	-
			POWER:	-	-
			SHEET 1 OF 1		