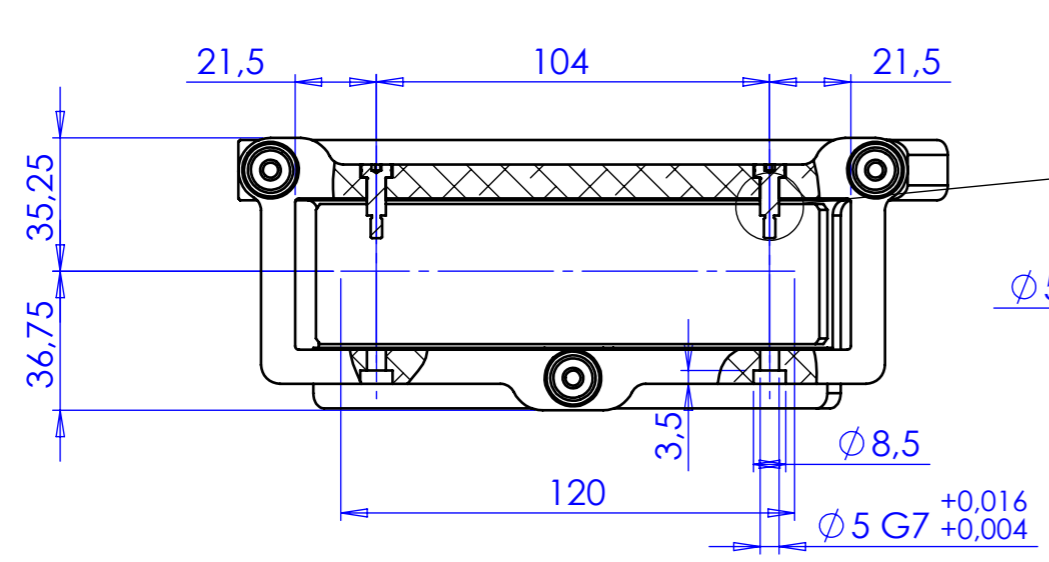
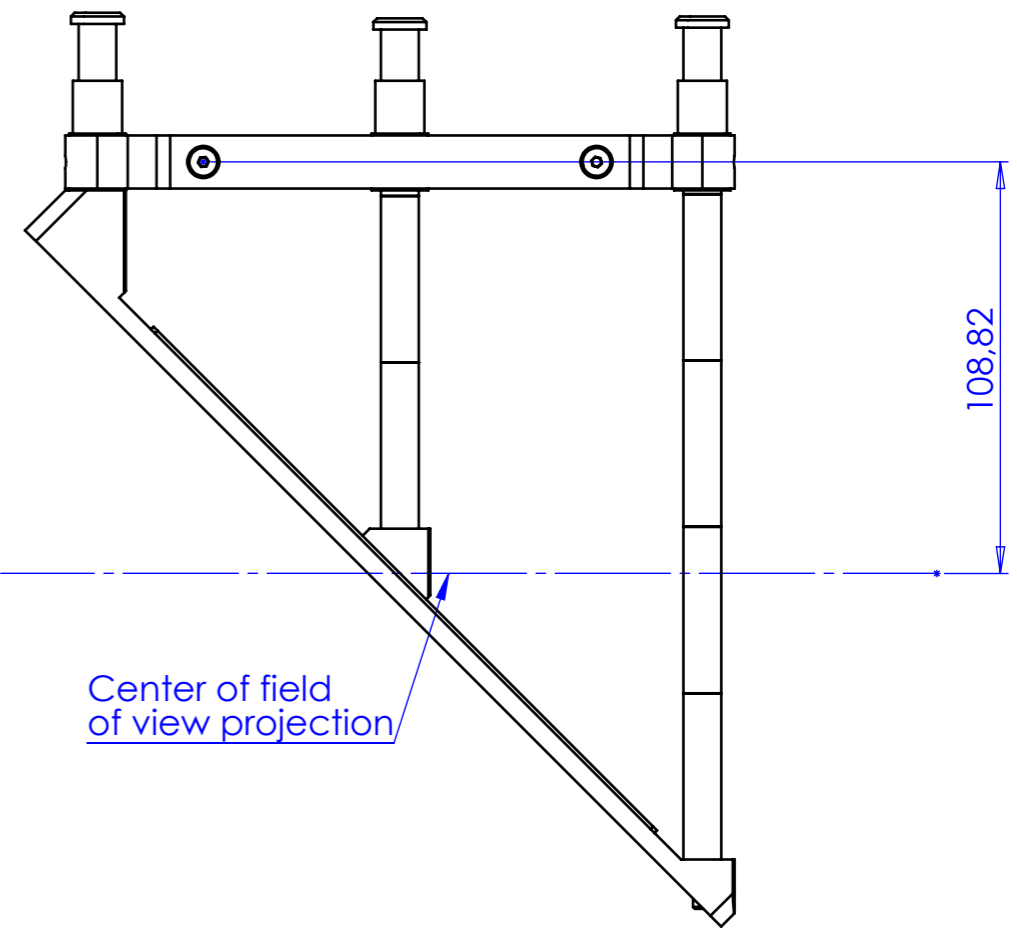
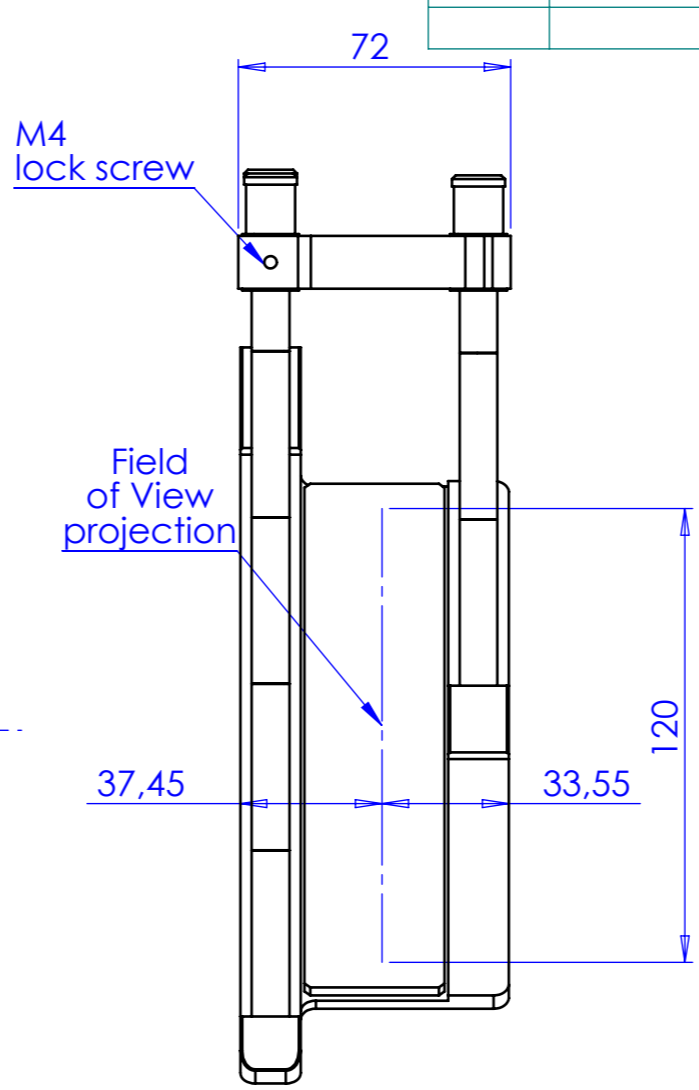
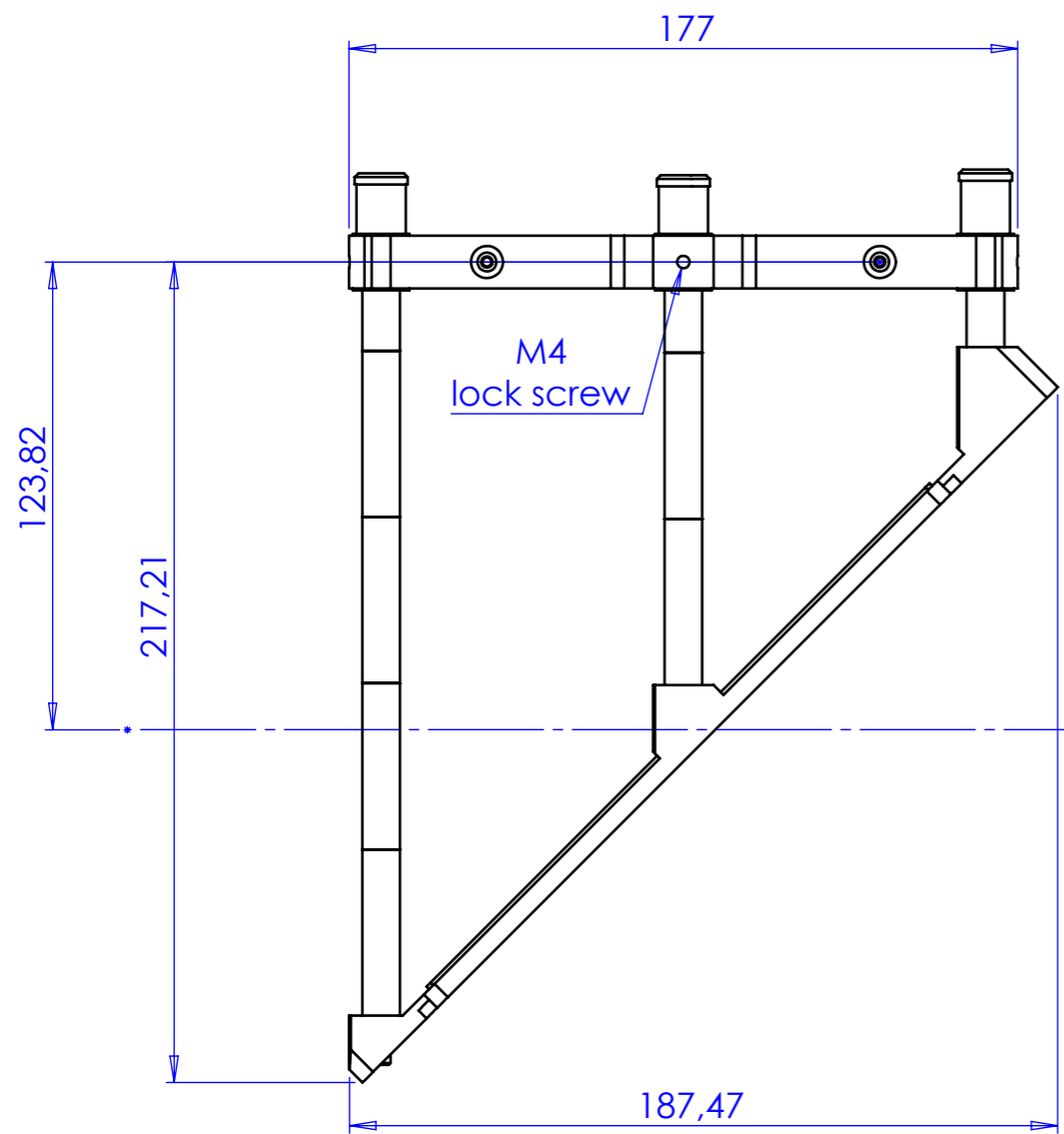


Rev No.	Description	Date	Name



Material	N.A.		Mass	645 g	Scale	1:2
Surface treatment	N.A.		Part No.	CO22527		
Geometrical tolerance (ISO 2768-2)	Class	K	Undimensioned bevels	0,5x45°		
Linear tolerance (ISO 2768-2)	Class	m	Undimensioned radii	R 0,5		
0,5 ±3	>3± 6	>6± 30	>30± 120	>120 ±400	>400± 1000	>1000 ±2000
±0,1	±0,1	±0,2	±0,3	±0,5	±0,8	±1,2
>2000 ±4000	±2		Date			
		Date		Name		Drawing No.
OPTO ENGINEERING S.r.l. - Mantova Italy - Tel. +39 0376 699111 - www.opto-engineering.com		Designed	30/06/2014	Vasconetto		Sheet 1/1
all dimensions are in mm		Drawn	01/07/2014	Vasconetto		
all dimensions are in mm		Checked				
Description CMMR4K120-L			Drawing No. DP 22527-A			
Secret and confidential - All rights reserved - No copy, dissemination or circulation is allowed unless specifically authorized in writing by OPTO ENGINEERING S.r.l. - Any violation shall be legally prosecuted.						

