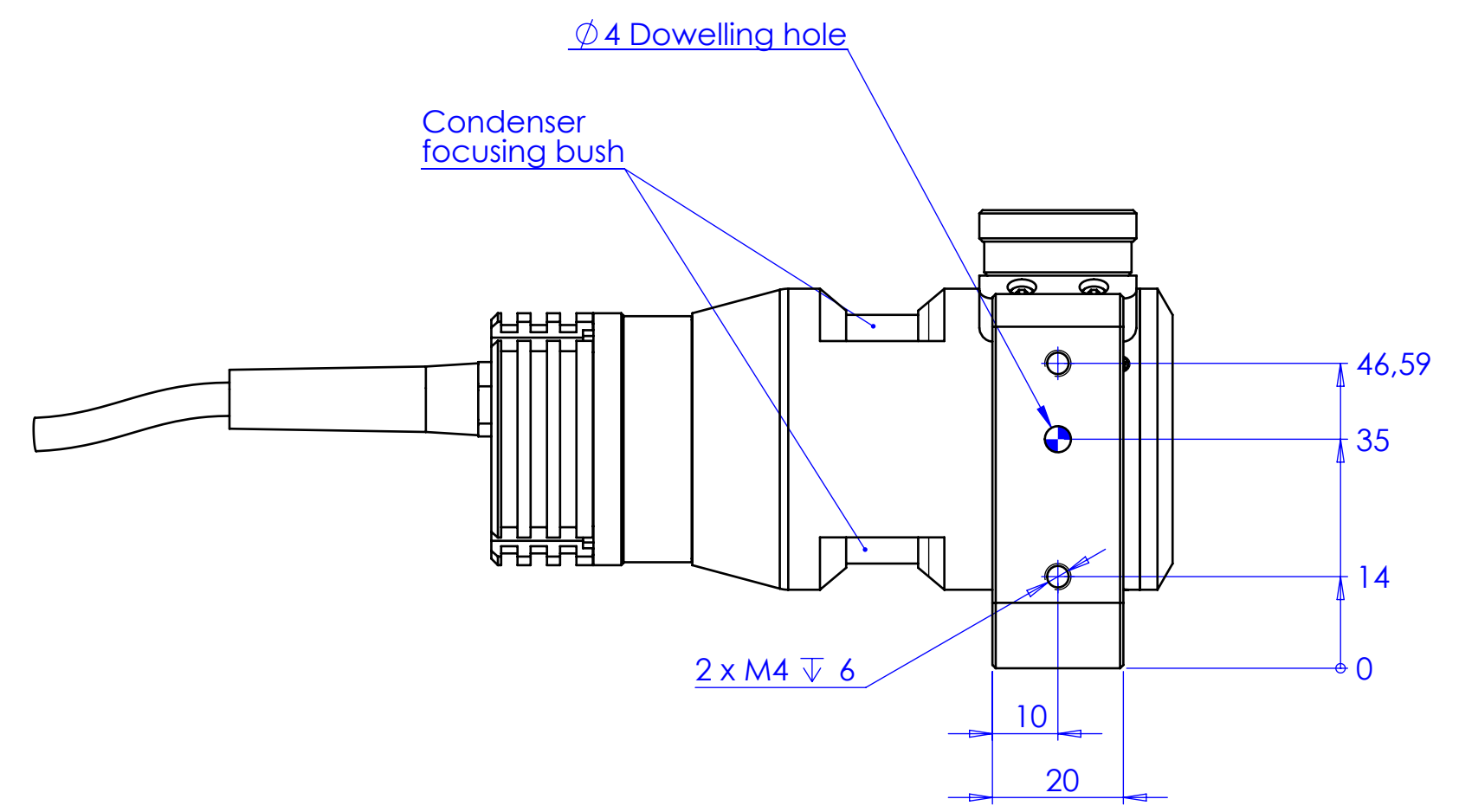
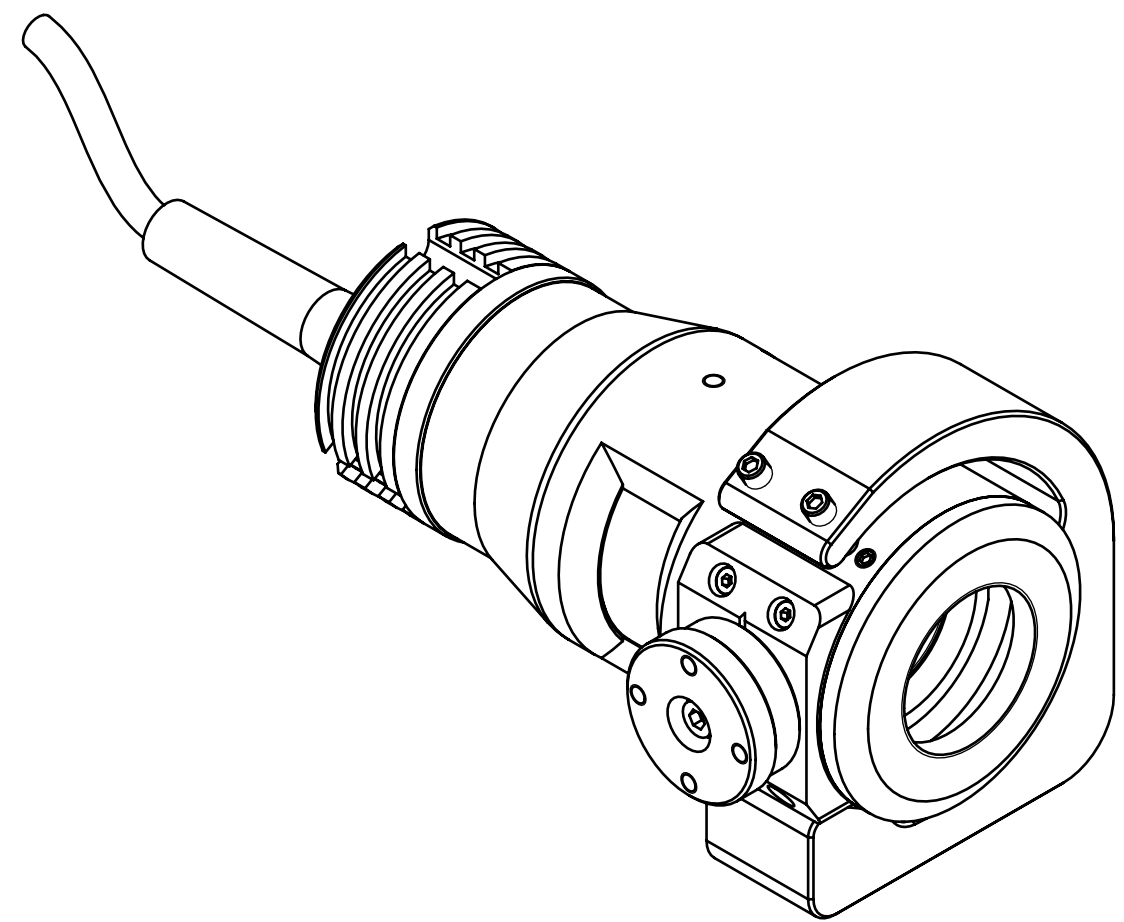
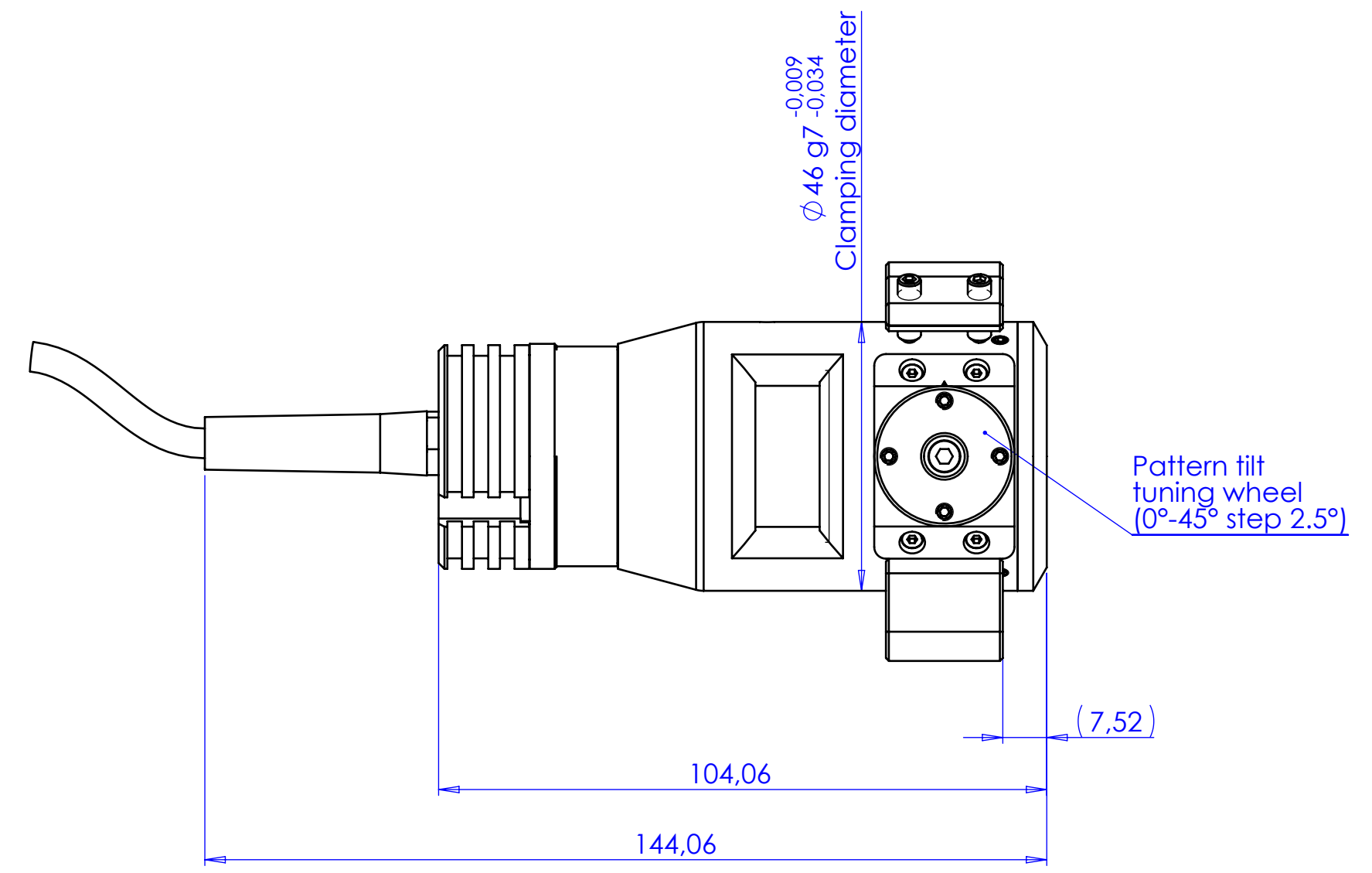
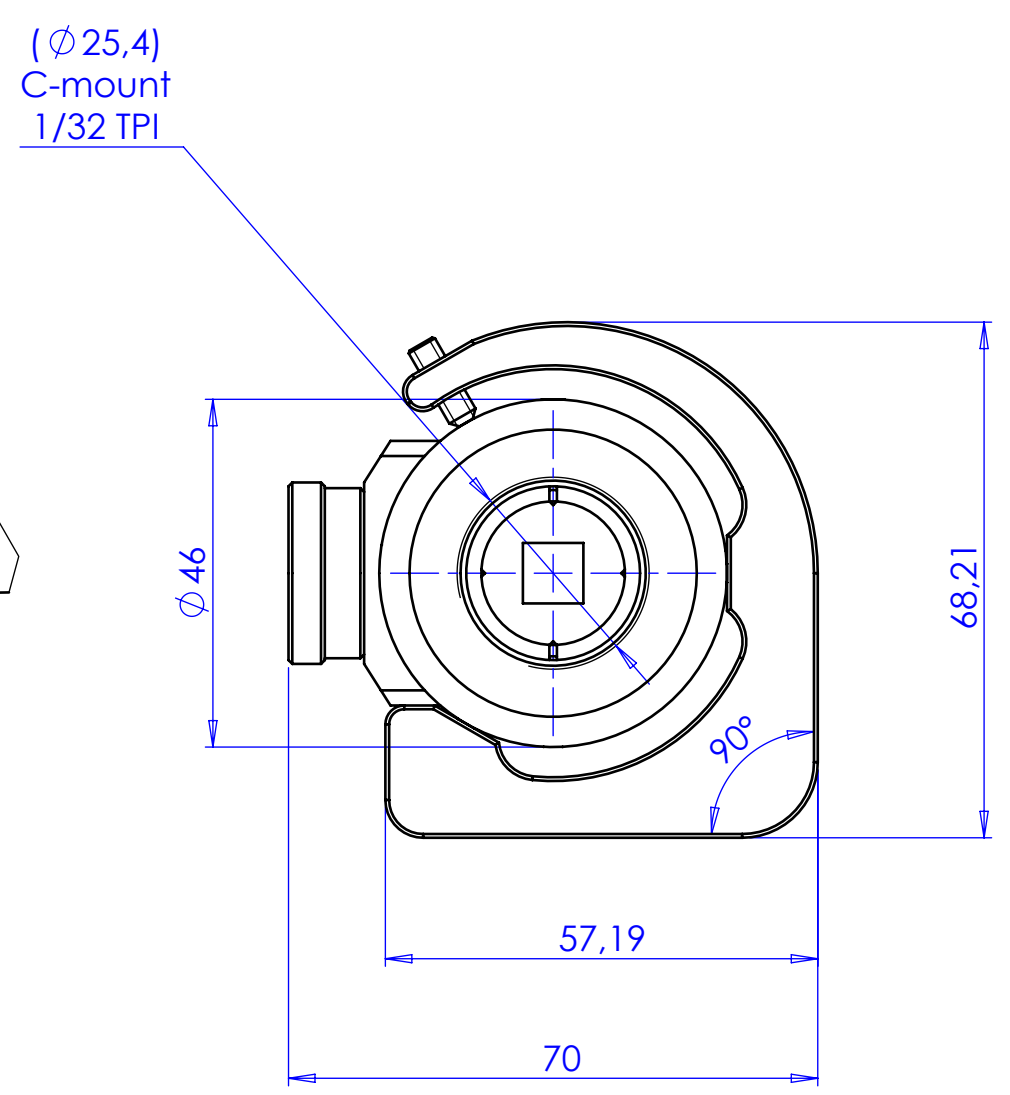
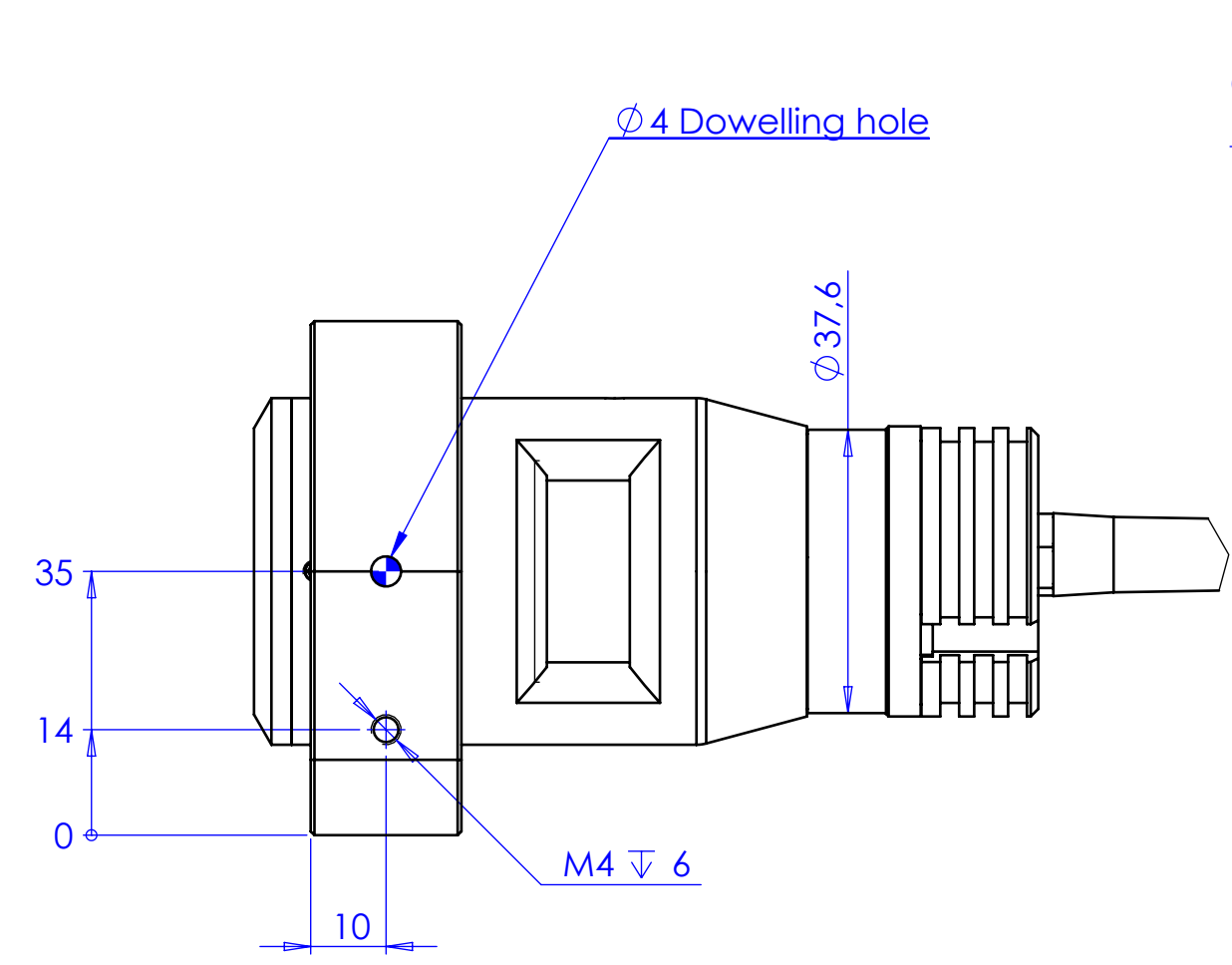


Rev No.	Description	Date	Name



⊕ ∅ 0.1



Material	N.A.	Mass	316 g	Scale	1:1					
Surface treatment	N.A.	Part No.	CO71570							
Geometrical tolerance (ISO 2768-2)	Class	K	Undimensioned bevels	0,5x45°	Description <b>LTPRSMHP3W-W</b>					
Linear tolerance (ISO 2768-2)	Class	m	Undimensioned radii	R 0,5						
0,5 +3	>3+	>6+	>30+	>120	>400+	>1000	>2000	>4000	Drawing No. <b>DP 71570-A</b>	Sheet <b>1/1</b>
±0,1	±0,1	±0,2	±0,3	±0,5	±0,8	±1,2	±2			
		Date	Name	Drawing No. <b>DP 71570-A</b>						
Designed 10/07/2014 Drawn 10/07/2014 Checked		10/07/2014	Santini Rodella	Secret and confidential - All rights reserved - No copy, dissemination or circulation is allowed unless specifically authorized in writing by OPTO ENGINEERING S.r.l. - Any violation shall be legally prosecuted.						
OPTO ENGINEERING S.r.l. - Mantova Italy - Tel. +39 0376 699111 - www.opto-engineering.com										

all dimensions are in mm